

---

Super High-speed 1T 8051 Core Flash MCU, 4 Kbytes SRAM, 32 Kbytes Flash, 0~4 Kbytes LDRAM, 6 Kbytes Independent LDRAM, 27-channel high sensitivity TouchKey circuits, 12-bit ADC, 14-channel 16-bit PWM, 5 Timers, MDU, UART, 3-channel USCI, CRC Check Module

---

## 1 General Description

SC95F8575/8573/8572/8571 (hereinafter referred to as the SC95F857X) is a series of enhanced 1T 8051 core industry-standard Flash Microcontroller unit (MCU) with integrated TouchKey function, the instruction set is compatible with the standard 8051 series.

The SC95F857X has a Super-high-speed 1T8051 CPU core with an operating frequency of up to 32 MHz. At the same operating frequency, its execution speed is about twice that of other 1T8051.

The SC95F857X integrates a hardware multiplier and divider hardware CRC and dual DPTR data pointers to accelerate data operations and movement speed. The hardware multiplier and divider and hardware CRC does not occupy CPU cycles, and the operation is implemented by hardware, and the speed is faster than the multiplication and division speed realized by software; dual DPTR data pointers can be used to accelerate data storage and movement.

The SC95F857X has high performance and reliability, with a wide operating voltage of 2.0V~5.5V, a super-wide operating temperature of -40°C to 105°C, and has good ESD performance and EFT anti-interference ability. Using the industry-leading eFlash process, the Flash can be written more than 100,000 times, and can be stored for 100 years at room temperature.

The SC95F857X has a built-in low power consumption WDT Watchdog Timer. It has a 4-level selectable voltage LVR low voltage reset function and a system clock monitoring function. It has low power consumption capability in operation and power-down modes. Under normal operating mode: about 4.5mA@32M at 5V.

The SC95F857X series is also integrated with super rich hardware resources: built-in 27-channel (high sensitivity) touchkey circuits, 32 Kbytes Flash ROM, SRAM: internal 256 bytes+ external 4 Kbytes+ PWM RAM, 6 Kbytes EEPROM, up to 30 GP I/O (all gradable control), 13 IO can be externally interrupted, 5 16-bit timers, 14-channel 16-bit PWM:8-channel multi-function dead zone complementary PWM, 6 channel PWM output of timer, 1 UART, 3 USCI (UART/SPI/TWI), Built-in LCD/LED hardware driver, internal  $\pm 1\%$  high-precision high-frequency 32/16/8/4 MHz oscillator and  $\pm 4\%$  precision low-frequency 32 kHz oscillator, external 2~16MHz resources such as high frequency crystal oscillators. 13 channels 12-bit high precision ADC.

The SC95F857X is very convenient for development and debugging, with ISP (In-System Programming), ICP (In-Circuit Programming) and IAP (In-Application Programming). Allow the chip to debug and upgrade the program memory directly on the circuit board when the chip is online or powered.

The SC95F857X has very excellent anti-jamming performance and excellent touchkey performance. It is very suitable for various applications about touchkey and main control system, such as Intelligent home appliances and Intelligent House System, Internet of things, wireless communication, game consoles and other industrial controls, and Consumer application areas.

## 2 Features

### Operating Conditions

- Voltage Range: 2.0V~5.5V
- Temperature Range: -40°C ~ +105°C

### CPU

- Super-high-speed 1T 8051 core
- The instruction set compatible with 8051
- The execution speed is about twice that of other 1T 8051
- Double data pointers (DPTRs)

### Flash ROM

- 32 Kbytes Flash ROM
- Can be rewritten 100,000 times
- APROM area allowed IAP operation in Flash can be set to 0K/1K/2K/All APROM by Code Option.

### LDROM

- BootLoader code memory
- LDROM area can be set to 0K/1K/2K/4K by Code Option

### EEPROM

- Independent 6K bytes EEPROM
- Can be rewritten 100,000 times, has more than 100-year preservation life in the ambient temperature of 25°C

### SRAM

- 256 bytes on-chip direct access RAM
- 4 Kbytes on-chip Indirect access RAM
- PWM RAM

### Flash Programming and Emulation

- 2-wire JTAG programming and emulation interface

### System clock ( $f_{\text{SYS}}$ )

- Built-in high frequency 32 MHz oscillator ( $f_{\text{HRC}}$ )
  - can be selected and set by the programmer as: 32/16/8/4 MHz@2.0~5.5V



- Frequency Error: Within  $\pm 1\%$  @  $-40 \sim 105^{\circ}\text{C}$  @  $2.0 \sim 5.5\text{V}$

**Built-in high-frequency crystal oscillator circuit:**

- Can be connected with external 2~16MHz oscillator
- As the system clock source,  $f_{\text{SYS}}$  has the programmer option to use one of the four frequency splits of external crystal / 1/2/4/8
- The built-in system clock monitoring circuit. If you select a crystal oscillator as the system clock source and the crystal oscillator circuit stops, the system clock source automatically switches to the built-in HRC and stays in this state until reset next time

**Built-in low-frequency 32 kHz oscillator (LRC):**

- used as the clock source for Base Timer and wake up STOP
- used as the clock source for WDT
- Frequency Error: After the register correction, within  $\pm 4\%$  @  $-20 \sim 85^{\circ}\text{C}$  @  $4.0 \sim 5.5\text{V}$

**Low-voltage Reset (LVR)**

- 4 options of reset voltage: 4.3/3.7/ 2.9/1.9V
- the default value can be selected by the Code Option

**Interrupts (INT)**

- Timer 0~Timer 4, INT0~2, ADC, PWM, UART, USCI0~2, Base Timer, TK 16 interrupt sources
- External interrupt contains 3 interrupt vectors, 13 interrupt ports. All can set up rising edge, falling edge, dual edge interrupt.
- Two-level interrupt priority capability

**Digital Peripheral**

- GPIO: Up to 30 bidirectional independently controllable I/O ports
  - Independent setting of pull-up resistors
  - ALL GPIO source drive capacity is controlled by four levels
  - All IO ports have large sink current drive capability (50mA)
- Built-in WDT, optional clock frequency division ratio
- 5 Timers: Timer0~4
  - Time2, Timer3 and Timer4 have Capture function
  - Time2, Timer3 and Timer4 each can provide two conventional PWM
- 6-channel 16-bit conventional PWM



- Time2、Timer3 and Timer4 each can provide two conventional PWM
- 8-channel 16-bit multi-function PWM
  - Public cycle and the duty cycle can be set separately
  - Complementary PWM waveforms with dead zones can be output
  - Models in pin packages of 20PIN and above support PWM Fault Detection (FLT)
- One independent UART communication port UART0
- 3 UART/SPI/TWI communication interfaces (USCI)
  - When USCI0 is set to SPI0, the driving capability of the pins corresponding to its signal port will be enhanced
- Built-in CRC check module
- Integrated with 16 \* 16-bit hardware Multiplier-Divide Unit (MDU)

#### **Analog Peripheral**

- 27-channel high sensitivity TouchKey circuit.
  - Applicable to TouchKey sensor, proximity induction and other TouchKey applications featuring high requirements on sensitivity
  - Have very strong anti-interference ability which is able to pass 10V dynamic CS test
  - Support low power consumption mode.
  - Complete development support: High-flexible touch software library, intelligent software of debugging.
  - TK high speed wake up STOP mode
- 13-channel 12-bit ADC
  - Build-in reference voltage of 2.048V, 1.024V and 2.4V
  - The ADC reference voltages is optional: VDD, internal 2.048V, internal 1.024V and 2.4V
  - 1 internal channel can measure the voltage of the power supply
  - ADC conversion complete interruption can be set

#### **Power Saving Mode**

- IDLE Mode: can be woken up by any interrupt
- STOP Mode: can be woken up by INT0~2 Base Timer and TK.



## Naming Rules for 95 Series Products

<b>Name</b>	SC	95	F	8	5	7	5	X	P	32	R
<b>S/R</b>	①	②	③	④	⑤	⑥	⑦	⑧	⑨	⑩	⑪

<b>S/R</b>	<b>Meaning</b>
①	SinOne Chip abbreviation
②	Name of product series
③	Product Type (F: Flash MCU)
④	Serial Number: 7: GP Series, 8: TK series
⑤	ROM Size: 1 for 2K, 2 for 4K, 3 for 8K, 4 for 16K, 5 for 32K and 6 for 64K
⑥	Subseries Number.: 0 ~ 9, A ~ Z
⑦	Number of Pins: 0: 8pin, 1: 16pin, 2: 20pin, 3: 28pin, 5: 32pin, 6: 44pin, 7: 48pin, 8: 64pin, 9: 100pin
⑧	Version:(default, B, C, D)
⑨	Package Type: (D: DIP; M: SOP; X: TSSOP; F: QFP; P: LQFP; Q: QFN; K: SKDIP)
⑩	Number of Pins.
⑪	Packaging Mode: (U: Tube; R: Tray; T: Reel)



## Ordering Information

PRODUCT ID	PACKAGE	PACK
SC95F8571M16U	SOP16	TUBE
SC95F8572M20U	SOP20	TUBE
SC95F8572X20U	TSSOP20	TUBE
SC95F8572Q20R	QFN20	TRAY
SC95F8573M28U	SOP28	TUBE
SC95F8573X28U	TSSOP28	TUBE
SC95F8573Q28R	QFN28	TRAY
SC95F8575P32R	LQFP32	TRAY
SC95F8575Q32R	QFN32	TRAY

## Contents

<b>1 GENERAL DESCRIPTION</b> .....	<b>1</b>
<b>2 FEATURES</b> .....	<b>2</b>
<b>NAMING RULES FOR 95 SERIES PRODUCTS</b> .....	<b>5</b>
<b>ORDERING INFORMATION</b> .....	<b>6</b>
<b>CONTENTS</b> .....	<b>7</b>
<b>3 PIN DESCRIPTION</b> .....	<b>11</b>
3.1 Pin Configuration .....	11
3.2 Pin Definition .....	15
<b>4 INNER BLOCK DIAGRAM</b> .....	<b>21</b>
<b>5 FLASH ROM AND SRAM</b> .....	<b>22</b>
5.1 APROM and LDROM .....	22
5.2 6K bytes independent EEPROM .....	23
5.3 96 bits Unique ID Area .....	23
5.3.1 Unique ID Read Operating Demo Program In C Language .....	24
5.4 User ID Area.....	25
5.5 Programming.....	25
5.5.1 JTAG Specific Mode .....	25
5.5.2 Normal Mode (JTAG specific port is invalid) .....	26
5.6 IAP (Application Programming) Progress .....	26
5.6.1 IAP Operation Related Register .....	28
5.6.2 IAP Operation process.....	32
5.6.3 IAP Operation notes .....	33
5.6.4 IAP Operating Demo Progress In C Progress .....	33
5.7 BootLoader .....	35
5.7.1 BootLoader Mode operation related registers .....	36
5.8 Encryption .....	42
5.9 Code Option Area (User Programming Settings) .....	43
5.9.1 Customer-Option-related Registers Operation Instructions .....	47
5.10 SRAM.....	48
5.10.1 Internal 256 Bytes SRAM .....	48
5.10.2 External 4096 bytes SRAM .....	50
5.10.3 External PWM SRAM .....	50
<b>6 SPECIAL FUNCTION REGISTER (SFR)</b> .....	<b>51</b>
6.1 SFR Mapping .....	51
6.2 SFR Instructions .....	52
6.2.1 SFR .....	52
6.2.2 PWM0 Duty Cycle Adjustment Register(R/W) .....	58
6.2.3 PWM2~4 Duty Cycle Adjustment Register(R/W).....	59
6.2.4 Introduction of Common Special Function Registers of 8051 Core.....	59

<b>7 POWER, RESET AND SYSTEM CLOCK .....</b>	<b>64</b>
7.1 Power Circuit .....	64
7.2 Power-on Reset .....	64
7.2.1 Reset Stage .....	64
7.2.2 Loading Information Stage .....	64
7.2.3 Normal Operation Stage .....	64
7.3 Reset Modes .....	64
7.3.1 External Reset .....	65
7.3.2 Low-voltage Reset LVR .....	66
7.3.3 Power-on Reset (POR) .....	66
7.3.4 Watchdog Reset (WDT) .....	66
7.3.5 Software Reset .....	68
7.4 High- frequency System Clock Circuit .....	69
7.5 Low- frequency RC Oscillator and Low- frequency Clock Timer .....	72
7.6 STOP Mode and IDLE Mode .....	74
<b>8 CPU AND INSTRUCTION SET .....</b>	<b>76</b>
8.1 CPU .....	76
8.2 Addressing Mode .....	76
8.2.1 Immediate Addressing .....	76
8.2.2 Direct Addressing .....	76
8.2.3 Indirect Addressing .....	77
8.2.4 Register Addressing .....	77
8.2.5 Relative Addressing .....	77
8.2.6 Indexed Addressing .....	77
8.2.7 Bits Addressing .....	78
<b>9 INTERRUPTS .....</b>	<b>79</b>
9.1 Interrupt Source and Vector .....	79
9.2 Interrupt Structure Diagram .....	82
9.3 Interrupt Priority .....	83
9.4 Interrupt Processing Flow .....	83
9.5 Interrupt-related SFR Registers .....	83
<b>10 TIMER/COUNTER T0 AND T1 .....</b>	<b>95</b>
10.1 T0 and T1-related Registers .....	95
10.2 T0 Operating Modes .....	100
10.3 T1 Operating Mode .....	102
<b>11 TIMER/COUNTER T2/T3/T4 .....</b>	<b>105</b>
11.1 T2/3/4-related Registers .....	105
11.2 Timer 2 .....	106
11.3 Timer 3 .....	110
11.4 Timer 4 .....	114
11.5 Timer 2/3/4 Operating Modes .....	117
11.5.1 Timer 2/3/4 Operating Modes .....	118



<b>12 PWM2/3/4</b> .....	<b>123</b>
12.1 PWM2/3/4 related Registers .....	123
12.2 PWM2/3/4 Duty Variation Characteristics .....	127
12.3 PWM2/3/4 Cycle Variation Characteristics .....	127
<b>13 PWM0</b> .....	<b>128</b>
13.1 PWM Structure Diagram .....	128
13.2 PWM0 General Configuration Register .....	130
13.2.1 PWM0 General Configuration Register .....	130
13.2.2 PWM0 Fault Detection Function Setting .....	136
13.3 PWM0 Independent Mode .....	139
13.3.1 PWM0 Independent Mode Block Diagram .....	139
13.3.2 PWM0 Independent Mode Duty Cycle Configuration .....	140
13.4 PWM0 Complementary Model .....	141
13.4.1 PWM0 Block Diagram of Complementary Mode .....	141
13.4.2 PWM0 Complementary Mode Duty Cycle Configuration .....	141
13.4.3 PWM Complementary Mode Dead Time Setting .....	142
13.4.4 PWM0 Dead Zone Output Waveform .....	143
13.5 PWM0 Waveforms and Directions .....	144
<b>14 GENERAL-PURPOSE I/O (GPIO)</b> .....	<b>146</b>
14.1 GPIO Structure Diagram .....	146
14.2 I/O Port-related Registers .....	148
<b>15 SERIAL INTERFACE (UART0)</b> .....	<b>155</b>
15.1 Baud Rate of Serial Communication .....	157
<b>16 SPI/TWI/UART SERIAL INTERFACE (USCI)</b> .....	<b>159</b>
16.1 SPI .....	162
16.1.1 SPI0/1/2 .....	162
16.2 TWI .....	170
16.2.1 Signal Description .....	176
16.2.2 Slave Operating Mode .....	177
16.2.3 Slave Mode Operation Steps .....	179
16.2.4 Master operating Mode .....	180
16.2.5 Master Mode Operation Steps .....	181
16.3 Serial Interface (UART) .....	183
<b>17 HIGH-SPEED ANALOG-TO-DIGITAL CONVERTER (ADC)</b> .....	<b>187</b>
17.1 ADC-related Registers .....	187
17.2 ADC Conversion Steps .....	193
<b>18 HIGH SENSITIVITY TOUCHKEY CIRCUITS</b> .....	<b>194</b>
18.1 Power Consumption of TouchKey Circuits .....	194
<b>19 CRC HARDWARE MODULE</b> .....	<b>195</b>
19.1 CRC Check Operation Related Registers .....	196



<b>20 MULTIPLIER-DIVIDER UNIT (MDU)</b> .....	<b>203</b>
<b>21 ELECTRICAL CHARACTERISTICS</b> .....	<b>206</b>
21.1 Absolute Maximum Ratings.....	206
21.2 Recommended Operating Conditions .....	206
21.3 Flash ROM Characteristics .....	207
21.4 DC Characteristics.....	207
21.5 AC Characteristics.....	212
21.6 ADC Characteristics .....	212
<b>22 APPLICATION CIRCUIT</b> .....	<b>215</b>
<b>23 PACKAGE INFORMATION</b> .....	<b>216</b>
<b>24 REVISION HISTORY</b> .....	<b>229</b>
<b>IMPORTANT NOTICE</b> .....	<b>230</b>

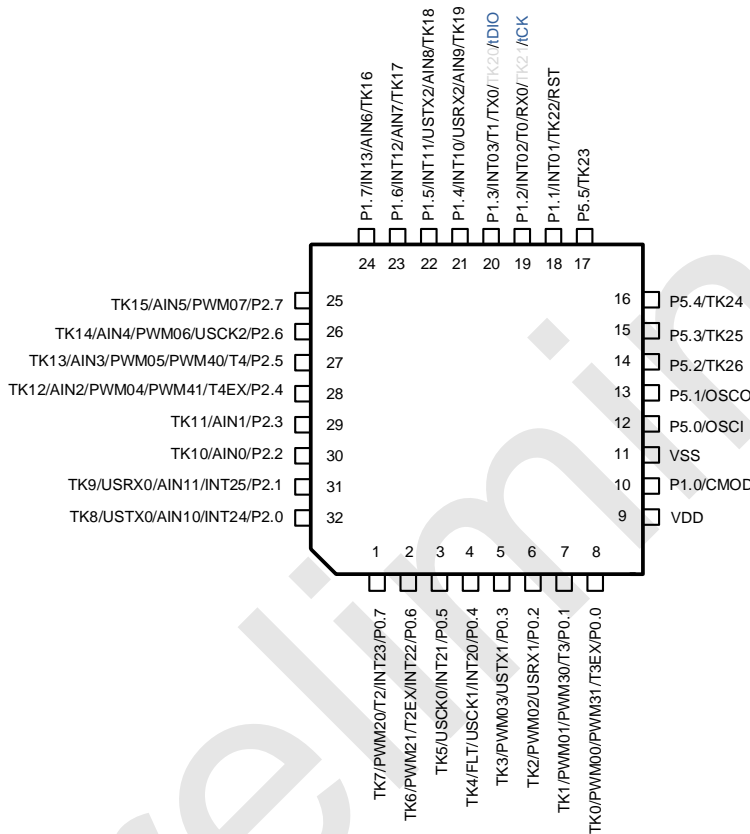
Preliminary



### 3 Pin Description

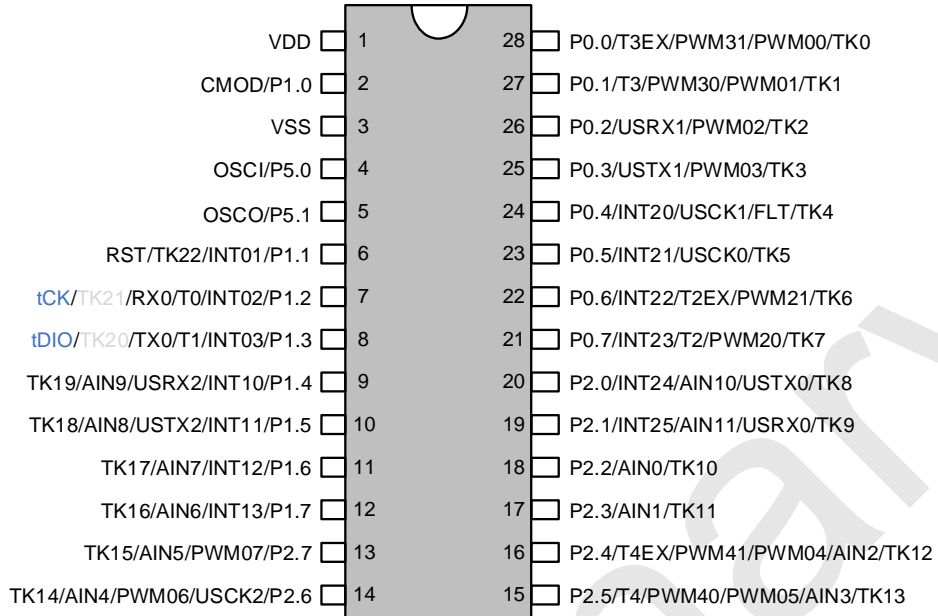
#### 3.1 Pin Configuration

Note: In consideration of multiplexing of TK20/TK21 and TK debugging communication ports of the SC95F857X, if it is required to use the TK debugging function, please avoid using TK20/TK21!



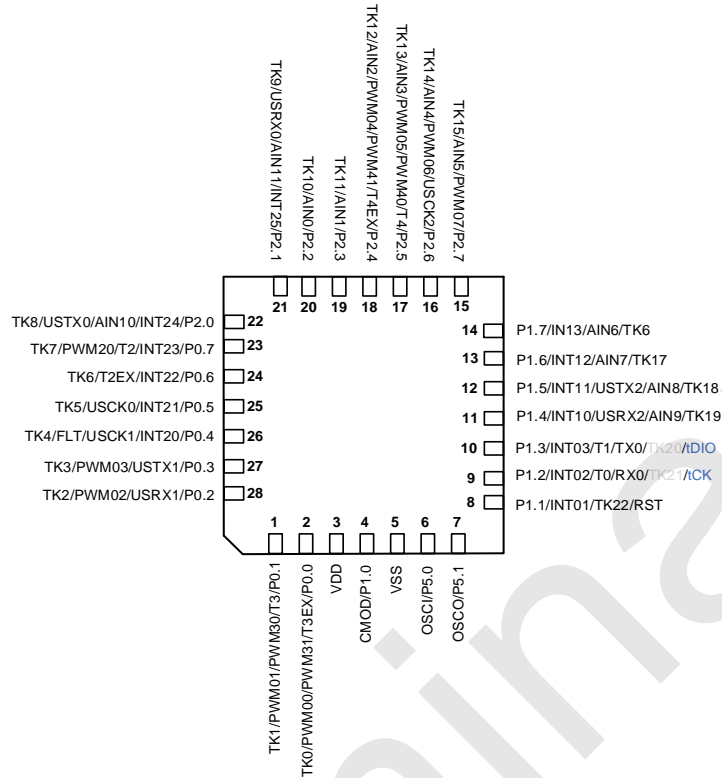
SC95F8575 Pin Diagram

Suitable for LQFP32 & QFN32 package



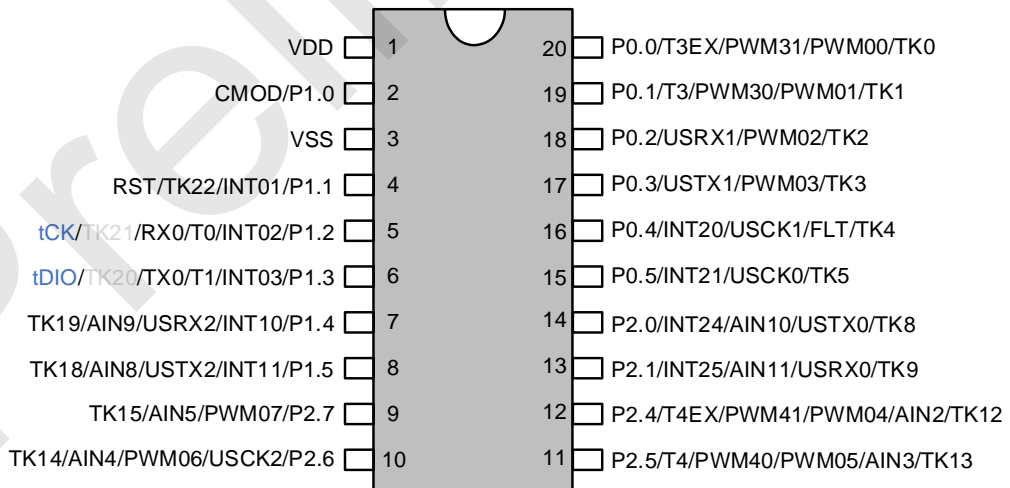
SC95F8573 Pin Diagram

Suitable for SOP28、TSSOP28 package



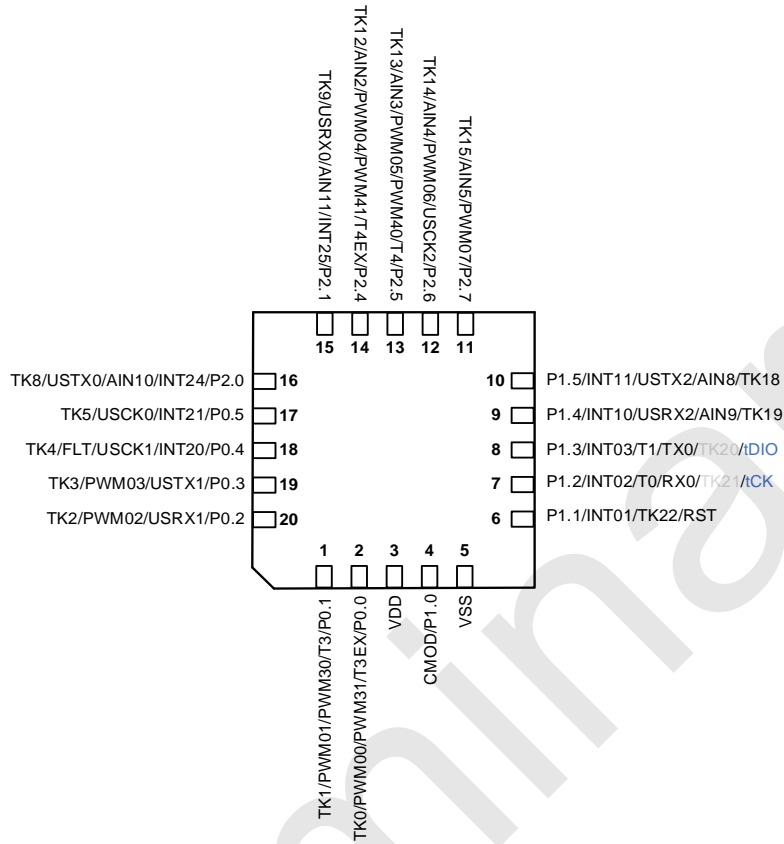
SC95F8573 Pin Diagram

Suitable for QFN28 package



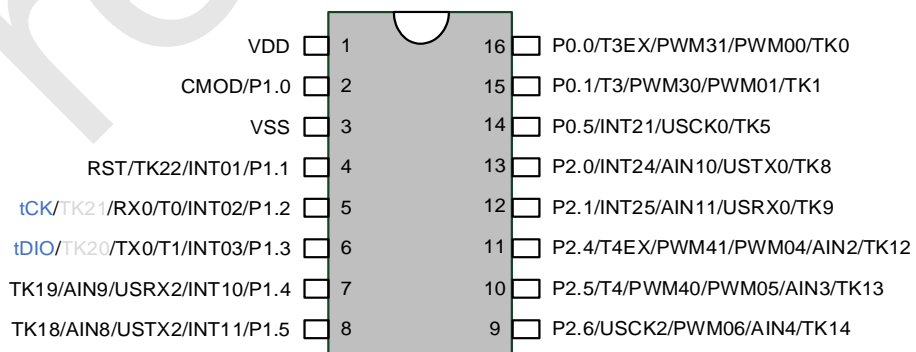
SC95F8572 Pin Diagram

Suitable for SOP20 & TSSOP20 package



SC95F8572 Pin Diagram

Suitable for QFN20 package



SC95F8571 管脚配置图

适用于 SOP16 封装



### 3.2 Pin Definition

Pin number						Pin Name	Type	Description
LQFP32 /QFN32	SOP28/ TSSOP28	SOP20/TS SOP20	SOP 16	QFN 28	QFN 20			
1	21	-	-	23	-	<b>P0.7/INT23/T2/PWM20/TK7</b>	I/O	P0.7: GPIO P0.7 INT23: Input 3 of external interrupt 2 T2: Counter 2 External Input PWM20: PWM20 Output TK7: TK Channel 7
2	22	-	-	24	-	<b>P0.6/INT22/T2EX/PWM21/TK6</b>	I/O	P0.6: GPIO P0.6 INT22: Input 2 of external interrupt 2 T2EX: Timer 2 External capture signal input PWM21: PWM21 Output TK6: TK Channel 6
3	23	15	14	25	17	<b>P0.5/INT21/USCK0/TK5</b>	I/O	P0.5: GPIO P0.5 INT21: Input 1 of external interrupt 2 USCK0: SCK of USCIO TK5: TK Channel 5
4	24	16	-	26	18	<b>P0.4/INT20/USCK1/FLT/TK4</b>	I/O	P0.4: GPIO P0.4 INT20: Input 0 of external interrupt 2 USCK1: SCK of USCK1 FLT: PWM fault detection input pin TK4: TK Channel 4
5	25	17	-	27	19	<b>P0.3/USTX1/PWM03/TK3</b>	I/O	P0.3: GPIO P0.3 USTX1: MOSI/SDA/TX of USC11



								PWM03: PWM03 Output TK3: TK Channel 3
6	26	18	-	28	20	P0.2/USRX1/PWM02/TK2	I/O	P0.2: GPIO P0.2 INT23: Input 3 of external interrupt 2 PWM20: PWM20 Output TK2: TK Channel 2
7	27	19	15	1	1	P0.1/T3/PWM30/PWM01/TK1	Power	P0.1: GPIO P0.1 T3: Counter 3 External Input PWM30: PWM30 Output PWM01: PWM01 Output TK1: TK Channel 1
8	28	20	16	2	2	P0.0/T3EX/PWM31/PWM00/TK0	I/O	P0.0: GPIO P0.0 T3EX: Counter 3 External capture signal input PWM31: PWM31 Output PWM00: PWM00 Output TK0: TK Channel 0
9	1	1	1	3	3	VDD	Power	Power source
10	2	2	2	4	4	P1.0/CMOD	I/O	P1.0: GPIO P1.0 CMOD: Touch Key external capacitor
11	3	3	3	5	5	VSS	Power	Ground
12	4	-	-	6	-	P5.0/OSCI	I/O	P5.0: GPIO P5.0 OSCI: External crystal oscillator input pin
13	5	-	-	7	-	P5.1/OSCO	I/O	P5.1: GPIO P5.1 OSCO: External crystal oscillator output pin





14	-	-	-	-	-	P5.2/TK26	I/O	P5.2: GPIO P5.2 TK26: TK Channel 26
15	-	-	-	-	-	P5.3/TK25	I/O	P5.3: GPIO P5.3 TK25: TK Channel 25
16	-	-	-	-	-	P5.4/TK24	I/O	P5.4: GPIO P5.4 TK24: TK Channel 24
17	-	-	-	-	-	P5.5/TK23	I/O	P5.5: GPIO P5.5 TK23: TK Channel 23
18	6	4	4	8	6	P1.1/INT01/TK22/RST	I/O	P1.1: GPIO P1.1 INT01: Input 1 of external interrupt 0 TK22: TK Channel 22 RST: Reset pin
19	7	5	5	9	7	P1.2/INT02/T0/RX0/TK21/tCK	I/O	P1.2: GPIO P1.2 INT02: Input 2 of external interrupt 0 T0: Counter 0 External Input RX0: UART0 Receive port TK21: TK Channel 21, if it is required to use the TK debugging function, please avoid using TK21! tCK: Programming and Emulation Clock Pin
20	8	6	6	10	8	P1.3/INT03/T1/TX0/TK20/tDIO	I/O	P1.3: GPIO P1.3 INT03: Input 3 of external interrupt 0 T1: Counter 1 External Input TX0: UART0 Transport port TK20: TK Channel 20, if it is required to use the TK debugging function, please avoid using TK20!



								tCK: Programming and Emulation Data Pin
21	9	7	7	11	9	P1.4/INT10/USRX2/AIN9/TK19	I/O	<p>P1.4: GPIO P1.4</p> <p>INT10: Input 0 of external interrupt 1</p> <p>USRX2: MISO/RX of USCI2</p> <p>AIN9: ADC input channel 9</p> <p>TK19: TK Channel 19</p>
22	10	8	8	12	10	P1.5/INT11/USTX2/AIN8/TK18	I/O	<p>P1.5: GPIO P1.5</p> <p>INT11: Input 1 of external interrupt 1</p> <p>USTX2: MISO/SDA/TX of USCI2</p> <p>AIN8: ADC input channel 8</p> <p>TK18: TK Channel 18</p>
23	11	-	-	13	-	P1.6/INT12/AIN7/TK17	I/O	<p>P1.6: GPIO P1.6</p> <p>INT12: Input 2 of external interrupt 1</p> <p>AIN7: ADC input channel 7</p> <p>TK17: TK Channel 17</p>
24	12	-	-	14	-	P1.7/IN13/AIN6/TK16	I/O	<p>P1.7: GPIO P1.7</p> <p>INT13: Input 3 of external interrupt 1</p> <p>AIN6: ADC input channel 6</p> <p>TK16: TK Channel 16</p>
25	13	9	-	15	11	P2.7/PWM07/AIN5/TK15	I/O	<p>P2.7: GPIO P2.7</p> <p>PWM07: PWM07 Output port</p> <p>AIN5: ADC input channel 5</p> <p>TK15: TK Channel 15</p>
26	14	10	9	16	12	P2.6/USCK2/PWM06/AIN4/TK14	I/O	<p>P2.6: GPIO P2.6</p> <p>USCK2: SCK of USCI2</p>



								PWM06: PWM06 Output port AIN4: ADC input channel 4 TK14: TK Channel 14
27	15	11	10	17	13	P2.5/T4/PWM40/PWM05/AIN3/TK13	I/O	P2.5: GPIO P2.5 T4: Counter 4 External Input PWM40: PWM40 Output port PWM05: PWM05 Output port AIN3: ADC input channel 3 TK13: TK Channel 13
28	16	12	11	18	14	P2.4/T4EX/PWM41/PWM04/AIN2/TK12	I/O	P2.4: GPIO P2.4 T4EX: Counter 4 External capture signal input PWM41: PWM41 Output port PWM04: PWM04 Output port AIN2: ADC input channel 2 TK12: TK Channel 12
29	17	-	-	19	-	P2.3/AIN1/TK11	I/O	P2.3: GPIO P2.3 AIN1: ADC input channel 1 TK11: TK Channel 11
30	18	-	-	20	-	P2.2/AIN0/TK10	I/O	P2.2: GPIO P2.2 AIN0: ADC input channel 0 TK10: TK Channel 10
31	19	13	12	21	15	P2.1/INT25/AIN11/USRX0/TK9	I/O	P2.1: GPIO P2.1 INT25: Input 5 of external interrupt 2 AIN11: ADC input channel 11 USRX0: MISO/RX of USCIO

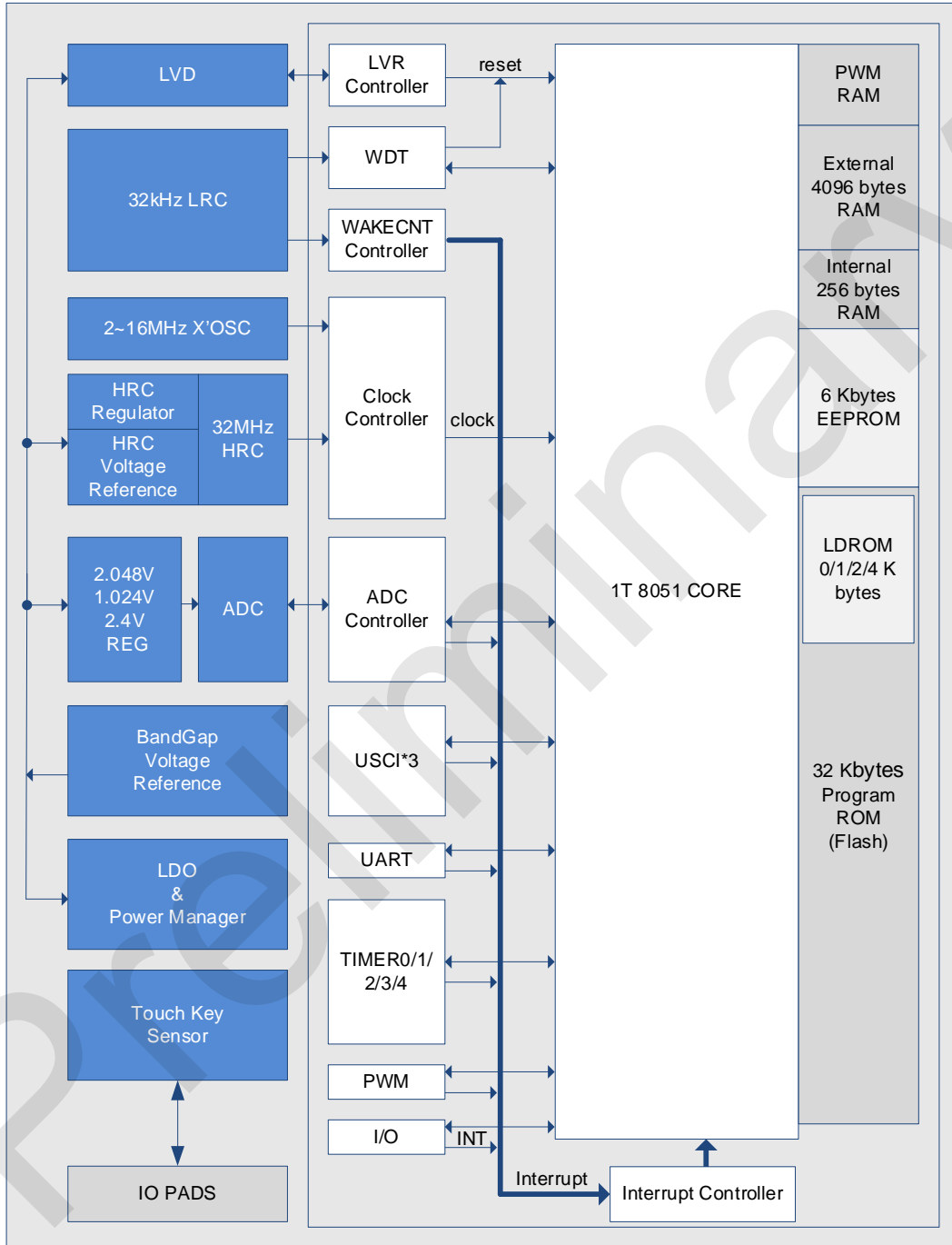


									TK9: TK Channel 9
32	20	14	13	22	16	P2.0/INT24/AIN10/USTX0/TK8	I/O		P2.0: GPIO P2.0 INT24: Input 4 of external interrupt 2 AIN10: ADC input channel 10 USTX0: MISO/SDA/TX of USCI0 TK8: TK Channel 8

Preliminary



### 4 Inner Block Diagram

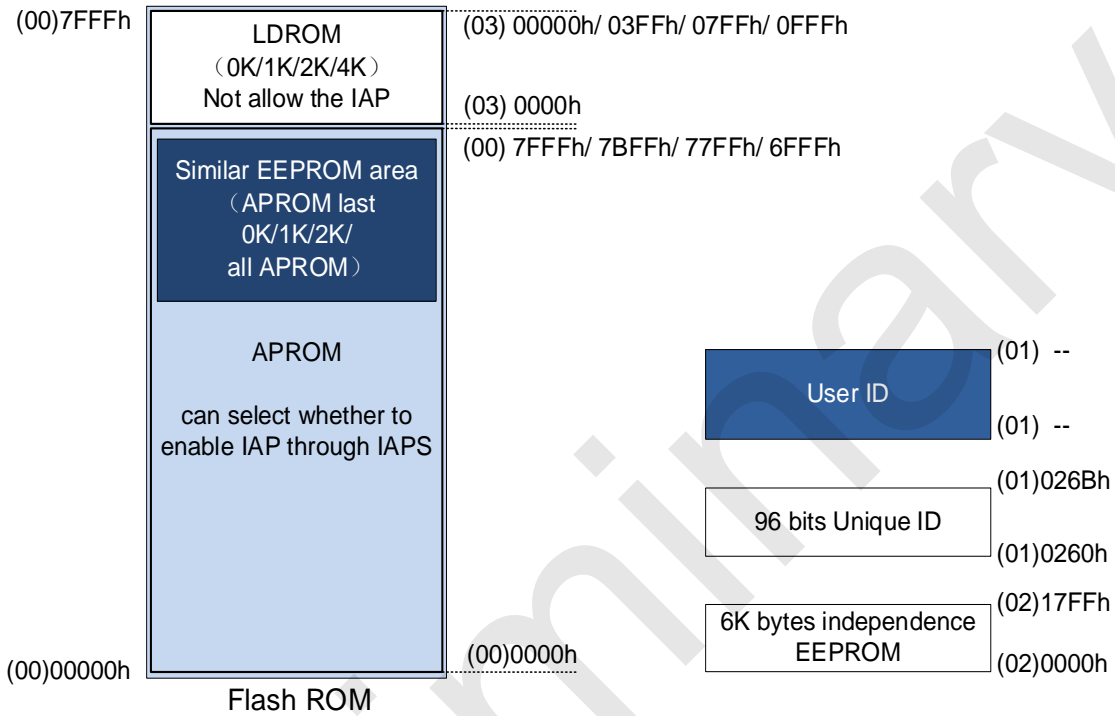


SC95F857X BLOCK DIAGRAM



### 5 Flash ROM and SRAM

The Flash ROM of SC95F857X is divided into five regions: APROM/LDROM/EEPROM/User ID/Unique ID, as shown in the following figure:



#### 5.1 APROM and LDROM

APROM and LDROM are two independent pieces of hardware that divide ROM by LDSIZE [1:0]. They are distinguished by the extended address "00" and "03" set by IAPADE register. They can be programmed and erased by SC LINK PRO.

- The extended address of the APROM area is "00". The size of the area can choose between 28k and 32k bytes. It supports IAP (In Application Programming) and APROM area allowed IAP operation in Flash can be set to 0K/1K/2K/All APROM by Code Option.
- The extended address of LDROM area is "03", area size 0~4 Kbytes optional. IAP on LDROM is not allowed.

The SC95F857X has 32 Kbytes of Flash ROM, the address is (00)00000H~(00)7FFFH , "00" in brackets is the extended address, which is set by the IAPADE register. Flash ROM can be programmed and erased by SC LINK PRO provided by SinOne. The characteristics of this 32 Kbytes Flash ROM are as follows:

- Divided into 64 sectors,512 bytes per sector
- Can be rewritten 100,000 times
- The data written-in has more than 100-year preservation life in the ambient temperature of 25°C
- In ICP mode, BLANK, PROGRAM, VERIFY, ERASE and READ functions are supported. The READ function is only valid for ICs with no security encryption function enabled



- Secure Encryption: Optionally enable APROM (32 Kbytes Flash ROM) and LDROM secure encryption
- Support IAP (In Application Programming).

APROM and LDROM have a total of 64 sectors, each sector have 512 bytes, can be written repeatedly over 100,000 times, and the data can be stored for more than 100 years at 25 ° C.

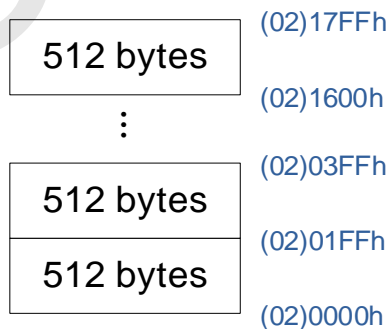


SC95F857X APROM Sectors

### 5.2 6K bytes independent EEPROM

The SC95F857X has 6 Kbytes of independent EEPROM, the address is (02)000H ~ 17FFH, "02" in brackets is the extended address, which is set by the IAPADE register. Independent EEPROM can be rewritten 100,000 times and the data written-in has more than 100-year preservation life in the ambient temperature of 25°C . EEPROM supports blank checking, programming, verification, erasing and reading functions.

EEPROM divided into 12 sectors,512 bytes per sector



SC95F857X EEPROM Sectors

Notes: EEPROM can be rewritten 100,000 times. User should not exceed the rated burn times of EEPROM, otherwise there will be exceptions!

### 5.3 96 bits Unique ID Area



The SC95F857X provides an independent Unique ID area. A 96-bit unique code can be pre-programmed before leaving the factory to ensure the uniqueness of the chip. The only way for the user to obtain the serial number is to read the relative address (01)0260H~(01)026BH through the IAP instruction. The Unique ID range is (01)0260H ~ (01)026BH, the "01" in brackets indicates the extended address which is set by the IAPADE register. The specific operation method is as follows:

IAPADE (F4H) IAP Write to extended address register (Read/Write)

Bit number	7	6	5	4	3	2	1	0
Bit Mnemonic	IAPADER[7: 0]							
R/W	R/W	R/W	R/W	R/W	R/W	R/W	R/W	R/W
POR	0	0	0	0	0	0	0	0

Bit number	Bit Mnemonic	Description
7~0	<b>IAPADER[7: 0]</b>	<p>IAP Extended address:</p> <p>0x00: Both MOVC and IAP are for APROM</p> <p>0x01: For the unique ID area, <b>read and write operations are not allowed, otherwise it may cause an exception!</b></p> <p>0x02: Both MOVC and IAP are for EEPROM</p> <p>0x03: This parameter takes effect only when the LDROM program is operating. Programs running in the LDROM region are allowed to perform MOVC operations on the LDROM program region. <b>Note: LDROM operation permission is only for MOVC operation, prohibit IAP operation on LDROM, this operation is valid only for LDROM programs, not for APROM programs.</b></p> <p>Other: reserved</p>

5.3.1 Unique ID Read Operating Demo Program In C Language

```
#include "intrins.h"

unsigned char UniqueID [12]; //store UniqueID

unsigned char code * POINT =0x0260;
```





unsigned char i;

```

EA = 0;           // Disable the global interrupt

IAPADE = 0X01;   // Expand address 0x01, select Unique ID area

for(i=0;i<12;i++)
{
    UniqueID [i]= *( POINT+i); // Read the value of UniqueID
}

IAPADE = 0X00;   // Expand address 0x00, return to Code area

EA = 1;         // Enable global interrupt

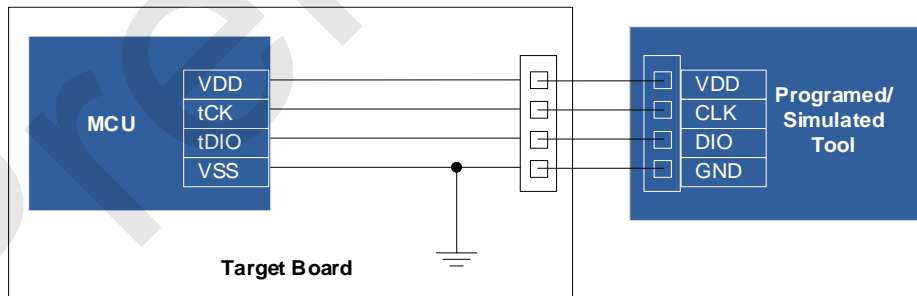
```

### 5.4 User ID Area

User ID area, whose extended address is (01), is written for user in the factory. Users can read the User ID area, but cannot write the User ID area.

### 5.5 Programming

The SC95F857X's APROM and LDROM can be programmed through tDIO, tCK, VDD, VSS, the specific connection relationship is as follows:



ICP mode programming connection diagram

tDIO,tCK is a 2-wire JTAG programming and emulation signal line. Users can configure the mode of these two ports through the Customer Option when programming.

#### 5.5.1 JTAG Specific Mode

tDIO,tCK are specific port for programming and emulation, and other functions multiplexed with it are not available. This mode is generally used in the online debugging stage, which is convenient for users to simulate and debug.



After the JTAG special mode takes effect, the chip can directly enter the programming or emulation mode without powering on and off again.

### 5.5.2 Normal Mode (JTAG specific port is invalid)

The JTAG function is not available, and other functions multiplexed with it can be used normally. This mode can prevent the programming port from occupying the MCU pins, which is convenient for users to maximize the use of MCU resources.

Note: When the invalid configuration setting of the JTAG dedicated port is successful, the chip must be completely powered off and then on again to enter the programming or emulation mode, which will affect the programming and emulation in the live mode. SinOne recommends that users select the invalid configuration of the JTAG dedicated port during mass production and programming, and select the JTAG mode during the development and debugging phase.

**Code Option register:**

**OP\_CTM1 (C2H@FFH) Code Option register1 (read/write)**

Bit number	7	6	5	4	3	2	1	0
Bit Mnemonic	VREFS[1:0]		OP_BL	DISJTG	IAPS[1:0]		LDSIZE[1:0]	
R/W	R/W	R/W	R/W	R/W	R/W	R/W	R/W	R/W-
POR	n	n	n	n	n	n	n	n

Bit number	Bit Mnemonic	Description
4	<b>DISJTG</b>	IO/JTAG port switching control  0 : JTAG mode is enabled, P1.1 and P1.3 can only be used as tCK/tDIO. Recommended settings during R&D and commissioning  1 : Normal mode (Normal), JTAG function is invalid. The recommended setting for the mass production burning stage.

## 5.6 IAP (Application Programming) Progress

Application Programming (IAP) operations can be carried out in the APROM of SC95F857X (0K, 1K, 2K, or all APROM ranges are optional) and 6K bytes EEPROM. Users can implement remote program updates through IAP operations. You can also obtain Unique ID field or User ID field information via IAP reads. Before IAPS write data, you must erase the Sector to which the target address belongs. The length of a Sector is 512 bytes. Flash



ROM is divided into 64 sectors from (00)0000H~(00)7FFFH. The "00" in brackets is the expanded address set by the IAPADE register:



SC95F857X 32 Kbytes Flash ROM Sectors

**NOTE:**

1. During the IAP erase/write process, the CPU holds the program counter, and after the IAP erase/write is complete, the program counter continues to execute subsequent instructions.
2. IAP operation in APROM area has certain risks, users need to take corresponding security measures in the software, if improper operation may cause user program rewriting! This feature is not recommended unless it is required by the user (for example, for remote application updates).
3. The EEPROM erasure count is 100,000. Do not exceed the rated EEPROM erasure count; otherwise, an exception may occur.

The user can select the IAP region range of APROM through Customer Option during programming, or set the IAP region of APROM through IAPS control bit in the program. The relevant registers are as follows:

**OP\_CTM1 (C2H@FFH) Code Option Register 1(Read/write)**

Bit number	7	6	5	4	3	2	1	0
Bit Mnemonic	VREFS[1:0]		OP_BL	DISJTG	IAPS[1:0]		LDSIZE[1:0]-	
R/W	R/W	R/W	R/W	R/W	R/W	R/W	R/W	R/W
POR	n	n	n	n	n	n	n	n



Bit Number	Bit Mnemonic	Description
3~2	<b>IAPS[1: 0]</b>	<p>IAP spatial range selection</p> <p>00: Full Flash ROM not allows IAP operation</p> <p>01: Last 1K Flash ROM allows IAP operation</p> <p>10: Last 2K Flash ROM allows IAP operation</p> <p>11: Full Flash ROM allows IAP operation</p> <p>Note:</p> <p>1. The above setting items are invalid in BootLoader mode. The BootLoader program can perform IAP operation on the entire Flash ROM area.</p> <p>2. LDROM does not allow IAP operation under any circumstances.</p>

**5.6.1 IAP Operation Related Register**

Symbol	Address	Description	7	6	5	4	3	2	1	0	POR
IAPKEY	F1H	Data protection register	IAPKEY[7: 0]								0000000b
IAPADL	F2H	IAP write address low register	IAPADR[7: 0]								0000000b
IAPADH	F3H	IAP write address high register	IAPADR[15: 8]								0000000b
IAPADE	F4H	IAP write to extended address register	IAPADER[7: 0]								0000000b
IAPDAT	F5H	IAP data register	IAPDAT[7: 0]								0000000b
IAPCTL	F6H	IAP control register	BTL D	-	SERAS E	PRG	-	-	CMD[1: 0]		0x00xx00b

**IAPKEY (F1H) Data Protection Register (Read/Write)**



Bit number	7	6	5	4	3	2	1	0
Bit Mnemonic	IAPKEY[7: 0]							
R/W	R/W	R/W	R/W	R/W	R/W	R/W	R/W	R/W
POR	0	0	0	0	0	0	0	0

Bit Number	Bit Mnemonic	Description
7~0	<b>IAPKEY[7: 0]</b>	<p>Open IAP function and operation time limit setting</p> <p>Write a value n greater than or equal to 0x40, which represents:</p> <ol style="list-style-type: none"> <li>1.Enable the IAP function;</li> <li>2.If no IAP write command is received after n system clocks, the IAP function is turned off again.</li> </ol>

**IAPADL (F2H) IAP Write Address Low Register (read/write)**

Bit number	7	6	5	4	3	2	1	0
Bit Mnemonic	IAPADR[7: 0]							
R/W	R/W	R/W	R/W	R/W	R/W	R/W	R/W	R/W
POR	0	0	0	0	0	0	0	0

Bit Number	Bit Mnemonic	Description
7~0	<b>IAPADR[7: 0]</b>	IAP writes the low 8 bits of the address

**IAPADH (F3H) IAP Write Address High Register (read/write)**

Bit number	7	6	5	4	3	2	1	0
Bit Mnemonic	IAPADR[15: 8]							
R/W	R/W	R/W	R/W	R/W	R/W	R/W	R/W	R/W
POR	0	0	0	0	0	0	0	0

Bit Number	Bit Mnemonic	Description
7~0	<b>IAPADR[15: 8]</b>	IAP writes the high 8 bits of the address

**IAPADE (F4H) IAP Write to Extended Address Register (Read/Write)**

Bit number	7	6	5	4	3	2	1	0
Bit Mnemonic	IAPADER[7: 0]							
R/W	R/W	R/W	R/W	R/W	R/W	R/W	R/W	R/W
POR	0	0	0	0	0	0	0	0

Bit Number	Bit Mnemonic	Description
7~0	<b>IAPADER[7: 0]</b>	<p>IAP extended address:</p> <p>0x00: Both MOVC and IAP are for code</p> <p>0x01: The Unique ID area is read but cannot be written</p> <p>0x02: Both MOVC and IAP are for independent EEPROM</p>



		0x03: MOV <sub>C</sub> is performed in the LDR <sub>OM</sub> region (Note: only MOV <sub>C</sub> can be used, not IAP, this item is only valid for LDR <sub>OM</sub> operation, APROM operation this item is not valid!)
		Other: reserved

**IAPDAT (F5H) IAP Data Register (read/write)**

Bit number	7	6	5	4	3	2	1	0
Bit Mnemonic	IAPDAT[7: 0]							
R/W	R/W	R/W	R/W	R/W	R/W	R/W	R/W	R/W
POR	0	0	0	0	0	0	0	0

Bit number	Bit Mnemonic	R/W	Description
7~0	<b>IAPDAT[7:0]</b>	R/W	Data written by IAP

**IAPCTL (F6H) IAP Control register (Read/Write)**

Bit number	7	6	5	4	3	2	1	0
Bit Mnemonic	BTLD	-	SERASE	PRG	-	-	CMD[1: 0]	
R/W	R/W	-	R/W	R/W	-	-	R/W	R/W
POR	0	x	0	0	x	x	0	0



Bit number	Bit Mnemonic	R/W	Description
7	<b>BTLD</b>	R/W	<p>BootLoader control bit</p> <p>0: The program starts running from the main program area, after the software is reset</p> <p>1: The program starts running from the BootLoader area, after the software is reset</p>
5	<b>SERASE</b>	R/W	<p>Sector Erase control bit</p> <p>0: No operation</p> <p>1: The Sector of the Flash ROM will be erased if set CMD[1:0]=10 after set SERASE to "1".</p>
4	<b>PRG</b>	R/W	<p>Program control bit</p> <p>0: No operation</p> <p>1: The data in register IAPDAT will be written into appointed Flash ROM address if set CMD[1:0]=10 after set PRG to "1".</p>
1-0	<b>CMD[1:0]</b>	R/W	<p>IAP Order Enable control bit</p> <p>10: Execute write or sector erase commands</p> <p>Others: Reserved</p> <p>Note:</p> <ol style="list-style-type: none"> <li>CMD[1:0] must be set to 10 after SERASE/PRG set to "1",so the appointed operation can be executed.</li> <li>Only one IAP can be performed at a time, so only one SERASE/PRG can set 1 at a time</li> <li>At least 12 NOP instructions must be added after the IAP action statement to ensure that the subsequent instructions can be executed normally after the completion of the IAP action</li> </ol>

### 5.6.2 IAP Operation process

The writing process for the SC95F857X IAP is shown as follows::

1. Write IAPADER[7:0]:





- =0x00, perform IAP operations in the APROM area
  - =0x01, read the Unique ID area, **note: can only read, not allowed to rewrite!**
  - =0x02, perform read and write operations in the EEPROM area
  - =0x03, read the LDRON area, **note: LDRON operation permission is only for MOVC operation, prohibit IAP operation on LDRON, this operation is valid only for LDRON programs, not for APROM programs.**
2. Write IAPDAT[7:0] to prepare the data written by IAP
  3. Write IAPADR[15:0] to prepare the destination address of IAP operation
  4. Write a non-0 value n to IAPKEY[7:0] to enable IAP protection, and the IAP operation will be closed if the write command is not received within n system clocks
  5. The writing of IAP is complete, and the CPU continues with subsequent operations

### 5.6.3 IAP Operation notes

1. The user must erase the target sector before writing.
2. IAP operation in APROM area has certain risks, users need to take corresponding security measures in the software, if improper operation may cause user program rewriting! This feature is not recommended unless required (for remote application updates, for example);
3. When programming IC, if "APROM zone prevents IAP operation" is selected through Code Option, then IAPADE [7:0]=0x00 (APROM zone is selected), IAP cannot be operated, that is, data cannot be written, data can only be read by MOVC instruction;
4. When IAPADE is not 0x00, the MOVC and write target is non-APROM region. At this time, if there is an interrupt and MOVC operation occurs in the interrupt, the result of MOVC will be wrong and the program will run abnormally. To avoid this situation, if IAPADE is not 0x00 during IAP operation, it is important to turn off total interrupt (EA=0) before operation, and set IAPADE = 0x00 after operation before turning on total interrupt (EA=1);
5. During the IAP wipe/write process, the CPU holds the program counter, and the program counter only continues to execute subsequent instructions after the IAP wipe/write is complete;
6. The EEPROM erasure count is 100,000. Do not exceed the rated EEPROM erasure count; otherwise, an exception may occur!

### 5.6.4 IAP Operating Demo Progress In C Progress

The header files shared by the following routines are as follows:

```
#include "intrins.h"

unsigned int IAP_Add;

unsigned char IAP_Data;

unsigned char code * POINT =0x0000;
```

#### IAP operation: sectors erase

```
EA = 0; //Close global interrupt
```



```
IAPADE = 0x00; // The extended address is 0x00, select Flash ROM
IAPADH = (unsigned char)((IAP Add>>8)); // Write the upper value of the IAP destination address
IAPADL = (unsigned char)IAP Add; // Write the low value of the IAP destination address
IAPKEY = 0xF0;
IAPCTL = 0x20; //Set sectors erase bit
IAPCTL |= 0x02; //Execute block erase
nop(); //Wait(at least 12 nop())
nop();
nop();
nop();
nop();
nop();
nop();
nop();
nop();
nop();
nop();
nop();
nop();
nop();
nop();
EA = 1; //Open global interrupt

IAP operation: write data
EA = 0; //Close global interrupt
IAPADE = 0x00; // The extended address is 0x00, select Flash ROM
IAPDAT = IAP Data; //Send data into IAP Data Register
IAPADH = (unsigned char)((IAP Add>>8)); //Write the upper value of the IAP destination address
IAPADL = (unsigned char)IAP Add; // Write the low value of the IAP destination address
IAPKEY = 0xF0; // This value can be adjusted according to the actual situation; Ensure
//that the interval between the execution of this command and the
//assignment of the IAPCTL value is smaller than 240 (0xF0) system
```



```
                                     //clocks; otherwise, the IAP function is disabled.Pay attention to this
                                     //when open interrupt

IAPCTL = 0x10;                         //Set IAP write bit
IAPCTL |= 0x02;                        //Execute write order
nop();                                 // Wait(at least 12 nop())
nop();
nop();
nop();
nop();
nop();
nop();
nop();
nop();
nop();
nop();
nop();
nop();
nop();
EA = 1;                                //Open global interrupt
```

**IAP operation: read data:**

```
EA = 0;                                // Close global interrupt
IAPADE = 0X00;                         //The extended address is 0x00, selectFlash ROM
IAP_Data = *( POINT+IAP_Add);          //Read the value of IAP_Add toIAP_Data
EA = 1;                                // Open global interrupt
```

## 5.7 BootLoader

The LDROM is used to store the bootLoader code. LDROM supports blank checking (BLANK), programming (PROGRAM), verifying (VERIFY), erasing (ERASE) and reading (READ) functions in ICP mode.

Users can realize ISP (In System Programing) function through LDROM: when ISP is executed, IC runs the boot code In LDROM area. When the boot code is executed, IC receives new program code through serial port, and then programs the received code into user code area through IAP command.



The LDROM has four address ranges:

- (03)0000H~(03)0000H (without LDROM)
- (03)0000H~(03)03FFH (1K)
- (03)0000H~(03)07FFH (2K)
- (03)0000H~(03)0FFFH (4K)

Where: "03" in the brackets above indicates the extended address, which is set by LDSIZE [1:0].

### 5.7.1 BootLoader Mode operation related registers

#### OP\_CTM1 (C2H@FFH) Code Option Register1 (Read/Write)

Bit number	7	6	5	4	3	2	1	0
Bit Mnemonic	VREFS[1:0]		OP_BL	DISJTG	IAPS[1:0]		LDSIZE [1:0]	
R/W	R/W	R/W	R/W	R/W	R/W	R/W	R/W	R/W
POR	n	n	n	n	n	n	n	n

Bit Number	Bit Mnemonic	Description				
5	OP_BL	<p>Program run area control bit</p> <p>0: After the chip is reset, it enters APROM</p> <p>1: After the chip is reset, it enters LDROM</p> <p>① The MOV C and IAP restrictions for APROM are as follows:</p> <table border="1"> <thead> <tr> <th>Operation</th> <th>Is it operable?</th> </tr> </thead> <tbody> <tr> <td>LDROM MOV C</td> <td>x</td> </tr> </tbody> </table>	Operation	Is it operable?	LDROM MOV C	x
Operation	Is it operable?					
LDROM MOV C	x					



		<table border="1"> <tr> <td>APROM MOV C</td> <td>√</td> </tr> <tr> <td>LDROM IAP</td> <td>×</td> </tr> <tr> <td>APROM IAP</td> <td>√</td> </tr> </table> <p>② The MOV C and IAP restrictions for LDROM are as follows:</p> <table border="1"> <tr> <td>Operation</td> <td>Is it operable?</td> </tr> <tr> <td>LDROM MOV C</td> <td>√</td> </tr> <tr> <td>APROM MOV C</td> <td>√</td> </tr> <tr> <td>LDROM IAP</td> <td>×</td> </tr> <tr> <td>ALL APROM IAP, not restricted by IAPRANGE</td> <td>√</td> </tr> </table>	APROM MOV C	√	LDROM IAP	×	APROM IAP	√	Operation	Is it operable?	LDROM MOV C	√	APROM MOV C	√	LDROM IAP	×	ALL APROM IAP, not restricted by IAPRANGE	√
APROM MOV C	√																	
LDROM IAP	×																	
APROM IAP	√																	
Operation	Is it operable?																	
LDROM MOV C	√																	
APROM MOV C	√																	
LDROM IAP	×																	
ALL APROM IAP, not restricted by IAPRANGE	√																	
1~0	LDSIZE [1:0]	<p>LDROM space range selection</p> <p>00: None LDROM, the APROM address is 00000H~7FFFH</p> <p>01: The last 1K APROM area of the Flash ROM is LDROM, and the APROM address is 00000H~7BFFH</p> <p>10: The last 2K APROM area of the Flash ROM is LDROM, and the APROM address is 00000H~77FFH</p> <p>11: The last 4K APROM area of the Flash ROM is LDROM, and the APROM address is 00000H~6FFFH</p> <p><b>NOTE: LDROM not allow IAP operation in anyways</b></p>																

**IAPKEY (F1H) Data Protection Register (Read/Write)**

Bit number	7	6	5	4	3	2	1	0
Bit Mnemonic	IAPKEY[7: 0]							
R/W	R/W	R/W	R/W	R/W	R/W	R/W	R/W	R/W
POR	0	0	0	0	0	0	0	0



Bit number	Bit Mnemonic	Description
7~0	<b>IAPKEY[7: 0]</b>	Open IAP and operation time limit setting  Write a value n greater than or equal to 0x40, which represents:  1. Enable the IAP;  2. If no IAP write command is received after n system clocks, the IAP is turned off again.

**IAPADL (F2H) IAP Write Low Address Register (Read/Write)**

Bit number	7	6	5	4	3	2	1	0
Bit Mnemonic	IAPADR[7: 0]							
R/W	R/W	R/W	R/W	R/W	R/W	R/W	R/W	R/W
POR	0	0	0	0	0	0	0	0

Bit number	Bit Mnemonic	Description
7~0	<b>IAPADR[7: 0]</b>	IAP writes the low 8 bits of the address

**IAPADH (F3H) IAP Write High Address Register (Read/Write)**

Bit number	7	6	5	4	3	2	1	0
Bit Mnemonic	IAPADR[15: 8]							
R/W	R/W	R/W	R/W	R/W	R/W	R/W	R/W	R/W



POR	0	0	0	0	0	0	0	0
-----	---	---	---	---	---	---	---	---

Bit number	Bit Mnemonic	Description
7~0	<b>IAPADR[15: 8]</b>	IAP writes the upper 8 bits of the address

**IAPADE (F4H) IAP Write to Extended Address Register (Read/Write)**

Bit number	7	6	5	4	3	2	1	0
Bit Mnemonic	IAPADER[7: 0]							
R/W	R/W	R/W	R/W	R/W	R/W	R/W	R/W	R/W
POR	0	0	0	0	0	0	0	0

Bit number	Bit Mnemonic	Description
7~0	<b>IAPADER[7: 0]</b>	<p>IAP extended address:</p> <p>0x00: Both MOVC and IAP are for APROM</p> <p>0x01: The Unique ID area is read but cannot be written</p> <p>0x02: Both MOVC and IAP are for independent EEPROM</p> <p>0x03: MOVC is performed in the LDR0M region (<b>Note: only MOVC can be used, not IAP, this item is only valid for LDR0M operation, APROM operation this item is not valid!</b>)</p> <p>Other: reserved</p>

**IAPDAT (F5H) IAP Data Register (Read/Write)**

Bit number	7	6	5	4	3	2	1	0
------------	---	---	---	---	---	---	---	---



Bit Mnemonic	IAPDAT[7: 0]							
R/W	R/W	R/W	R/W	R/W	R/W	R/W	R/W	R/W
POR	0	0	0	0	0	0	0	0

Bit number	Bit Mnemonic	Description
7~0	<b>IAPDAT[7:0]</b>	Data written by IAP

**IAPCTL (F6H) IAP Control Register (Read/Write)**

Bit number	7	6	5	4	3	2	1	0
Bit Mnemonic	BTLD	-	SERASE	PRG	-	-	CMD[1: 0]	
R/W	R/W	-	R/W	R/W	-	-	R/W	R/W
POR	0	x	0	0	x	x	0	0

Bit number	Bit Mnemonic	Description
7	<b>BTLD</b>	BootLoader control bit 0: The program starts to run from the main program area (main program) after Reset; 1: The program starts to run from the BootLoader area after Reset
5	<b>SERASE</b>	Sector Erase control bit 0: No operation





		1: The Sector of the Flash ROM will be erased if set CMD[1:0]=10 after set SERASE to "1".
4	<b>PRG</b>	Program control bit  0: No operation  1: The data in register IAPDAT will be written into appointed Flash ROM address if set CMD[1:0]=10 after set PRG to "1".
1~0	<b>CMD[1:0]</b>	IAP Order Enable control bit  10: Execute write or sector erase commands  Others: Reserved  <b>Note:</b>  1. <b>CMD[1:0] must be set to 10 after SERASE/PRG set to "1", so the appointed operation can be executed.</b>  2. <b>Only one IAP can be performed at a time, so only one SERASE/PRG can set 1 at a time</b>  3. <b>At least 12 NOP instructions must be added after the IAP action statement to ensure that the subsequent instructions can be executed normally after the completion of the IAP action</b>

**PCON (87h) Power Management Control Register (write only, \*not readable\*)**

Bit number	7	6	5	4	3	2	1	0
Bit Mnemonic	SMOD	-	-	-	RST	-	STOP	IDL
R/W	write only	-	-	-	write only	-	write only	write only
POR	0	x	x	x	n	x	0	0

Bit number	Bit Mnemonic	Description
------------	--------------	-------------



3	<b>RST</b>	Software reset control bit:  Write status:  0: The program runs normally;  1: The CPU resets immediately after this bit is written to "1"
---	------------	---

**Bootloader Notes:**

- 1. The user must erase the target sector before writing LDROM;**
- 2. For the specific operation method, please refer to the description document " SinOne hardware BootLoader Function Implementation Application Guide" provided by SinOne.**

**5.8 Encryption**

Users can choose whether to encrypt the SC95F857X's ROM through the settings on the computer program:

1. If the encryption function is disabled, users can read the last data written in APROM and LDROM by SC LINK;
2. If the encryption function is enabled, the data written in APROM (32 Kbytes Flash ROM) and LDROM will never be read from outside. When a user performs a program overwrite operation on an SC95F857X with encryption enabled, regardless of whether the target of the rewrite is APROM or LDROM, the programming device will first force the APROM and LDROM to be erased before performing a write operation. It is recommended to enable the encryption function during mass production;
3. The only way to release security encryption is to re-programming
4. The encryption has no effect on iap read and write operation

For the specific operation method, please refer to the chapter of Secure Encryption and Reading in the "SOC LINK Series Programmer & Simulator User Manual".

**5.9 Code Option Area (User Programming Settings)**

Symbol	OPINX Address	Instructions	bit7	bit6	bit5	bit4	bit3	bit2	bit1	bit0
OP_CTM0	C1H@FFH	Code Option register 0	ENWD T	ENXT L	SCLKS[1: 0]		DISRS T	DISLV R	LVRS[1: 0]	
OP_CTM1	C2H@FFH	Code Option register 1	VREFS[1: 0]		OP_B L	DISJT G	IAPS[1: 0]		LDSIZE[1:0]	
OP_HRCR	83H@FFH	System clock change register	OP_HRCR[7: 0]							

IFB Address	Symbol	Write read	Instructions
OP_CTM0[7]	ENWDT	R/W	<b>WDT Switch</b>  0: WDT invalid  1: WDT valid(WDT stops counting during IAP execution)
OP_CTM0[6]	ENXTL	R/W	<b>External crystal selector switch</b>  0: External crystal Interface disable, P5.0 and P5.1 valid  1: External crystal Interface enable, P5.0 and P5.1 invalid
OP_CTM0[5~4]	SCLKS [1:0]	R/W	<b>System clock frequency selection bits</b>  00: System clock frequency is HRC frequency divided by 1;  01: System clock frequency is HRC frequency divided by 2;  10: System clock frequency is HRC frequency divided by 4;  11: System clock frequency is HRC frequency divided by 8;



OP_CTM0[3]	DISRST	Read only	<b>IO/RST Selection bit</b> 0: configure P1.1 as External Reset input pin 1: configure P1.1 as GPIO						
OP_CTM0[2]	DISLVR	R/W	<b>LVR control bit</b> 0: LVR valid 1: LVR invalid						
OP_CTM0[1~0]	LVRS [1:0]	R/W	<b>LVR voltage selection control</b> 11: 4.3V reset 10: 3.7V reset 01: 2.9V reset 00: 1.9V reset						
OP_CTM1[7~6]	VREFS [1:0]	R/W	<b>Reference voltage selection</b> 00: Configure ADC VREF as VDD; 01: Configure ADC VREF as internal 2.048V 10: Configure ADC VREF as internal 1.024V 11: Configure ADC VREF as internal 2.4V						
OP_CTM1[5]	OP_BL	R/W	<b>Program run area control bit</b> 0: After the chip is reset, it enters APROM 1: After the chip is reset, it enters LDROM  1. The MOV_C and IAP restrictions for APROM are as follows: <table border="1" data-bbox="608 1756 1445 2038"> <thead> <tr> <th>Operation</th> <th>Is it operable?</th> </tr> </thead> <tbody> <tr> <td>LDROM MOV_C</td> <td>x</td> </tr> <tr> <td>APROM MOV_C</td> <td>√</td> </tr> </tbody> </table>	Operation	Is it operable?	LDROM MOV_C	x	APROM MOV_C	√
Operation	Is it operable?								
LDROM MOV_C	x								
APROM MOV_C	√								



			<table border="1"> <tr> <td>LDROM IAP</td> <td>x</td> </tr> <tr> <td>APROM IAP</td> <td>√</td> </tr> </table> <p>2. The MOVc and IAP restrictions for LDROM are as follows:</p> <table border="1"> <thead> <tr> <th>Operation</th> <th>Is it operable?</th> </tr> </thead> <tbody> <tr> <td>LDROM MOVc</td> <td>√</td> </tr> <tr> <td>APROM MOVc</td> <td>√</td> </tr> <tr> <td>LDROM IAP</td> <td>x</td> </tr> <tr> <td>ALL APROM IAP, not restricted by IAPRANGE</td> <td>√</td> </tr> </tbody> </table>	LDROM IAP	x	APROM IAP	√	Operation	Is it operable?	LDROM MOVc	√	APROM MOVc	√	LDROM IAP	x	ALL APROM IAP, not restricted by IAPRANGE	√
LDROM IAP	x																
APROM IAP	√																
Operation	Is it operable?																
LDROM MOVc	√																
APROM MOVc	√																
LDROM IAP	x																
ALL APROM IAP, not restricted by IAPRANGE	√																
OP_CTM1[4]	DISJTG	R/W	<p><b>IO/JTAG Port switching control</b></p> <p>0: JTAG mode is enabled, P1.2 and P1.3 can only be used as tCK/tDIO.</p> <p>1: Normal mode (Normal), JTAG function is invalid.</p>														
OP_CTM1[3~2]	IAPS[1:0]	R/W	<p><b>IAP spatial range selection</b></p> <p>00: Code area forbids IAP operation</p> <p>01: Last 1K Code area allows IAP operation</p> <p>10: Last 2K Code area allows IAP operation</p> <p>11: All Code area allows IAP operation</p> <p><b>Note:</b></p> <p>1. The preceding Settings are invalid in BootLoader mode, and the BootLoader program can perform IAP operations on the entire APROM region</p> <p>2. LDROM does not allows IAP operation</p>														
OP_CTM1[1:0]	LDSIZE[1:0]	Read only	<p><b>LDROM space range selection</b></p> <p>00: None LDROM, the APROM address is 00000H~7FFFH</p>														



			<p>01: The last 1K APROM area of the Flash ROM is LDROM, and the APROM address is 00000H~7BFFH</p> <p>10: The last 2K APROM area of the Flash ROM is LDROM, and the APROM address is 00000H~77FFH</p> <p>11: The last 4K APROM area of the Flash ROM is LDROM, and the APROM address is 00000H~6FFFH</p> <p><b>NOTE: LDROM not allow IAP operation in anyways</b></p>																
OP_HRCR	OP_HRCR[7:0]	R/W	<p><b>HRC frequency change register</b></p> <p>User can change the high-frequency oscillator frequency <math>f_{HRC}</math> by modifying the value of this register, and then change the system clock frequency <math>f_{sys}</math>:</p> <ol style="list-style-type: none"> <li>The initial value of OP_HRCR[7: 0] after power-on OP_HRCR[s] is a fixed value to ensure that <math>f_{HRC}</math> is 32MHz, OP_HRCR[s] of each IC may be different</li> <li>When the initial value is OP_HRCR[s], the system clock frequency <math>f_{sys}</math> of the IC can be set to an accurate 32/16/8/4MHz through the Option item. When OP_HRCR [7: 0] changes by 1, the <math>f_{sys}</math> frequency changes by about 0.18%</li> </ol> <p>The relationship between OP_HRCR [7: 0] and HRC output frequency is as follows:</p> <table border="1"> <thead> <tr> <th>OP_HRCR [7: 0] Value</th> <th><math>f_{sys}</math> actual output frequency (32M as an example)</th> </tr> </thead> <tbody> <tr> <td>OP_HRCR [s]-n</td> <td><math>32000 * (1 - 0.18\% * n)</math> kHz</td> </tr> <tr> <td>...</td> <td>....</td> </tr> <tr> <td>OP_HRCR [s]-2</td> <td><math>32000 * (1 - 0.18\% * 2) = 31\ 884.8</math> kHz</td> </tr> <tr> <td>OP_HRCR [s]-1</td> <td><math>32000 * (1 - 0.18\% * 1) = 31\ 942.4</math> kHz</td> </tr> <tr> <td>OP_HRCR [s]</td> <td>32000 kHz</td> </tr> <tr> <td>OP_HRCR [s]+1</td> <td><math>32000 * (1 + 0.18\% * 1) = 32\ 057.6</math> kHz</td> </tr> <tr> <td>OP_HRCR [s]+2</td> <td><math>32000 * (1 + 0.18\% * 2) = 32\ 115.2</math> kHz</td> </tr> </tbody> </table>	OP_HRCR [7: 0] Value	$f_{sys}$ actual output frequency (32M as an example)	OP_HRCR [s]-n	$32000 * (1 - 0.18\% * n)$ kHz	...	....	OP_HRCR [s]-2	$32000 * (1 - 0.18\% * 2) = 31\ 884.8$ kHz	OP_HRCR [s]-1	$32000 * (1 - 0.18\% * 1) = 31\ 942.4$ kHz	OP_HRCR [s]	32000 kHz	OP_HRCR [s]+1	$32000 * (1 + 0.18\% * 1) = 32\ 057.6$ kHz	OP_HRCR [s]+2	$32000 * (1 + 0.18\% * 2) = 32\ 115.2$ kHz
OP_HRCR [7: 0] Value	$f_{sys}$ actual output frequency (32M as an example)																		
OP_HRCR [s]-n	$32000 * (1 - 0.18\% * n)$ kHz																		
...	....																		
OP_HRCR [s]-2	$32000 * (1 - 0.18\% * 2) = 31\ 884.8$ kHz																		
OP_HRCR [s]-1	$32000 * (1 - 0.18\% * 1) = 31\ 942.4$ kHz																		
OP_HRCR [s]	32000 kHz																		
OP_HRCR [s]+1	$32000 * (1 + 0.18\% * 1) = 32\ 057.6$ kHz																		
OP_HRCR [s]+2	$32000 * (1 + 0.18\% * 2) = 32\ 115.2$ kHz																		



			...	...
			OP_HRCR [s]+n	32000*(1+0.18%*n)kHz
		<p>Note:</p> <ol style="list-style-type: none"> <li>1. The OP_HRCR[7:0] value of IC after each power-on is the value of HRC closest to 32/16/8/4MHz; The user corrects the HRC value after each power-on with EEPROM so that the HRC works at the user's desired frequency;</li> <li>2. In order to ensure the reliable operation of IC, the highest operating frequency of IC should not exceed 10% of 32MHz, i.e. 35.2MHz;</li> <li>3. Confirm that the change of HRC frequency will not affect other functions.</li> </ol>		

### 5.9.1 Customer-Option-related Registers Operation Instructions

Option-related SFRs reading and writing operations are controlled by both OPINX and OPREG registers, with their respective position of Option SFR depending on OPINX and its value written to option-related SFR depending on register OPREG:

Symbol	Address	Instructions		POR
OPINX	FEH	Option pointer	OPINX[7: 0]	00000000b
OPREG	FFH	Option register	OPREG[7: 0]	nnnnnnnb

The OPINX register stores the address of the related OPTION register when operating the Option related SFR, and the OPREG register stores the corresponding value.

For example: To set OP\_HRCR to 0x01, the specific operation method is as follows:

C language example:

```

OPINX = 0x83;           // Write the address of OP_HRCR to the OPINX register
OPREG |= 0x01;        // Set 1 for Register OPREG(The value to be written to the OP_HRCR)

```

Assembly language example:

```

MOV OPINX,#C83H      ; Write the address of OP_HRCR to the OPINX register

```

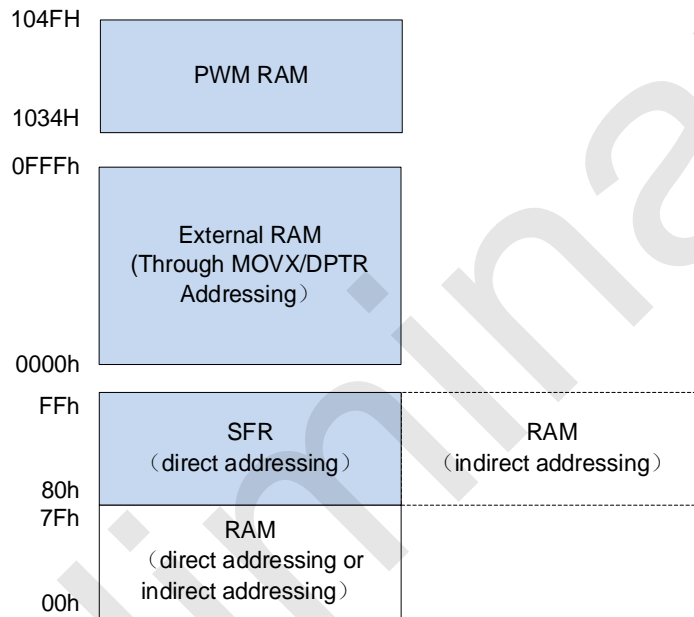


MOV OPREG,#01H ; Set 1 for Register OPREG(The value to be written to the OP\_HRCR)

Note: It is forbidden to write any value beyond SFR address of Customer Option region into OPINX register! Or else, it may cause abnormal system operation.

### 5.10 SRAM

The SRAM structure of the SC95F857X is as follows:



The SC95F857X MCU integrates 4.25 Kbytes of SRAM, which is divided into internal 256 bytes RAM, external 4096 bytes RAM. The address range of the internal RAM is 00H~FFH, where the high 128 bytes (address 80H~FFH) can only be indirectly addressed, and the low 128 bytes (address 00H~7FH) can be directly or indirectly addressed.

The address of the special function register SFR is also 80H~FFH. But the difference between SFR and internal high 128 bytes SRAM is: SFR register is directly addressed, while internal high 128 bytes SRAM can only be indirectly addressed.

The address of the external RAM is 0000H~0FFFH, but it needs to be addressed by the MOVX instruction.

#### 5.10.1 Internal 256 Bytes SRAM

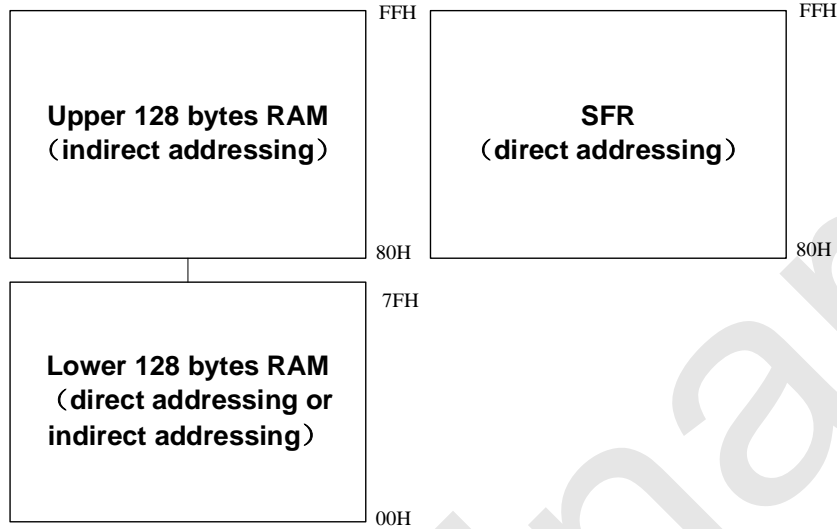
The internal low 128 bytes SRAM area can be divided into three parts:

- ① Operating register group 0~3, address 00H~1FH, the combination of RS0 and RS1 in the program status word register PSW determines the operating register currently used, using operating register group 0~ 3 can speed up the operation;
- ② Bit addressing area 20H~2FH, this area can be used as ordinary RAM or bit-wise addressing RAM; when addressing by bit, the bit address is 00H~7FH, (The address is programmed bit by bit, which is different from the general SRAM coded by byte), which can be distinguished by instructions in the program;



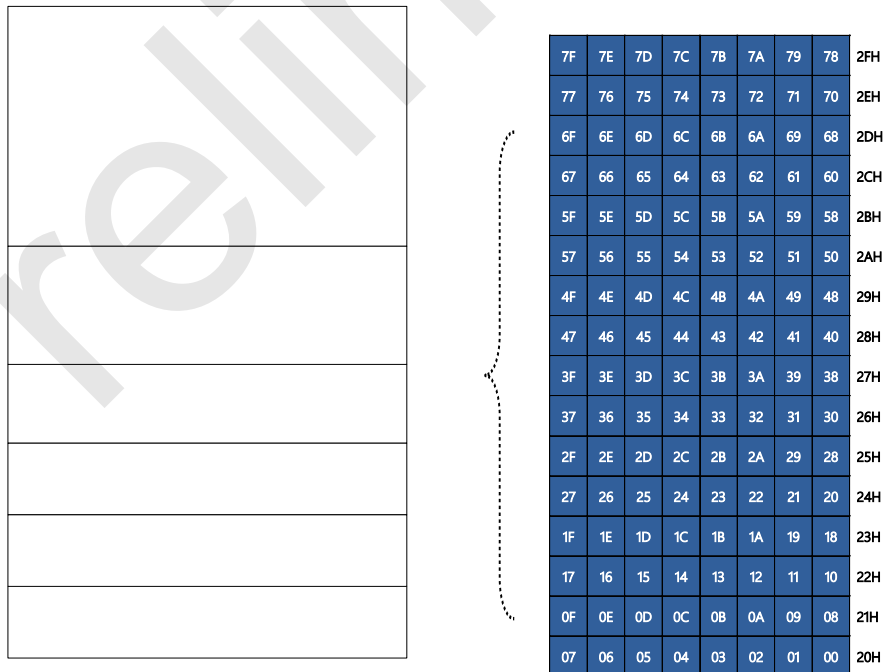


- ③ User RAM and stack area, after the SC95F857X is reset, the 8-bit stack pointer points to the stack area. Users generally set the initial value during initialization. It is recommended to set the initial value between E0H ~ FFH.



Internal 256 bytes RAM structure diagram

The internal low 128 bytes RAM structure is as follows:



SRAM structure diagram

**5.10.2 External 4096 bytes SRAM**

External 4096 bytes RAM can be accessed through MOVX @DPTR, A; you can also use MOVX A, @Ri or MOVX @Ri, A with EXADH register to access external 4096 bytes RAM: EXADH register stores the high address of external SRAM, Ri register stores the low 8 bits of the external SRAM.

**EXADH (F7H) External SRAM Operation Address High Bit (read/write)**

Bit number	7	6	5	4	3	2	1	0
Bit Mnemonic	-	-	-	-	EXADH [4: 0]			
POR	x	x	x	x	0	0	0	0

Bit number	Bit Mnemonic	Description
3~0	<b>EXADH [3: 0]</b>	High-bit of external SRAM operation address
7~4	-	reserved

**5.10.3 External PWM SRAM**

The PWM duty cycle adjustment register occupies 1034H~104FH and can **be read and written.**;



## 6 Special Function Register (SFR)

### 6.1 SFR Mapping

The SC95F857X provides some registers equipped with special functions, called SFR. The addresses of these registers are located at 80H~FFH, some are bit-addressable, and others are not. It is very convenient for these bit addressable registers to change the value of single bit, of which the address is end up with figure "0" or "8". All SFR shall use direct addressing for addressing.

The SC95F857X SFR Map is as follows:

	0/8	1/9	2/A	3/B	4/C	5/D	6/E	7/F
F8h	-	-	-	BTMCON	CRCINX	CRCREG	OPINX	OPREG
F0h	B	IAPKEY	IAPADL	IAPADH	IAPADE	IAPDAT	IAPCTL	EXADH
E8h	-	EXA0	EXA1	EXA2	EXA3	EXBL	EXBH	OPERCON
E0h	ACC	-	-	-	-	-	-	-
D8h	P5	P5CON	P5PH	-	-	-	-	-
D0h	PSW	PWMCFG	PWMCON0	PWMCON1	PWMPDL	PWMPDH	PWMDFR	PWMFLT
C8h	TXCON	TXMOD	RCAPXL	RCAPXH	TLX	THX	TXINX	WDTCON
C0h	-	-	-	-	US2CON0	US2CON1	US2CON2	US2CON3
B8h	IP	IP1	IP2	INT0R	INT1F	INT1R	INT2F	INT2R
B0h	-	-	-	-	INT0F	ADCCFG2	-	-
A8h	IE	IE1	IE2	ADCCFG0	ADCCFG1	ADCCON	ADCVL	ADCVH
A0h	P2	P2CON	P2PH	-	US1CON0	US1CON1	US1CON2	US1CON3
98h	SCON	SBUF	P0CON	P0PH	-	US0CON1	US0CON2	US0CON3



90h	P1	P1CON	P1PH	-	-	US0CON0	IOHCON0	IOHCON1
88h	TCON	TMOD	TL0	TL1	TH0	TH1	TMCON	OTCON
80h	P0	SP	DPL	DPH	DPL1	DPH1	DPS	PCON
	Bit addressable	Non-bit addressable						

Note: 1.The empty part of the SFR register are not recommended for users.

2. F1H~FFH in SFR are special function registers used for system configuration. Users operate these registers may cause system exceptions. Users should not clear these registers or perform other operations when initializing the system.

## 6.2 SFR Instructions

### 6.2.1 SFR

SFR specific explanations are as follows:

Mnemonic	Add	Description	7	6	5	4	3	2	1	0	POR
P0	80H	P0 port data register	P07	P06	P05	P04	P03	P02	P01	P00	0000000b
SP	81H	Stack pointer	SP[7: 0]								0000111b
DPL	82H	DPTR data pointer low	DPL[7: 0]								0000000b
DPH	83H	DPTR data pointer high	DPH[7: 0]								0000000b
DPL1	84H	DPTR1 data pointer low	DPL1[7: 0]								0000000b
DPH1	85H	DPTR1 data pointer high	DPH1[7: 0]								0000000b
DPS	86H	DPTR selection register	ID1	ID0	TSL	AU1	AU0	-	-	SEL	0000xx0b



PCON	87H	Power management control register	SMOD	-	-	-	RST	-	STOP	IDL	0xxx0x00b
TCON	88H	Timer control register	TF1	TR1	TF0	TR0	IE1	-	IE0	-	00000x0xb
TMOD	89H	Timer operating mode register	-	C/T1	M11	M01	-	C/T0	M10	M00	x000x000b
TL0	8AH	Low 8 bits of timer 0	TL0[7: 0]								00000000b
TL1	8BH	Low 8 bits of timer 1	TL1[7: 0]								00000000b
TH0	8CH	Timer 0 high 8 bits	TH0[7: 0]								00000000b
TH1	8DH	Timer 1 high 8 bits	TH1[7: 0]								00000000b
TMCON	8EH	Timer frequency control register	USMD2[1: 0]	-	-	-	-	-	T1FD	T0FD	00xxxx00b
OTCON	8FH	Output control register	USMD1[1: 0]	USMD0[1: 0]		-		-	-	-	0000xxxxb
P1	90H	P1 port data register	P17	P16	P15	P14	P13	P12	P11	P10	00000000b
P1CON	91H	P1 port input/output control register	P1C7	P1C6	P1C5	P1C4	P1C3	P1C2	P1C1	P1C0	00000000b
P1PH	92H	P1 port pull-up resistor control register	P1H7	P1H6	P1H5	P1H4	P1H3	P1H2	P1H1	P1H0	00000000b
US0CON0	95H	USC10 control register 0	US0CON0[7: 0]								00000000b
IOHCON0	96H	IOH setting register 0	P1H[1: 0]		P1L[1: 0]		P0H[1: 0]		P0L[1: 0]		00000000b
IOHCON1	97H	IOH setting register 1	P5H[1: 0]		P5L[1: 0]		P2H[1: 0]		P2L[1: 0]		00000000b
SCON	98H	Serial control register	SM0	SM1	SM2	REN	TB8	RB8	TI	RI	00000000b
SBUF	99H	Serial data buffer register	SBUF[7: 0]								00000000b



P0CON	9AH	P0 port input/output control register	P0C7	P0C6	P0C5	P0C4	P0C3	P0C2	P0C1	P0C0	0000000b
P0PH	9BH	P0 port pull-up resistor control register	P0H7	P0H6	P0H5	P0H4	P0H3	P0H2	P0H1	P0H0	0000000b
US0CON1	9DH	USCI0 control register 1	US0CON1[7: 0]								0000000b
US0CON2	9EH	USCI0 control register 2	US0CON2[7: 0]								0000000b
US0CON3	9FH	USCI0 control register 3	US0CON3[7: 0]								0000000b
P2	A0H	P2 port data register	P27	P26	P25	P24	P23	P22	P21	P20	0000000b
P2CON	A1H	P2 port input/output control register	P2C7	P2C6	P2C5	P2C4	P2C3	P2C2	P2C1	P2C0	0000000b
P2PH	A2H	P2 port pull-up resistor control register	P2H7	P2H6	P2H5	P2H4	P2H3	P2H2	P2H1	P2H0	0000000b
US1CON0	A4H	USCI1 control register 0	US1CON0[7: 0]								0000000b
US1CON1	A5H	USCI1 control register 1	US1CON1[7: 0]								0000000b
US1CON2	A6H	USCI1 control register 2	US1CON2[7: 0]								0000000b
US1CON3	A7H	USCI1 control register 3	US1CON3[7: 0]								0000000b
IE	A8H	Interrupt enable register	EA	EADC	ET2	EUART	ET1	EINT1	ET0	EINT0	0000000b
IE1	A9H	Interrupt enable register 1	ET4	ET3	-	ETK	EINT2	EBTM	EPWM	EUSCI0	00x00000b
IE2	AAH	Interrupt enable register 2	-	-	-	-	-	-	EUSCI2	EUSCI1	xxxxxx00b
ADCCFG0	ABH	ADC setting register 0	EAIN7	EAIN6	EAIN5	EAIN4	EAIN3	EAIN2	EAIN1	EAIN0	0000000b



ADCCFG1	ACH	ADC setting register 1	EAIN15	EAIN14	EAIN13	EAIN12	EAIN11	EAIN10	EAIN9	EAIN8	0000000b
ADCCON	ADH	ADC control register	ADCEN	ADCS	EOC/ADCIF	ADCIS[4: 0]					0000000b
ADCVL	AEH	ADC Conversion Value Register	ADCV[3: 0]				-	-	-	-	1111xxxxb
ADCVH	AFH	ADC Conversion Value Register	ADCV[11: 4]								11111111b
INT0F	B4H	INT0 falling edge interrupt control register	-	-	-	-	INT0F3	INT0F2	INT0F1	-	xxxx000xb
ADCCFG2	B5H	ADC setting register 2	-	-	-	LOWSP[2: 0]			-	-	xxx000xxb
IP	B8H	Interrupt priority control register	-	IPADC	IPT2	IPUART	IPT1	IPINT1	IPT0	IPINT0	x0000000b
IP1	B9H	Interrupt priority control register 1	IPT4	IPT3	-	IPTK	IPINT2	IPBTM	IPPWM	IPSSIO	00x00000b
IP2	BAH	Interrupt priority control register 2	-	-	-	-	-	-	IPUSC12	IPUSC11	xxxxxx00b
INT0R	BBH	INT0 rising edge interrupt control register	-	-	-	-	INT0R3	INT0R2	INT0R1	-	xxxx000xb
INT1F	BCH	INT1 falling edge interrupt control register	-	-	-	-	INT1F3	INT1F2	INT1F1	INT1F0	xxxx0000b
INT1R	BDH	INT1 rising edge interrupt control register	-	-	-	-	INT1R3	INT1R2	INT1R1	INT1R0	xxxx0000b
INT2F	BEH	INT2 falling edge interrupt control register	-	-	INT2F5	INT2F4	INT2F3	INT2F2	INT2F1	INT2F0	xx000000b
INT2R	BFH	INT2 rising edge interrupt control register	-	-	INT2R5	INT2R4	INT2R3	INT2R2	INT2R1	INT2R0	xx000000b
US2CON0	C4H	USC12 control register 0	US2CON0[7: 0]								00000000b



US2CON1	C5H	USCI2 control register 1	US2CON1[7: 0]								0000000b
US2CON2	C6H	USCI2 control register 2	US2CON2[7: 0]								0000000b
US2CON3	C7H	USCI2 control register 3	US2CON3[7: 0]								0000000b
TXCON	C8H	Timer 2/3/4 control register	TFX	EXFX	RCLK	TCLK	EXENX	TRX	C/TX	CP/RLX	0000000b
TXMOD	C9H	Timer 2/3/4 operating mode register	TXFD	-	EPWMN1	EPWMN0	INVN1	INVN0	TXOE	DCEN	0x000000b
RCAPXL	CAH	Timer 2/3/4 reload low 8 bits	RCAPXL[7: 0]								0000000b
RCAPXH	CBH	Timer 2/3/4 reload high 8 bits	RCAPXH[7: 0]								0000000b
TLX	CCH	Timer 2/3/4 low 8 bits	TLX[7: 0]								0000000b
THX	CDH	Timer 2/3/4 high 8 bits	THX[7: 0]								0000000b
TXINX	CEH	Timer control register pointer	-	-	-	-	-	TXINX[2: 0]		xxxx010b	
WDTCON	CFH	WDT control register	-	-	-	CLRWDT	-	WDTCKS[2: 0]		xxx0x000b	
PSW	D0H	Program status word register	CY	AC	F0	RS1	RS0	OV	F1	P	0000000b
PWMCFG	D1H	PWM0 setting register	INV7	INV6	INV5	INV4	INV3	INV2	INV1	INV0	0000000b
PWMCON0	D2H	PWM0 control register0	ENPWM	PWMIF	PWMCK[1: 0]		-	-	PWMMD[1:0]		0000xx00b
PWMCON1	D3H	PWM0 control register 1	ENPWM7	ENPWM6	ENPWM5	ENPWM4	ENPWM3	ENPWM2	ENPWM1	ENPWM0	x0000000b
PWMPDL	D4H	PWM0 period register low 8 bits	PWMPDL[7:0]								0000000b
PWMPDH	D5H	PWM0 period register high 8 bits	PWMPDH[7:0]								0000000b





PWMDFR	D6H	PWM0 dead time setting register	PDF1[3: 0]				PDR1[3: 0]				0000000b
PWMFLT	D7H	PWM0 fault detection setting register	FLTEN1	FLTSTA1	FLTMD1	FLTLV1	-	-	FLTDT1[1: 0]		0000xx00b
P5	D8H	P5 port data register	-	-	P55	P54	P53	P52	P51	P50	xx000000b
P5CON	D9H	P5 port input/output control register	-	-	P5C5	P5C4	P5C3	P5C2	P5C1	P5C0	xx000000b
P5PH	DAH	P5 port pull-up resistor control register	-	-	P5H5	P5H4	P5H3	P5H2	P5H1	P5H0	xx000000b
ACC	E0H	accumulator	ACC[7: 0]								00000000b
EXA0	E9H	Extended Accumulator 0	EXA[7: 0]								00000000b
EXA1	EAH	Extended Accumulator 1	EXA[15: 8]								00000000b
EXA2	EBH	Extended Accumulator 2	EXA[23: 16]								00000000b
EXA3	ECH	Extended Accumulator 3	EXA[31: 24]								00000000b
EXBL	EDH	Extended B register L	EXB [7: 0]								00000000b
EXBH	EEH	Extended B register H	EXB [15: 8]								00000000b
OPERCON	EFH	Arithmetic control register	OPERS	MD	-	-	-	-	CRCRST	CRCSTA	00xxxx00b
B	F0H	B register	B[7: 0]								00000000b
IAPKEY	F1H	IAP protection register	IAPKEY[7: 0]								00000000b
IAPADL	F2H	IAP write address low register	IAPADR[7: 0]								00000000b
IAPADH	F3H	IAP write address high register	IAPADR[15: 8]								00000000b



IAPADE	F4H	IAP write to extended address register	IAPADER[7: 0]							0000000b
IAPDAT	F5H	IAP data register	IAPDAT[7: 0]							0000000b
IAPCTL	F6H	IAP control register	BTLD	-	SERASE	PRG	-	-	CMD[1: 0]	0x00xx00b
EXADH	F7H	High-bit address of external SRAM operation address	-	-	-	-	EXADH [3: 0]		xxxx0000b	
BTMCON	FBH	Low frequency timer control register	ENBTM	BTMIF	-	-	BTMFS[3: 0]		00xx0000b	
CRCINX	FCH	CRC pointer	CRCINX[7: 0]							0000000b
CRCREG	FDH	CRC register	CRCREG[7: 0]							nnnnnnnbb
OPINX	FEH	Option pointer	OPINX[7: 0]							0000000b
OPREG	FFH	Option register	OPREG[7: 0]							nnnnnnnbb

**6.2.2 PWM0 Duty Cycle Adjustment Register(R/W)**

ADD	7	6	5	4	3	2	1	0	POR
1040H	PDT00[15:8]								00000000b
1041H	PDT00[7:0]								00000000b
1042H	PDT01[15:8]								00000000b
1043H	PDT01[7:0]								00000000b
1044H	PDT02[15:8]								00000000b
1045H	PDT02[7:0]								00000000b
1046H	PDT03[15:8]								00000000b
1047H	PDT03[7:0]								00000000b
1048H	PDT04[15:8]								00000000b
1049H	PDT04[7:0]								00000000b
104AH	PDT05[15:8]								00000000b



104BH	PDT05[7:0]	00000000b
104CH	PDT06[15:8]	00000000b
104DH	PDT06[7:0]	00000000b
104EH	PDT07[15:8]	00000000b
104FH	PDT07[7:0]	00000000b

### 6.2.3 PWM2~4 Duty Cycle Adjustment Register(R/W)

ADD	7	6	5	4	3	2	1	0	POR
1034H	PDT20[15:8]								00000000b
1035H	PDT20[7:0]								00000000b
1036H	PDT21[15:8]								00000000b
1037H	PDT21[7:0]								00000000b
1038H	PDT30[15:8]								00000000b
1039H	PDT30[7:0]								00000000b
1103AH	PDT31[15:8]								00000000b
103BH	PDT31[7:0]								00000000b
103CH	PDT40[15:8]								00000000b
103DH	PDT40[7:0]								00000000b
103EH	PDT41[15:8]								00000000b
103FH	PDT41[7:0]								00000000b

### 6.2.4 Introduction of Common Special Function Registers of 8051 Core

#### Program Counter PC

The program counter PC does not belong to the SFR register. The PC has 16 bits and is a register used to control the order of execution of instructions. After the MCU is powered on or reset, the PC value is 0000H, which means that the MCU program starts executing the program from the 0000H address.

#### Accumulator ACC (E0H)



The accumulator ACC is one of the most commonly used registers of the 8051 core single-chip microcomputer, and A is used as a mnemonic in the instruction set. Commonly used to store operands and results that participate in calculations or logical operations.

### B Register (F0H)

The B register must be used with the accumulator A in multiplication and division operations. The multiplication instruction MUL A, B multiplies the 8-bit unsigned number in accumulator A and register B. The low-bit byte of the resulting 16-bit product is placed in A, and the high-bit byte is placed in B. The division instruction DIV A, B divides A by B, the integer quotient is placed in A, and the remainder is placed in B. Register B can also be used as a general temporary storage register.

### Stack Pointer SP (81H)

The stack pointer is an 8-bit special register that indicates the location of the top of the stack in general-purpose RAM. After the Microcontroller unit (MCU) is reset, the initial value of SP is 07H, that is, the stack will increase upward from 08H. 08H~1FH is operating register group 1~3.

PSW (D0H) Program Status Word Register (read/write)

Bit number	7	6	5	4	3	2	1	0
Bit Mnemonic	CY	AC	F0	RS1	RS0	OV	F1	P
R/W	R/W	R/W	R/W	R/W	R/W	R/W	R/W	R/W
POR	0	0	0	0	0	0	0	0

Bit number	Bit Mnemonic	Description
7	<b>CY</b>	Flag 1: When there is a carry in the highest bit of addition, or a borrow in the highest bit of subtraction 0: When there is no carry in the highest bit of addition, or there is no borrow in the highest bit of subtraction
6	<b>AC</b>	Carry auxiliary flag (can be easily adjusted during the addition and subtraction of BCD code) 1: When the addition operation has a carry in bit3, or the subtraction operation has a borrow in bit3



		0: No borrowing, carry															
5	<b>F0</b>	User flag															
4~3	<b>RS1,RS0</b>	Operating register group selection bits: <table border="1" style="margin-left: 20px;"> <thead> <tr> <th>RS1</th> <th>RS0</th> <th>Operating register set currently in use 0~3</th> </tr> </thead> <tbody> <tr> <td>0</td> <td>0</td> <td>TEAM 0 (00H~07H)</td> </tr> <tr> <td>0</td> <td>1</td> <td>TEAM 1 (08H~0FH)</td> </tr> <tr> <td>1</td> <td>0</td> <td>TEAM 2 (10H~17H)</td> </tr> <tr> <td>1</td> <td>1</td> <td>TEAM 3 (18H~1FH)</td> </tr> </tbody> </table>	RS1	RS0	Operating register set currently in use 0~3	0	0	TEAM 0 (00H~07H)	0	1	TEAM 1 (08H~0FH)	1	0	TEAM 2 (10H~17H)	1	1	TEAM 3 (18H~1FH)
RS1	RS0	Operating register set currently in use 0~3															
0	0	TEAM 0 (00H~07H)															
0	1	TEAM 1 (08H~0FH)															
1	0	TEAM 2 (10H~17H)															
1	1	TEAM 3 (18H~1FH)															
2	<b>OV</b>	Overflow flag															
1	<b>F1</b>	F1 flag User-defined flag															
0	<b>P</b>	Parity flag. This flag bit is the parity value of the number of 1s in the accumulator ACC.  1: The number of 1s in ACC is odd  0: The number of 1s in ACC is even (including 0)															

**Data Pointers**

The SC95F857X has two data pointers DPTR0 and DPTR1. Data pointers DPTR0/DPTR1 are 16-bit special registers, which are composed of low 8-bit DPL/DPL1 and high 8-bit DPH/DPH1. DPTR0/DPTR1 is a register that can directly perform 16-bit operations, and can also operate on DPL and DPH in bytes respectively. The selection and operating status of the data pointer DPTR0/DPTR1 are set by the data pointer selection register DPS.

**DPS(86H)Data Pointer Selection Register (read/write)**



Bit number	7	6	5	4	3	2	1	0
Bit Mnemonic	ID1	ID0	TSL	AU1	AU0	-	-	SEL
R/W	R/W	R/W	R/W	R/W	R/W	-	-	R/W
POR	0	0	0	0	0	x	x	0

Bit number	Bit Mnemonic	Description
7	<b>ID1</b>	<p>DPTR1 plus or minus control bit</p> <p>0: When AU1=1, whenever the MOVC/MOVX @DPTR is executed, the current DPTR1 will automatically increase by 1.</p> <p>1: When AU1=1, whenever MOVC/MOVX @DPTR is executed, the current DPTR1 will automatically decrease by 1.</p>
6	<b>ID0</b>	<p>DPTR plus or minus control bit</p> <p>0: When AU0=1, whenever MOVC/MOVX @DPTR is executed, the current DPTR0 will automatically increase by 1.</p> <p>1: When AU0=1, whenever MOVC/MOVX @DPTR is executed, the current DPTR0 will automatically decrease by 1.</p>
5	<b>TSL</b>	<p>SEL flip control bit</p> <p>0: Whenever MOVC/MOVX @DPTR is executed, DPS.0 (SEL) does not flip</p> <p>1: Whenever MOVC/MOVX @DPTR is executed, DPS.0 (SEL) flips once</p>
4	<b>AU1</b>	<p>DPTR1 automatic plus and minus control bit</p> <p>0: None</p> <p>1: Whenever MOVC/MOVX @DPTR is executed, the current DPTR1 will increase or decrease by 1 (depending on ID1)</p>



3	<b>AU0</b>	DPTR automatic plus and minus control bit  0: None  1: Whenever MOVC/MOVX @DPTR is executed, the current DPTR0 will increase or decrease by 1 (depending on ID0)
0	<b>SEL</b>	DPTR0, DPTR1 selection bits  0: MOVC/MOVX @DPTR object is DPTR0  1: MOVC/MOVX @DPTR object is DPTR1
2~1	-	reserved

## 7 Power, Reset And System Clock

### 7.1 Power Circuit

The SC95F857X power supply system includes BG, LDO, POR, LVR and other circuits, which can achieve reliable operation in the range of 2.0~5.5V. In addition, the IC has a built-in, accurate 2.048V/1.024V/2.4V voltage that can be used as an internal reference voltage for the ADC. Users can find the specific settings in the [18 analog-to-digital converter \(ADC\)](#).

### 7.2 Power-on Reset

After the SC95F857X power-on, the processes carried out before execution of client software are as follows:

- Reset stage
- Loading information stage
- Normal operation stage

#### 7.2.1 Reset Stage

The SC95F857X will always be reset until the voltage supplied to SC95F857X is higher than a certain voltage, and the internal Clock starts to be effective. The duration of reset stage is related to rising speed of external power. Once the external supply voltage is up to built-in POR voltage, the reset stage would be completed.

#### 7.2.2 Loading Information Stage

There is a warm-up counter inside The SC95F857X. During the reset stage, the warm-up counter is cleared to 0 until the voltage exceeds the POR voltage, the internal RC oscillator starts to oscillate, and the warm-up counter starts counting. When the internal warm-up counter counts to a certain number, every certain number of HRC clocks will read a byte of data from the IFB (including Code Option) in the Flash ROM and store it in the internal system register. This reset signal will not end until the warm-up is completed.

#### 7.2.3 Normal Operation Stage

After finishing the Loading Information stage, The SC95F857X starts to read the instruction code from Flash and enters the normal operation stage. The LVR voltage is the set value of Code Option written by the user.

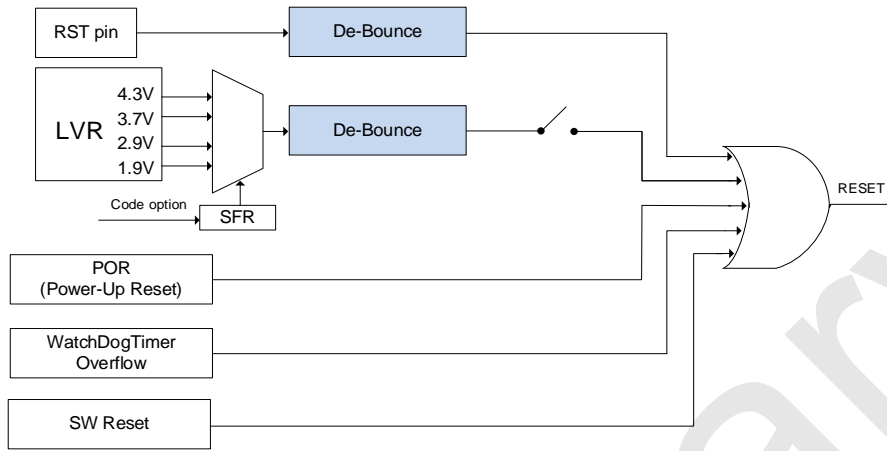
### 7.3 Reset Modes

The SC95F857X has 5 reset methods, the first four are hardware reset:

1. External reset
2. Low-voltage reset LVR
3. Power-on reset POR
4. Watchdog WDT reset
5. Software reset.

The circuit diagram of the reset part of the SC95F857X is as follows:



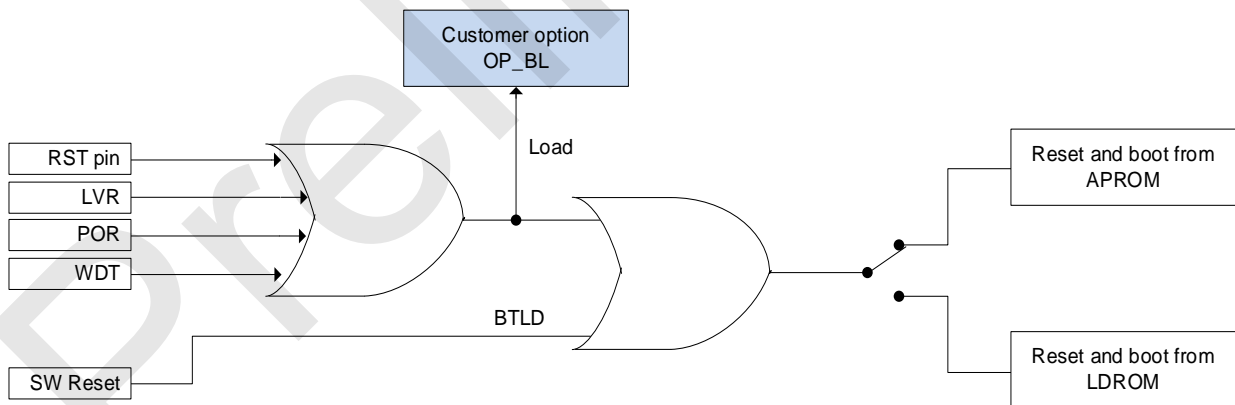


SC95F857X Reset circuit diagram

After reset the boot area:

After the external RST reset, low voltage reset LVR, power-on reset POR, watchdog WDT, the chip starts from the boot region (APROM/LDROM) set by the user OP\_BL.

After the software is reset, the chip is started according to the boot region (APROM/LDROM) set by BTLD (IAPCTL.7).



SC95F857X's boot area switch after reset

### 7.3.1 External Reset

External reset is a reset pulse signal of a certain width given to SC95F857X from external RST pin to realize the reset of SC95F857X. The user can configure the P1.1 pin as RST (reset pin) by Code Option.



### 7.3.2 Low-voltage Reset LVR

The SC95F857X provides a low-voltage reset circuit. There are 4-level LVR voltage options: 4.3V, 3.7V, 2.9V, 1.9V. The default value is the Option value written by the user. A reset occurs when the VDD voltage is less than the threshold voltage for low-voltage reset and the duration is greater than  $T_{LVR}$ . Among them,  $T_{LVR}$  is the buffering time of LVR, about 30 $\mu$ s.

#### OP\_CTM0(C1H@FFH) Code Option Register 0 (read/write)

Bit number	7	6	5	4	3	2	1	0
Bit Mnemonic	ENWDT	ENXTL	SCLKS[1: 0]		DISRST	DISLVR	LVRS[1: 0]	
R/W	R/W	R/W	R/W		R/W	R/W	R/W	
POR	n	n	n		n	n	n	

Bit number	Bit Mnemonic	Description
2	<b>DISLVR</b>	LVR enable setting 0: LVR valid 1: LVR invalid
1~0	<b>LVRS [1: 0]</b>	LVR voltage threshold selection control 11: 4.3V reset 10: 3.7V reset 01: 2.9V reset 00: 1.9V reset

### 7.3.3 Power-on Reset (POR)

The SC95F857X has a power-on reset circuit inside. When the power supply voltage  $V_{DD}$  reaches the POR reset voltage, the system automatically resets.

### 7.3.4 Watchdog Reset (WDT)



The SC95F857X has a WDT, the clock source of which is the internal 32 kHz LRC. The user can choose whether to enable the watchdog reset function by Code Option.

**OP\_CTM0 (C1H@FFH) Code Option Register 0 (read/write)**

Bit number	7	6	5	4	3	2	1	0
Bit Mnemonic	ENWDT	ENXTL	SCLKS[1: 0]		DISRST	DISLVR	LVRS[1: 0]	
R/W	R/W	R/W	R/W		R/W	R/W	R/W	
POR	n	n	n		n	n	n	

Bit number	Bit Mnemonic	Description
7	<b>ENWDT</b>	WDT control bit (This bit is transferred by the system to the value set by the user Code Option)  1: WDT valid 0: WDT invalid

**WDTCON (CFH) WDT Control Register (read/write)**

Bit number	7	6	5	4	3	2	1	0
Bit Mnemonic	-	-	-	CLRWDT	-	WDTCKS[2: 0]		
R/W	-	-	-	R/W	-	R/W		
POR	x	x	x	0	x	0	0	0

Bit number	Bit Mnemonic	Description
------------	--------------	-------------



4	<b>CLRWDT</b>	Clear WDT (Only valid when set to 1) 1: WDT counter restart, cleared by system hardware																		
2~0	<b>WDTCKS [2: 0]</b>	Watchdog clock selection <table border="1"> <thead> <tr> <th>WDTCKS[2: 0]</th> <th>WDT overflow time</th> </tr> </thead> <tbody> <tr> <td>000</td> <td>500ms</td> </tr> <tr> <td>001</td> <td>250ms</td> </tr> <tr> <td>010</td> <td>125ms</td> </tr> <tr> <td>011</td> <td>62.5ms</td> </tr> <tr> <td>100</td> <td>31.5ms</td> </tr> <tr> <td>101</td> <td>15.75ms</td> </tr> <tr> <td>110</td> <td>7.88ms</td> </tr> <tr> <td>111</td> <td>3.94ms</td> </tr> </tbody> </table>	WDTCKS[2: 0]	WDT overflow time	000	500ms	001	250ms	010	125ms	011	62.5ms	100	31.5ms	101	15.75ms	110	7.88ms	111	3.94ms
WDTCKS[2: 0]	WDT overflow time																			
000	500ms																			
001	250ms																			
010	125ms																			
011	62.5ms																			
100	31.5ms																			
101	15.75ms																			
110	7.88ms																			
111	3.94ms																			
7~5,3	-	Reserved																		

### 7.3.5 Software Reset

#### PCON (87h) Power Management Control Register (write only, \*unreadable\*)

Bit number	7	6	5	4	3	2	1	0
Bit Mnemonic	SMOD	-	-	-	RST	-	STOP	IDL
R/W	write only	-	-	-	Write only	-	Write only	Write only



POR	0	x	x	x	n	x	0	0
-----	---	---	---	---	---	---	---	---

Bit number	Bit Mnemonic	Description
3	<b>RST</b>	Software reset control bit:  Write status:  0: The program runs normally;  1: The CPU resets immediately after this bit is written to "1"

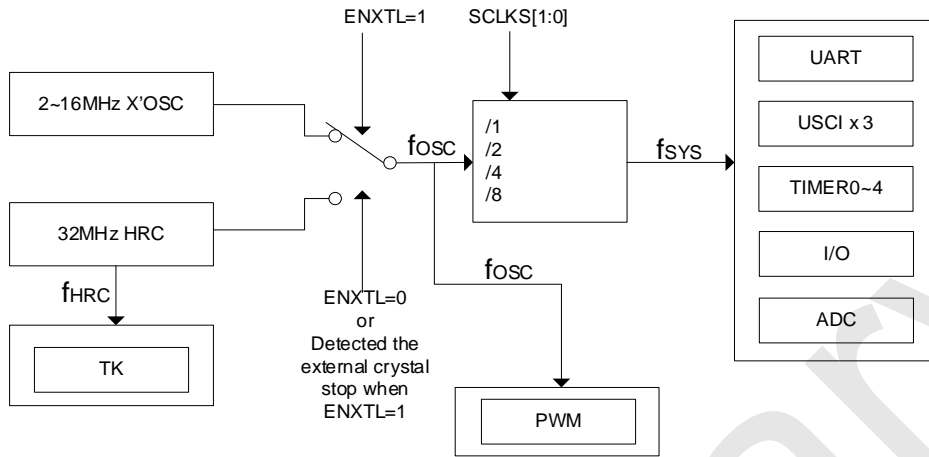
## 7.4 High- frequency System Clock Circuit

The SC95F857X has a built-in high-precision high-frequency oscillator (HRC) with adjustable oscillation frequency and a crystal oscillator circuit, one of which the user can choose as the system clock. The HRC is accurately adjusted to 32 MHz@5V/25°C at the factory. Users can set the system clock to 32/16/ 8/4 MHz through the Code Option when programming. The purpose of adjustment process is to filter out the effect of process deviations on accuracy .This HRC will have a certain drift under the influence of the ambient temperature and operating voltage: in 2.0V ~ 5.5V,-40 ~ 85°C application environment, frequency error does not exceed ±1.

In order to enhance the reliability of the system, the SC95F857X is built with a system clock monitoring circuit. When the user selects the system clock source as the crystal oscillator and the crystal oscillator circuit stops, the system clock source will be automatically switched to the built-in HRC and will remain in this state until the next reset.

### Note:

1. The clock source of the TK circuits is fixed at  $f_{HRC}$ .



SC95F857X Internal clock relationship

**OP\_CTM0 (C1H@FFH) Code Option Register 0 (read/write)**

Bit number	7	6	5	4	3	2	1	0
Bit Mnemonic	ENWDT	ENXTL	SCLKS[1: 0]		DISRST	DISLVR	LVRS[1: 0]	
R/W	R/W	R/W	R/W		R/W	R/W	R/W	
POR	n	n	n		n	n	n	

Bit number	Bit Mnemonic	Description
6	ENXTL	<p>External high frequency crystal oscillator selector switch</p> <p>0: External high frequency crystal oscillator off, P5.0, P5.1 are valid;</p> <p>1: External high-frequency crystal oscillator on, P5.0, P5.1 are invalid.</p> <p>Note: The clock source of the touch circuit is fixed at fHRC = 32MHz and will not change with the switch of internal and external system clocks.</p>



5~4	<b>SCLKS[1: 0]</b>	<p>System clock frequency selection bits</p> <p>00: System clock frequency is HRC frequency divided by 1;</p> <p>01: System clock frequency is HRC frequency divided by 2;</p> <p>10: System clock frequency is HRC frequency divided by 4;</p> <p>11: System clock frequency is HRC frequency divided by 8;</p>
-----	--------------------	--

The SC95F857X has a special function: the user can modify the value of SFR to adjust the HRC frequency within a certain range. The user can achieve this by configuring the OP\_HRCR register. For details about how to configure the register, see section [5.9.1 Option Related SFR Operation Instructions](#).

**OP\_HRCR (83h@FFH) System Clock Change Register (read/write)**

Bit number	7	6	5	4	3	2	1	0
Bit Mnemonic	OP_HRCR[7: 0]							
R/W	R/W							
POR	n	n	n	n	n	n	n	n

Bit number	Bit Mnemonic	Description
7~0	<b>OP_HRCR[7: 0]</b>	<p><b>HRC frequency change register</b></p> <p>The user can change the high-frequency oscillator frequency <math>f_{HRC}</math> by modifying the value of this register, and then change the system clock frequency <math>f_{sys}</math> of the IC:</p> <ol style="list-style-type: none"> <li>1.The initial value of OP_HRCR[7: 0] after power-on OP_HRCR[s] is a fixed value to ensure that <math>f_{HRC}</math> is 32 MHz, OP_HRCR[s] of each IC may be different</li> <li>2.When the initial value is OP_HRCR[s], the system clock frequency <math>f_{sys}</math> of the IC can be set to an accurate 32/16/8/4 MHz through the Option item. When OP_HRCR [7: 0] changes by 1, the <math>f_{sys}</math> frequency changes by about 0.18%</li> </ol>



		<p>The relationship between OP_HRCR [7: 0] and HRC output frequency is as follows:</p> <table border="1"> <tr> <td>OP_HRCR [7: 0] value</td> <td>f<sub>sys</sub> actual output frequency (32M as an example)</td> </tr> <tr> <td>OP_HRCR [s]-n</td> <td><math>32000 * (1 - 0.18\% * n)</math> kHz</td> </tr> <tr> <td>...</td> <td>....</td> </tr> <tr> <td>OP_HRCR [s]-2</td> <td><math>32000 * (1 - 0.18\% * 2) = 31\ 884.8</math> kHz</td> </tr> <tr> <td>OP_HRCR [s]-1</td> <td><math>32000 * (1 - 0.18\% * 1) = 31\ 942.4</math> kHz</td> </tr> <tr> <td>OP_HRCR [s]</td> <td>32000 kHz</td> </tr> <tr> <td>OP_HRCR [s]+1</td> <td><math>32000 * (1 + 0.18\% * 1) = 32\ 057.6</math> kHz</td> </tr> <tr> <td>OP_HRCR [s]+2</td> <td><math>32000 * (1 + 0.18\% * 2) = 32\ 115.2</math> kHz</td> </tr> <tr> <td>...</td> <td>...</td> </tr> <tr> <td>OP_HRCR [s]+n</td> <td><math>32000 * (1 + 0.18\% * n)</math> kHz</td> </tr> </table> <p>Note:</p> <ol style="list-style-type: none"> <li>1. After each power-on of the IC, the value of OP_HRCR[7: 0] is the value of the HRC closest to 32/16/8/4 MHz; With the help of EEPROM, the user can correct the value of HRC after each power-on to allow HRC of the IC to work at Frequency required by users;</li> <li>2. In order to ensure the reliable operation of the IC, the maximum operating frequency of the IC should not exceed 10% of 32 MHz, that is 35.2 MHz;</li> <li>3. Please confirm that the change of HRC frequency will not affect other functions.</li> </ol>	OP_HRCR [7: 0] value	f <sub>sys</sub> actual output frequency (32M as an example)	OP_HRCR [s]-n	$32000 * (1 - 0.18\% * n)$ kHz	...	....	OP_HRCR [s]-2	$32000 * (1 - 0.18\% * 2) = 31\ 884.8$ kHz	OP_HRCR [s]-1	$32000 * (1 - 0.18\% * 1) = 31\ 942.4$ kHz	OP_HRCR [s]	32000 kHz	OP_HRCR [s]+1	$32000 * (1 + 0.18\% * 1) = 32\ 057.6$ kHz	OP_HRCR [s]+2	$32000 * (1 + 0.18\% * 2) = 32\ 115.2$ kHz	...	...	OP_HRCR [s]+n	$32000 * (1 + 0.18\% * n)$ kHz
OP_HRCR [7: 0] value	f <sub>sys</sub> actual output frequency (32M as an example)																					
OP_HRCR [s]-n	$32000 * (1 - 0.18\% * n)$ kHz																					
...	....																					
OP_HRCR [s]-2	$32000 * (1 - 0.18\% * 2) = 31\ 884.8$ kHz																					
OP_HRCR [s]-1	$32000 * (1 - 0.18\% * 1) = 31\ 942.4$ kHz																					
OP_HRCR [s]	32000 kHz																					
OP_HRCR [s]+1	$32000 * (1 + 0.18\% * 1) = 32\ 057.6$ kHz																					
OP_HRCR [s]+2	$32000 * (1 + 0.18\% * 2) = 32\ 115.2$ kHz																					
...	...																					
OP_HRCR [s]+n	$32000 * (1 + 0.18\% * n)$ kHz																					

### 7.5 Low- frequency RC Oscillator and Low- frequency Clock Timer





The SC95F857X built-in a 32 kHz RC oscillator circuit, can be used as the source of Base Timer and WDT. Enable Base Timer or WDT can enable 32kHz low frequency oscillator

Base timer can wake the CPU from STOP mode and generate an interrupt.

**BTMCON (FBH) Low-frequency Timer Control Register (read/write)**

Bit number	7	6	5	4	3	2	1	0
Bit Mnemonic	ENBTM	BTMIF	-	-	BTMFS[3: 0]			
R/W	R/W	R/W	-	-	R/W			
POR	0	0	x	x	0	0	0	0

Bit number	Bit Mnemonic	Description
7	<b>ENBTM</b>	Low frequency Base Timer start control 0: Base Timer do not start 1: Base Timer start
6	<b>BTMIF</b>	Base Timer interrupt application flag When the CPU accepts the Base Timer interrupt, this flag will be automatically cleared by hardware.
3~0	<b>BTMFS [3: 0]</b>	Low frequency clock interrupt frequency selection 0000: An interrupt is generated every 15.625ms 0001: An interrupt is generated every 31.25ms 0010: An interrupt is generated every 62.5ms 0011: An interrupt is generated every 125ms 0100: An interrupt is generated every 0.25 seconds 0101: An interrupt is generated every 0.5 seconds 0110: An interrupt is generated every 1.0 seconds



		0111: An interrupt is generated every 2.0 seconds 1000: An interrupt is generated every 4.0ms 1001: An interrupt is generated every 8.0 seconds 1010: An interrupt is generated every 16.0 seconds 1011: An interrupt is generated every 32.0 seconds 1100~1111: reserved
5~4	-	reserved

## 7.6 STOP Mode and IDLE Mode

The SC95F857X supports a special function register PCON, config this register can get MCU into different working mode.

Setting the PCON.1 bit enters STOP mode. STOP mode stops the internal high-frequency oscillator in order to minimize power consumption. In STOP mode, users can wake up the SC95F857X through external interrupts INT0~2, low frequency clock interrupt and TK. Also STOP mode can be awakened by an external reset.

Setting the PCON.0 bit enters IDLE mode. In IDLE mode the program stops running and all CPU states are saved before entering IDLE mode. IDLE mode can be woken up by any interrupt.

### PCON (87H) Power Management Control Register (read/write) (write only, \*not readable\*)

Bit number	7	6	5	4	3	2	1	0
Bit Mnemonic	SMOD	-	-	-	RST	-	STOP	IDL
R/W	Write only	-	-	-	Write only	-	Write only	Write only
POR	0	x	x	x	n	x	0	0

Bit number	Bit Mnemonic	Description
1	<b>STOP</b>	STOP mode bit.



		<p>0: Normal operating mode</p> <p>1: Energy saving mode, high frequency oscillator stops working, low frequency oscillator and WDT can be selected according to the setting.</p>
0	<b>IDL</b>	<p>IDLE mode bit.</p> <p>0: Normal operating mode</p> <p>1: Energy saving mode, program stops running, but the external device and clock continue to run. All CPU states are saved before entering IDLE mode.</p>

**Notes: When Configuring MCU to enter STOP or IDLE mode, the instruction of configuring PCON register should be followed by 12 “NOP” instructions rather than other instructions. Or else, it will be unable to execute following instructions normally after wake-up!**

For example: set MCU to enter STOP mode:

Example in C Language

```
#include"intrins.h"
```

```
PCON |= 0x02; // PCON bit1 STOP bit write 1, configure the MCU to enter STOP mode
```

```
_nop_(); // At least 12 _nop_() are required
```

```
_nop_();
```

```
_nop_();
```

```
_nop_();
```

```
_nop_();
```

```
_nop_();
```

```
_nop_();
```

```
_nop_();
```

```
_nop_();
```

```
_nop_();
```

```
_nop_();
```

```
_nop_();
```

```
.....
```





In direct addressing mode, the instruction operand field gives the address of the operand to participate in the operation. The direct addressing mode can only be used to represent special function registers, internal data registers, and bit address spaces. The special function registers and bit address spaces can only be accessed by direct addressing.

Examples are as follows:

```
ANL 50H, #91H
```

(indicating that the number in the 50H unit is ANDed with the immediate 91H, and the result is stored in the 50H unit. 50H is direct address, representing a unit in the internal data register RAM. )

### 8.2.3 Indirect Addressing

Indirect addressing is indicated by adding the "@" symbol before R0 or R1. Assuming that the data in R1 is 40H, and the data in the internal data memory 40H unit is 55H, the instruction is

```
MOV A, @R1 (Move data 55H to accumulator A).
```

### 8.2.4 Register Addressing

When register addressing, operate on the selected operating registers R7~R0, accumulator A, general register B, address register and carry C. Registers R7~R0 are represented by the low three bits of the instruction code, and ACC, B, DPTR and carry bit C are implicitly contained in the instruction code. Therefore, register addressing also includes an implicit addressing method. The selection of the register operating area is determined by RS1 and RS0 in the program status word register PSW. The register specified by the instruction operand refers to the register in the current operating area.

```
INC R0 Refers to(R0)+1→R0
```

### 8.2.5 Relative Addressing

Relative addressing is to add the current value in the program counter PC to the number given by the second byte of the instruction, and the result is used as the branch address of the branch instruction. The branch address also becomes the branch destination address, the current value in the PC becomes the base address, and the number given by the second byte of the instruction becomes the offset. Since the destination address is relative to the base address in the PC, this addressing method becomes relative addressing. The offset is a signed number, and the range that can be expressed is -128~+127. This addressing method is mainly used for branch instructions.

```
JC $+50H
```

It means that if the carry bit C is 0, the content in the program counter PC does not change, that is, it does not transfer. If the carry bit C is 1, the current value as base address in the PC plus the offset 50H will be used as the destination address of the branch instruction.

### 8.2.6 Indexed Addressing

In the indexed addressing mode, the instruction operand specifies an index register that stores the index base address. In indexed addressing, the offset is added to the index base value, and the result is used as the address of the operand. The index registers are the program counter PC and the address register DPTR.

```
MOVC A, @A+DPTR
```

It indicates that the accumulator A is an offset register, and its content is added to the content of the address register DPTR. The result is used as the address of the operand, and the number in this unit is taken out and sent to the accumulator A.



### 8.2.7 Bits Addressing

Bit addressing refers to the addressing mode when performing bit operations on some internal data memory RAMs and special function registers that can perform bit operations. When performing bit operations, with the help of carry bit C as a bit operation accumulator, the instruction operand directly gives the address of the bit, and then performs bit operation on the bit according to the nature of the opcode. The bit address is exactly the same as the byte address encoding method in direct byte addressing, which is mainly distinguished by the nature of the operation instruction, and special attention should be paid when using it.

MOV C, 20H (The value of the bit manipulation register with address 20H is sent to carry bit C)



## 9 Interrupts

SC95F857X provides 16 interrupt sources: TIMER 0~4, INT0~2, ADC, PWM, UART, USCI0~2, BASE TIMER, TK. The 16 interrupt sources are divided into two interrupt priorities and can be set to either high or low priority separately. Three external interrupts can be set as up, down or both trigger conditions for each interrupt source respectively. Each interrupt has its own priority setting bit, interrupt flag, interrupt vector and enable bit respectively. The total enable bit EA can open or close all interrupts.

### 9.1 Interrupt Source and Vector

The list of the SC95F857X interrupt sources, interrupt vectors, and related control bits are as follows:

Interrupt Source	Interrupt condition	Interrupt Flag	Interrupt Enable Control	Interrupt Priority Control	Interrupt Vector	Query Priority	Interrupt Number (C51)	Flag Clear Mode	Capability of Waking up STOP
INT0	External interrupt 0 conditions are met	IE0	EINT0	IPINT0	0003H	1 (HIGH)	0	H/W Auto	YES
Timer 0	Timer 0 overflow	TF0	ET0	IPT0	000BH	2	1	H/W Auto	NO
INT1	External interrupt 1 conditions are met	IE1	EINT1	IPINT1	0013H	3	2	H/W Auto	YES
Timer 1	Timer 1 overflow	TF1	ET1	IPT1	001BH	4	3	H/W Auto	NO
UART	Receive or send completed	RI/TI	EUART	IPUART	0023H	5	4	Must user Clear	NO
Timer 2	Timer 2 overflow	TF2	ET2	IPT2	002BH	6	5	Must user Clear	NO
ADC	ADC conversion completed	ADCIF	EADC	IPADC	0033H	7	6	Must user Clear	NO



USCI0	Receive or send completed	SPIF0/TWIF0	EUSCI0	IPSPI	003BH	8	7	Must user Clear	NO
PWM	PWM overflow	PWMIF	EPWM	IPPWM	0043H	9	8	Must user Clear	NO
BTM	Base timer overflow	BTMIF	EBTM	IPBTM	004BH	10	9	H/W Auto	YES
INT2	External interrupt 2 conditions are met	-	EINT2	IPINT2	0053H	11	10	-	YES
TK	Touch Key counter overflowed	TKIF	ETK	IPTK	005BH	12	11	H/W Auto	YES
Timer 3	Timer 3 overflow	TFX	ET3	IPT3	006BH	14	13	Must user Clear	NO
Timer 4	Timer 4 overflow	TFX	ET4	IPT4	0073H	15	14	Must user Clear	NO
USCI1	Receive or send completed	SPIF1/TWIF1	EUSCI1	IPSPI1	007BH	16	15	Must user Clear	NO
USCI2	Receive or send completed	SPIF2/TWIF2	EUSCI2	IPSPI2	0083H	17	16	Must user Clear	NO

Under the circumstance where the master interrupt control bit EA and the respective interrupt control bit have been enable, the interrupt occurrence is shown below:

**Timer Interrupt:** Interrupt generates when Timer 0 or Timer 1 overflows and the interrupt flag TF0 or TF1 is set to “1”. When the microcontroller unit responds to the timer interrupt, the interrupt flag TF0 or TF1 is reset automatically by hardware. Interrupt generates when Timer 2 overflows and the interrupt flag TF2 is set to “1”. Once Timer 2 interrupt generates, the hardware would not automatically clear TF2 bit, which must be cleared by the user’s software.

**ADC Interrupt:** After ADC conversion is completed, ADC interrupt generates, whose interrupt flag is the ADC conversion completion flag EOC/ADCIF (ADCCON.5). When user starts ADCS conversion, EOC will be reset





automatically by hardware. Once conversion completes, EOC would be set to “1” automatically by hardware. User should clear the ADC interrupt flag by software when the interrupt service routine is executed after ADC interrupt generates.

**USCI Interrupt:** When USCI completes receiving or transmitting a frame of data, SPIF/TWIF bit will be set to “1” automatically by hardware, and USCI interrupt generates. When the microcontroller unit serves USCI interrupt, the interrupt flag SPIF/TWIF must be cleared by software.

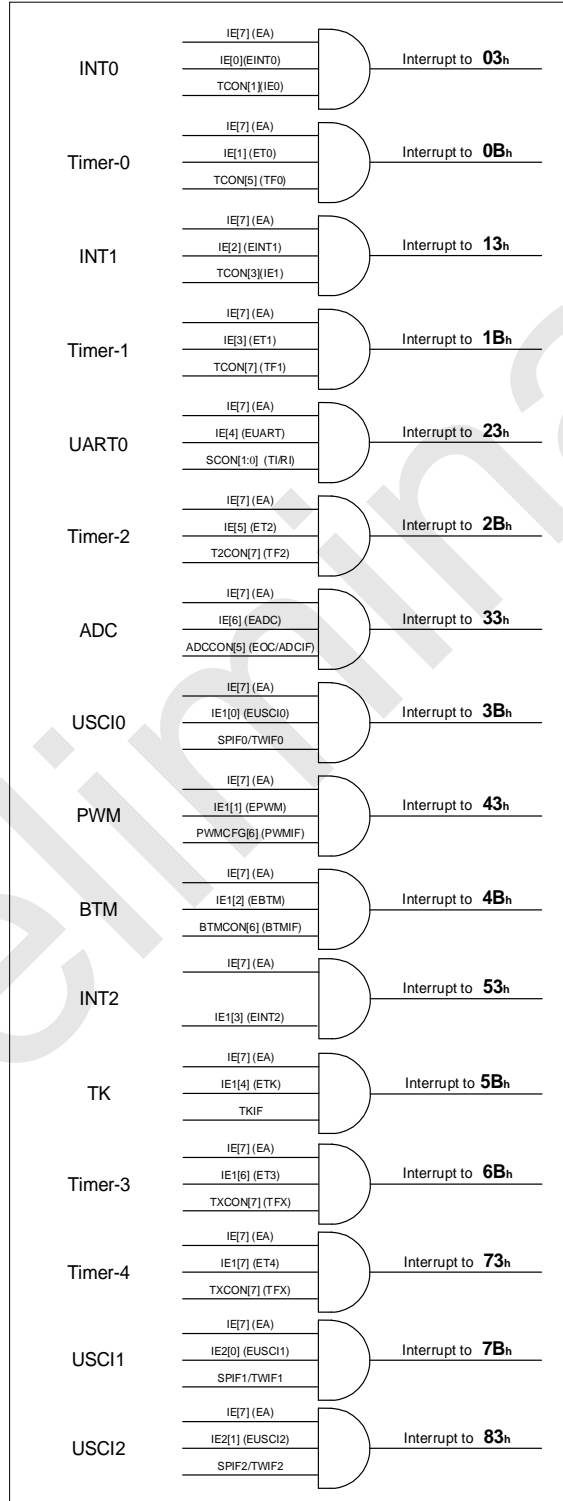
**PWM Interrupt:** When PWM counter overflows (counter beyond PWMPRD), PWMIF(PWM interrupt flag) will be set as 1 automatically by hardware, and PWM interrupt occurs. Once PWM interrupt occurs, the hardware would not clear the interrupt flag automatically, which shall be cleared by user’s software.

**External Interrupt INT0 ~ 2:** When any external interrupt pin meets the interrupt conditions, external interrupt generates. INT0 has 3 external interrupt source, INT1 has 4 external interrupt source, INT2 has 6 external interrupt source, User can set rising edge, falling edge or double edge by setting SFR(INTxF and INTxR). User can set the priority level of each interrupt through IP register. Besides, external interrupt INT0 ~ 2 can also wake up STOP mode of microcontroller unit.



## 9.2 Interrupt Structure Diagram

The interrupt structure of SC95F857X is shown below:



SC95F857X Interrupt structure and vector



### 9.3 Interrupt Priority

The interrupt of SC95F857X microcontroller has two interrupt priorities, and the request of these interrupt sources can be programmed as high priority interrupt or low priority interrupt, which can realize the nesting of two-level interrupt service program. An ongoing low priority interrupt can be interrupted by a high priority interrupt request, but not by another interrupt request of the same priority, until the execution ends, encounters the return instruction RETI, and returns to the main program to execute another instruction in response to a new interrupt request.

In other words:

- (1) A low priority interrupt can be interrupted by a high priority interrupt request, and vice versa;
- (2) Any kind of interrupt, in the response process, cannot be interrupted by the same priority of the interrupt request.

Interrupt query order: For SC95F857X MCU with the same priority interrupt, if there are several interrupts at the same time, the interrupt response order is the same as the interrupt query number in C51, that is, the small query number will respond faster, and the big query number will respond slower.

### 9.4 Interrupt Processing Flow

When an interrupt is generated and responded by the CPU, the main program execution is interrupted and the following operations will be performed:

- ① The currently executing instruction is finished;
- ② The PC value is pushed into the stack to protect the scene;
- ③ The interrupt vector address is loaded into the program counter PC;
- ④ Execute the corresponding interrupt service program;
- ⑤ The interrupt service routine ends and RETI;
- ⑥ Unstack the PC value and return to the program before the interruption.

In this process, the system will not immediately execute other interrupts of the same priority, but will retain the interrupt request that has occurred, and after the current interrupt processing is completed, go to execute a new interrupt request.

### 9.5 Interrupt-related SFR Registers

**IE (A8H) Interrupt Enable Register (read/write)**

Bit number	7	6	5	4	3	2	1	0
Bit Mnemonic	EA	EADC	ET2	EUART	ET1	EINT1	ET0	EINT0



R/W	R/W	R/W	R/W	R/W	R/W	R/W	R/W	R/W
POR	0	0	0	0	0	0	0	0

Bit number	Bit Mnemonic	Description
7	<b>EA</b>	Interrupt enable total control 0: Close all interrupts 1: Enable all interrupts
6	<b>EADC</b>	ADC interrupt enable control 0: Disable ADC interrupt 1: Allow the ADC to generate an interrupt when the conversion is complete
5	<b>ET2</b>	Timer 2 interrupt enable control 0: Disable TIMER2 interrupt 1: Enable TIMER2 interrupt
4	<b>EUART</b>	UART interrupt enable control 0: Disable UART interrupt 1: Allow UART interrupt
3	<b>ET1</b>	Timer 1 interrupt enable control 0: Disable TIMER1 interrupt 1: Enable TIMER1 interrupt
2	<b>EINT1</b>	External interrupt 1 enable control 0: close INT1 interrupt 1: Enable INT1 interrupt



1	<b>ET0</b>	Timer 0 interrupt enable control 0: Disable TIMER0 interrupt 1: Enable TIMER0 interrupt
0	<b>EINT0</b>	External interrupt 0 enable control 0: close INT0 interrupt 1: Enable INT0 interrupt

**IP (B8H) Interrupt Priority Control Register (Read/Write)**

Bit number	7	6	5	4	3	2	1	0
Bit Mnemonic	-	IPADC	IPT2	IPUART	IPT1	IPINT1	IPT0	IPINT0
R/W	-	R/W	R/W	R/W	R/W	R/W	R/W	R/W
POR	x	0	0	0	0	0	0	0

Bit number	Bit Mnemonic	Description
6	<b>IPADC</b>	ADC interrupt priority selection 0: ADC interrupt priority is low 1: ADC interrupt priority is high
5	<b>IPT2</b>	Timer 2 interrupt priority selection 0: Timer 2 interrupt priority is low 1: Timer 2 interrupt priority is high
4	<b>IPUART</b>	UART interrupt priority selection



		0: UART interrupt priority is low 1: UART interrupt priority is high
3	<b>IPT1</b>	Timer 1 interrupt priority selection 0: Timer 1 interrupt priority is low 1: Timer 1 interrupt priority is high
2	<b>IPINT1</b>	INT1 counter interrupt priority selection 0: INT1 interrupt priority is low 1: INT1 interrupt priority is high
1	<b>IPT0</b>	Timer 0 interrupt priority selection 0: Timer 0 interrupt priority is low 1: Timer 0 interrupt priority is high
0	<b>IPINT0</b>	INT0 counter interrupt priority selection 0: INT0 interrupt priority is low 1: INT0 interrupt priority is high
7	-	Reserved

**IE1 (A9H) Interrupt Control Register 1 (read/write)**

Bit number	7	6	5	4	3	2	1	0
Bit Mnemonic	ET4	ET3	-	ETK	EINT2	EBTM	EPWM	EUSCI
R/W	R/W	R/W	-	R/W	R/W	R/W	R/W	R/W
POR	0	0	x	0	0	0	0	0



Bit number	Bit Mnemonic	Description
7	<b>ET4</b>	Timer 4 interrupt enable control 0: Disable Timer 4 interrupt 1: Enable Timer 4 interrupt
6	<b>ET3</b>	Timer 3 interrupt enable control 0: Disable Timer 3 interrupt 1: Enable Timer 3 interrupt
4	<b>TK</b>	Touch Key interrupts enable control 0: Turn off Touch Key interrupt 1: Open Touch Key interrupt
3	<b>EINT2</b>	External interrupt 2 enable control 0: close INT2 interrupt 1: Open INT2 interrupt
2	<b>EBTM</b>	Base Timer interrupt enable control 0: Disable Base Timer interrupt 1: Enable Base Timer interrupt
1	<b>EPWM</b>	PWM interrupt enable control 0: Disable PWM interrupt 1: Enable interrupt when PWM count overflows(count to PWMPRD)
0	<b>EUSCI</b>	Three-in-one serial port interrupt enable control 0: Disable serial port interrupt 1: Allow serial port interrupt
5	-	Reserved

**IP1 (B9H) Interrupt Priority Control Register 1 (read/write)**

Bit number	7	6	5	4	3	2	1	0
Bit Mnemonic	IPT4	IPT3	-	IPTK	IPINT2	IPBTM	IPPWM	IPUSCIO
R/W	R/W	R/W	-	R/W	R/W	R/W	R/W	R/W
POR	0	0	x	0	0	0	0	0

Bit number	Bit Mnemonic	Description
7	<b>IPT4</b>	Timer 4 interrupt priority selection 0: Timer 4 interrupt priority is low 1: Timer 4 interrupt priority is high
6	<b>IPT3</b>	Timer 3 interrupt priority selection 0: Timer 3 interrupt priority is low 1: Timer 3 interrupt priority is high
4	<b>IPTK</b>	Touch Key interrupts priority selection 0: Touch Key interrupt priority is low 1: Touch Key interrupt priority is high
3	<b>IPINT2</b>	INT2 counter interrupt priority selection 0: INT2 interrupt priority is low 1: INT2 interrupt priority is high
2	<b>IPBTM</b>	Base Timer interrupt priority selection 0: Base Timer interrupt priority is low





		1: Base Timer interrupt priority is high
1	<b>IPPWM</b>	PWM interrupt enable selection 0: PWM interrupt priority is low 1: PWM interrupt priority is high
0	<b>IPUSCIO</b>	Three-in-one serial port USCI interrupt priority selection 0: USCI0 interrupt priority is low 1: USCI0 interrupt priority is high
5	-	Reserved

**IE2 (AAH) Interrupt Control Register 1 (read/write)**

Bit number	7	6	5	4	3	2	1	0
Symbol	-	-	-	-	-	-	EUSCI2	EUSCI1
Read/ Write	-	-	-	-	-	-	Read/ Write	Read/ Write
Initial power-on value	x	x	x	x	x	x	0	0

Bit number	Bit Mnemonic	Description
1	<b>EUSCI2</b>	Three-in-one serial port USCI2 interrupt enable control 0: Disable serial port interrupt 1: Allow serial port interrupt
0	<b>EUSCI1</b>	Three-in-one serial port USCI1 interrupt enable control



		0: Disable serial port interrupt 1: Allow serial port interrupt
7~2	-	Reserved

**IP2 (BAH) Interrupt Priority Control Register 1 (read/write)**

Bit number	7	6	5	4	3	2	1	0
Bit Mnemonic	-	-	-	-	-	-	IPUSCI 2	IPUSCI1
R/W	-	-	-	-	-	-	R/W	R/W
POR	x	x	x	x	x	0	0	0

Bit number	Bit Mnemonic	Description
1	<b>IPUSCI2</b>	Three-in-one serial port USC12 interrupt priority selection 0: USC12 interrupt priority is low 1: USC12 interrupt priority is high
0	<b>IPUSCI1</b>	Three-in-one serial port USC11 interrupt priority selection 0: USC11 interrupt priority is low 1: USC11 interrupt priority is high
7~2	-	Reserved

**TCON (88H) Timer Control Register (read/write)**

Bit number	7	6	5	4	3	2	1	0
------------	---	---	---	---	---	---	---	---



Bit Mnemonic	TF1	TR1	TF0	TR0	IE1	-	IE0	-
R/W	R/W	R/W	R/W	R/W	R/W	-	R/W	-
POR	0	0	0	0	0	x	0	x

Bit number	Bit Mnemonic	Description
3	<b>IE1</b>	INT1 overflow interrupt request flag. INT1 generates an overflow. When an interrupt occurs, the hardware sets IE1 to "1" and applies for an interrupt. When the CPU responds, the hardware clears "0".
1	<b>IE0</b>	INT0 overflow interrupt request flag. INT0 generates an overflow. When an interrupt occurs, the hardware sets IE0 to "1" and applies for an interrupt. When the CPU responds, the hardware clears "0".
2,0	-	Reserved

**INT0F (BAH) INT0 Falling Edge Interrupt Control Register (read/write)**

Bit number	7	6	5	4	3	2	1	0
Bit Mnemonic	-	-	-	-	INT0F3	INT0F2	INT0F1	-
R/W	-	-	-	-	R/W	R/W	R/W	-
POR	x	x	x	x	0	0	0	x

Bit number	Bit Mnemonic	Description
3~1	<b>INT0Fn</b>	INT0 falling edge interrupt control



	(n=3~1)	0: INT0n falling edge interrupt close 1: INT0n falling edge interrupt enable
7~4,0	-	Reserved

**INT0R (BBH) INT0 Rising Edge Interrupt Control Register (read/write)**

Bit number	7	6	5	4	3	2	1	0
Bit Mnemonic	-	-	-	-	INT0R3	INT0R2	INT0R1	-
R/W	-	-	-	-	R/W	R/W	R/W	-
POR	x	x	x	x	0	0	0	x

Bit number	Bit Mnemonic	Description
3~1	<b>INT0Rn</b> <b>(n=3~1)</b>	INT0 rising edge interrupt control 0: INT0n rising edge interrupt close 1: INT0n rising edge interrupt enable
7~4,0	-	Reserved

**INT1F (BCH) INT1 Falling Edge Interrupt Control Register (read/write)**

Bit number	7	6	5	4	3	2	1	0
Bit Mnemonic	-	-	-	-	INT1F3	INT1F2	INT1F1	INT1F0
R/W	-	-	-	-	R/W	R/W	R/W	R/W



POR	x	x	x	x	0	0	0	0
-----	---	---	---	---	---	---	---	---

Bit number	Bit Mnemonic	Description
3~0	<b>INT1Fn</b> <b>(n=3~0)</b>	INT1 falling edge interrupt control 0: INT1n falling edge interrupt close 1: INT1n falling edge interrupt enable
7~4	-	Reserved

**INT1R (BDH) INT1 Rising Edge Interrupt Control Register (read/write)**

Bit number	7	6	5	4	3	2	1	0
Bit Mnemonic	-	-	-	-	INT1R3	INT1R2	INT1R1	INT1R0
R/W	-	-	-	-	R/W	R/W	R/W	R/W
POR	x	x	x	x	0	0	0	0

Bit number	Bit Mnemonic	Description
3~0	<b>INT1Rn</b> <b>(n=3~0)</b>	INT1 rising edge interrupt control 0: INT1n rising edge interrupt off 1: INT1n rising edge interrupt enable
7~4	-	Reserved

**INT2F (C6H) INT2 Falling Edge Interrupt Control Register (read/write)**

Bit number	7	6	5	4	3	2	1	0
Bit Mnemonic	-	-	INT2F5	INT2F4-	INT2F3	INT2F2	INT2F1	INT2F0
R/W	-	-	R/W	R/W	R/W	R/W	R/W	R/W
POR	x	x	0	0	0	0	0	0

Bit number	Bit Mnemonic	Description
5~0	<b>INT2Fn</b> <b>(n=5~0)</b>	INT2 falling edge interrupt control 0: INT2n falling edge interrupt close 1: INT2n falling edge interrupt enable
7~6	-	Reserved

**INT2R (C7H) INT2 Rising Edge Interrupt Control Register (read/write)**

Bit number	7	6	5	4	3	2	1	0
Bit Mnemonic	-	-	INT2R5	INT2R4	INT2R3	INT2R2	INT2R1	INT2R0
R/W	-	-	R/W	R/W	R/W	R/W	R/W	R/W
POR	x	x	0	0	0	0	0	0



Bit number	Bit Mnemonic	Description
5~0	<b>INT2Rn</b> <b>(n=5~0)</b>	INT2 rising edge interrupt control 0: INT2n rising edge interrupt close 1: INT2n rising edge interrupt enable
7~6	-	Reserved

## 10 Timer/Counter T0 and T1

There are five 16-bit timer/counter in SC95F857X microcontroller, Timer0/1 has a separate register group, while Timer2~4 shared the same register group. This chapter mainly introduces the functions of Timer0~1, and Timer2~4 is detailed in the next chapter. They have two operating modes: counting mode and timing mode. There is a control bit C/Tx in the special function register TMOD to select whether T0 and T1 are timers or counters. They are essentially an addition counter, but the source of the count is different. The source of the timer is the system clock or its divided clock, but the source of the counter is the input pulse of the external pin. Only when TRx=1, T0 and T1 will be opened to count.

In counter mode, for each pulse on the P1.2/T0 and P1.3/T1 pins, the count value of T0 and T1 increases by 1, respectively.

In the timer mode, the count source of T0 and T1 can be selected as fsys/12 or fsys through the special function register TMCON (fsys is the divided system clock).

There are 4 operating modes for timer/counter T0, and 3 operating modes for timer/counter T1 (mode 3 does not exist):

- ① Mode 0: 13-bit timer/counter mode
- ② Mode 1: 16-bit timer/counter mode
- ③ Mode 2: 8-bit auto-reload mode
- ④ Mode 3: Two 8-bit timer/counter modes

In the above modes, modes 0, 1, and 2 of T0 and T1 are the same, and mode 3 is different.

### 10.1 T0 and T1-related Registers

Symbol	Address	Description	7	6	5	4	3	2	1	0	POR
TCON	88H	Timer control register	TF1	TR1	TF0	TR0	IE1	-	IE0	-	00000x0xb



TMOD	89H	Timer operating mode register	-	C/T1	M11	M01	-	C/T0	M10	M00	x000x000b
TL0	8AH	Low 8 bits of timer 0	TL0[7: 0]								00000000b
TL1	8BH	Low 8 bits of timer 1	TL1[7: 0]								00000000b
TH0	8CH	Timer 0 high 8 bits	TH0[7: 0]								00000000b
TH1	8DH	Timer 1 high 8 bits	TH1[7: 0]								00000000b
TMCON	8EH	Timer frequency control register	USMD2[1: 0]	-	-	-	-	T1FD	T0FD	xxxxxx00b	

The explanation of each register is as follows:

**TCON (88H) Timer Control Register (read/write)**

Bit number	7	6	5	4	3	2	1	0
Bit Mnemonic	TF1	TR1	TF0	TR0	IE1	-	IE0	-
R/W	R/W	R/W	R/W	R/W	R/W	-	R/W	-
POR	0	0	0	0	0	x	0	x

Bit number	Bit Mnemonic	Description
7	<b>TF1</b>	T1 overflow interrupt request flag. T1 generates an overflow. When an interrupt occurs, the hardware sets TF1 to "1" and applies for an interrupt. When the CPU responds, the hardware clears "0".
6	<b>TR1</b>	Operation control bit of timer T1. This bit is set and cleared by software. When TR1=1, T1 is allowed to start counting. When TR1=0, T1 counting is prohibited.





5	<b>TF0</b>	T0 overflow interrupt request flag. T0 generates an overflows. When an interrupt occurs, the hardware sets TF0 to "1" and applies for an interrupt. When the CPU responds, the hardware clears "0".
4	<b>TR0</b>	Operation control bit of timer T0. This bit is set and cleared by software. When TR0=1, T0 is allowed to start counting. When TR0=0, T0 counting is prohibited.
2,0	-	Reserved

**TMOD (89H) Timer Operating Mode Register (read/write)**

Bit number	7	6	5	4	3	2	1	0
Bit Mnemonic	-	C/T1	M11	M01	-	C/T0	M10	M00
R/W	-	R/W	R/W	R/W	-	R/W	R/W	R/W
POR	x	0	0	0	x	0	0	0
	T1				T0			

Bit number	Bit Mnemonic	Description
6	<b>C/T1</b>	TMOD[6] control timer 1 0: Timer, T1 count comes from fsys frequency division 1: Counter, T1 count comes from external pin T1/P1.3
5~4	<b>M11,M01</b>	Timer/Counter 1 mode selection 00: 13-bit timer/counter, the upper 3 bits of TL1 are invalid 01: 16-bit timer/counter, TL1 and TH1 all are valid



		10: 8-bit auto-reload timer, automatically reload the value stored in TH1 into TL1 when overflow  11: Timer/Counter 1 is invalid (stop counting)
2	<b>C/T0</b>	TMOD[2] control timer 0  0: Timer, T0 count comes from fsys frequency division  1: Counter, T0 count comes from external pin T0/P1.2
1~0	<b>M10,M00</b>	Timer/Counter 0 mode selection  00: 13-bit timer/counter, the upper 3 bits of TL0 are invalid  01: 16-bit timer/counter, TL0 and TH0 all are valid  10: 8-bit auto-reload timer, automatically reload the value stored in TH0 into TL0 when overflow  11: Timer 0 is now a dual 8-bit timer/counter. TL0 is an 8-bit timer/counter controlled by the control bits of standard timer 0; TH0 is only an 8-bit timer controlled by the control bits of timer 1.
7,3	-	Reserved

TMOD[0]~TMOD[2] in TMOD register is to set the operating mode of T0; TMOD[4]~TMOD[6] is to set the operating mode of T1.

The timer and counter Tx functions are selected by the control bits C/Tx of the special function register TMOD. M0x and M1x are used to select the Tx operating mode. TRx acts as the switch control of T0 and T1. Only when TRx=1, T0 and T1 are turned on.

#### TMCON (8EH) Timer Frequency Control Register (read/write)

Bit number	7	6	5	4	3	2	1	0
Bit Mnemonic	USMD2[1: 0]		-	-	-	-	T1FD	T0FD
R/W	R/W	R/W	-	-	-	-	R/W	R/W
POR	0	0	x	x	x	x	0	0



Bit number	Bit Mnemonic	Description
1	<b>T1FD</b>	T1 input frequency selection control 0: T1 frequency is derived from fsys/12 1: T1 frequency is derived from fsys
0	<b>T0FD</b>	T0 input frequency selection control 0: T0 frequency is derived from fsys/12 1: T0 frequency is derived from fsys

**IE (A8H) Interrupt Enable Register (read/write)**

Bit number	7	6	5	4	3	2	1	0
Bit Mnemonic	EA	EADC	ET2	-	ET1	EINT1	ET0	EINT0
R/W	R/W	R/W	R/W	-	R/W	R/W	R/W	R/W
POR	0	0	0	x	0	0	0	0

Bit number	Bit Mnemonic	Description
3	<b>ET1</b>	Timer 1 interrupt enable control 0: Disable Timer 1 interrupt 1: Enable Timer 1 interrupt
1	<b>ET0</b>	Timer 0 interrupt enable control 0: Disable Timer 0 interrupt 1: Enable Timer 0 interrupt

**IP (B8H) Interrupt Priority Control Register (Read/Write)**

Bit number	7	6	5	4	3	2	1	0
Bit Mnemonic	-	IPADC	IPT2	-	IPT1	IPINT1	IPT0	IPINT0
R/W	-	R/W	R/W	-	R/W	R/W	R/W	R/W
POR	x	0	0	x	0	0	0	0

Bit number	Bit Mnemonic	Description
3	<b>IPT1</b>	Timer 1 interrupt priority 0: Set the interrupt priority of Timer 1 to "Low" 1: Set the interrupt priority of Timer 1 to "High"
1	<b>IPT0</b>	Timer 0 interrupt priority 0: Set the interrupt priority of Timer 0 to "Low" 1: Set the interrupt priority of Timer 0 to "High"

**10.2 T0 Operating Modes**

By setting M10 and M00 (TMOD[1], TMOD[0]) in the register TMOD, timer/counter 0 can realize 4 different operating modes.

**Operating Mode 0: 13-bit Counter/Timer**

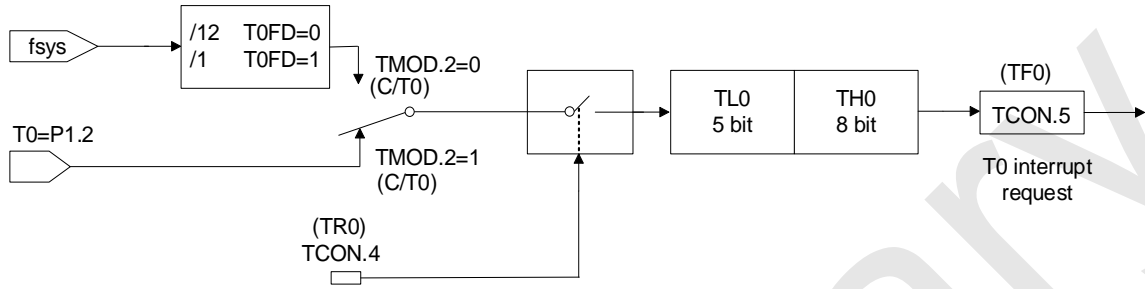
TH0 register stores the upper 8 bits (TH0.7~TH0.0) of the 13-bit counter/timer, and the TL0 stores the low 5 bits (TL0.4~TL0.0). The upper three bits of TL0 (TL0.7~TL0.5) are uncertain values and should be ignored when reading. When the 13-bit timer/counter overflows, the system will set the timer overflow flag TF0 to 1. If the timer 0 interrupt is enabled, an interrupt will be generated.

C/T0 bit selects the clock input source of the counter/timer. If C/T0=1, the level change of the timer 0 input pin T0 (P1.2) from high to low will increase the timer 0 data register by 1. If C/T0=0, select the frequency division of the system clock as the clock source of timer 0.



When TR0 is set to 1, the timer T0 is started. Setting TR0 does not forcibly reset the timer, meaning that if TR0 is set, the timer register will start counting from the value when TR0 was cleared last time. Therefore, before enabling the timer, the initial value of the timer register should be set.

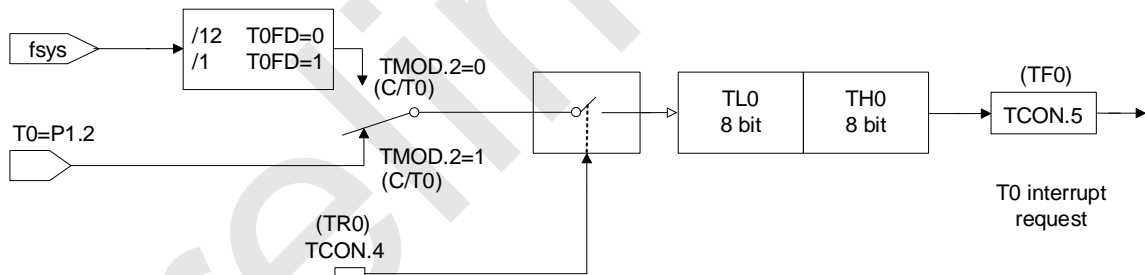
When applied as a timer, TOFD can be configured to select the frequency division ratio of the clock source.



Timer/counter operating mode 0: 13-bit timer/counter

**Operating Mode 1: 16-bit Counter/Timer**

Except for using a 16-bit (all 8-bit data of TL0 is valid) counters/timers, Mode 1 and Mode 0 operate in the same way. The way to open and configure the counter/timer is the same.



Timer/Counter Operating Mode 1: 16-bit Timer/Counter

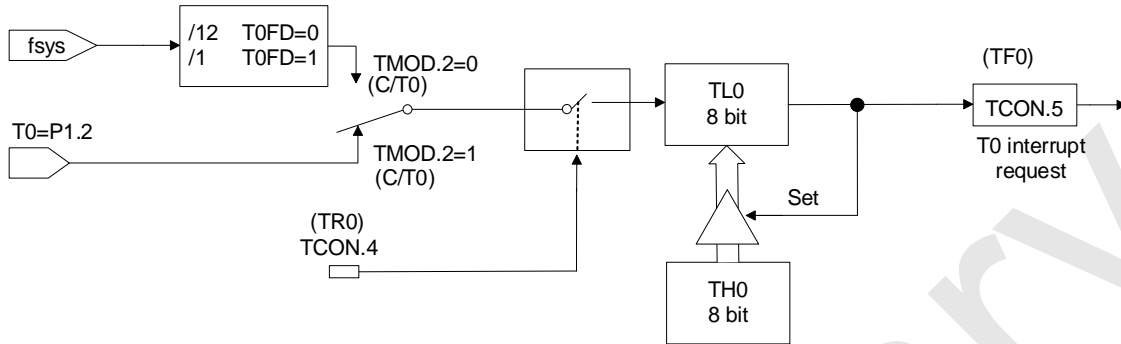
**Operating Mode 2: 8-bit Automatic Reload Counter/Timer**

In operating mode 2, Timer 0 is an 8-bit auto-reload counter/timer. TL0 stores the count value, and TH0 stores the reload value. When the counter in TL0 overflows to 0x00, the timer overflow flag TF0 is set to 1, and the value of register TH0 is reloaded into register TL0. If the timer interrupt is enabled, an interrupt will be generated when TF0 is set to 1, but the reload value in TH0 will not change. Before allowing the timer to count correctly, TL0 must be initialized to the required value.

Except for the auto-reload function, the counter/timer in operating mode 2 is enabled and configured in the same way as in modes 0 and 1.



When used as a timer, the register TMCON.0 (T0FD) can be configured to select the ratio of the timer clock source divided by the system clock fsys.



Timer/counter operating mode 2: 8-bit timer/counter with automatic reload

### Operating Mode 3: Two 8-bit Counters/Timers (Timer 0 Only)

In operating mode 3, Timer 0 is used as two independent 8-bit counters/timers, which are controlled by TL0 and TH0, respectively. TL0 is controlled by timer 0 control bits (in TCON) and status bits (in TMOD): TR0, C/T0, TF0. Timer 0 can select the timer mode or counter mode through T0 TMOD.2 (C/T0).

TH0 sets related control by timer 1 control TCON, but TH0 is only limited to timer mode and cannot be set to counter mode by TMOD.2 (C/T0). TH0 is enabled by the control of the timer control bit TR1, and TR1=1 needs to be set. When an overflow occurs and an interrupt is generated, TF1 will be set to 1, and the interrupt will be processed according to T1.

When T0 is set to operating mode 3, the TH0 timer occupies the interrupt resources of T1 and the registers in TCON, and the 16-bit counter of T1 will stop counting, which is equivalent to "TR1=0". When using the TH0 timer to work, set TR1=1.

## 10.3 T1 Operating Mode

By setting M11 and M01 (TMOD[5], TMOD[4]) in the register TMOD, timer/counter 1 can realize three different operating modes.

### Operating mode 0: 13-bit Timer/Counter

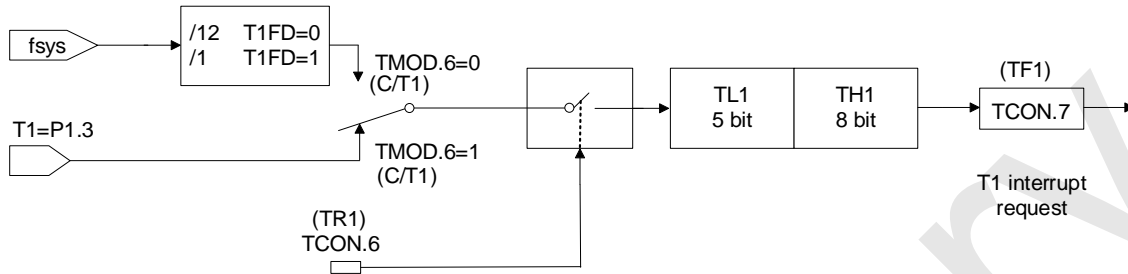
The TH1 register stores the upper 8 bits (TH1.7~TH1.0) of the 13-bit counter/timer; the TL1 stores the low 5 bits (TL1.4~TL1.0). The upper three bits of TL1 (TL1.7~TL1.5) are uncertain values and should be ignored when reading. When the 13-bit timer counter increments and overflows, the system sets the timer overflow flag TF1 to 1. If Timer 1 interrupt is enabled, an interrupt will be generated. The C/T1 bit selects the clock source of the counter/timer.

If C/T1=1, the level of timer 1 input pin T1 (P1.3) changes from high to low, which will increase the timer 1 data register by 1. If C/T1=0, select the frequency division of the system clock as the clock source of timer 1.



Set TR1 to enable the timer. Setting TR1 does not forcibly reset the timer, meaning that if TR1 is set to 1, the timer register will start counting from the value when TR1 was cleared to 0 last time. Therefore, before enabling the timer, the initial value of the timer register should be set.

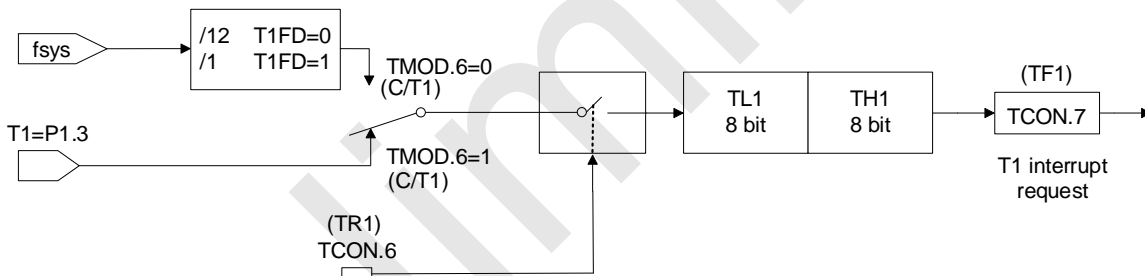
When applied as a timer, T1FD can be configured to select the frequency division ratio of the clock source.



Timer/counter operating mode 0: 13-bit timer/counter

**Operating mode 1: 16-bit Counter/Timer**

Except for using a 16-bit (all 8-bit data of TL1 is valid) counter/timer, Mode 1 and Mode 0 operate in the same way. The way to open and configure the counter/timer is the same.



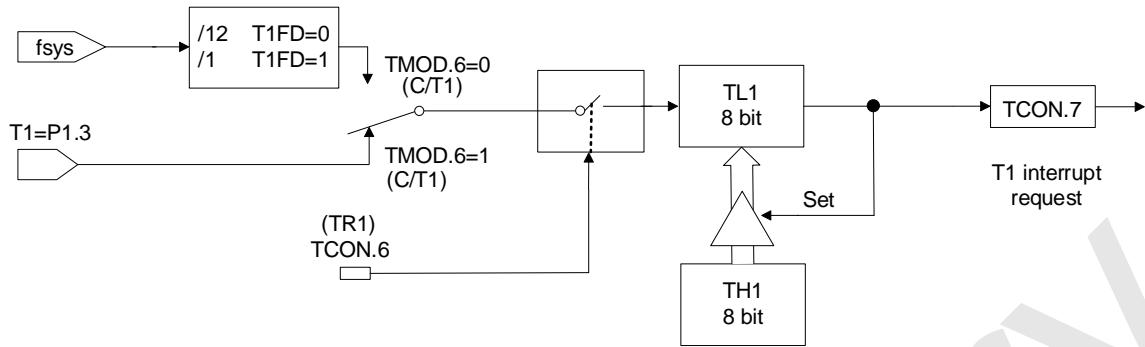
Timer/counter operating mode 1: 16-bit timer/counter

**Operating mode 2: 8-bit Automatic Reload Counter/Timer**

In operating mode 2, Timer 1 is an 8-bit auto-reload counter/timer. TL1 stores the count value, and TH1 stores the reload value. When the counter in TL1 overflows to 0x00, the timer overflow flag TF1 is set to 1, and the value of register TH1 is reloaded into register TL1. If the timer interrupt is enabled, an interrupt will be generated when TF1 is set to 1, but the reload value in TH1 will not change. Before allowing the timer to count correctly, TL1 must be initialized to the required value.

Except for the auto-reload function, the counter/timer in operating mode 2 is enabled and configured in the same way as modes 0 and 1.

When used as a timer, the register TMCON.4 (T1FD) can be configured to select the ratio of the timer clock source divided by the system clock fsys.



Timer/counter operating mode 2: 8-bit timer/counter with automatic reload





## 11 Timer/Counter T2/T3/T4

Timer 2/3/4 inside The SC95F857X MCU are three independent Timers, among which Timer 2 has 4 operating modes, Timer 3 and Timer 4 have 1 operating mode.

The control registers of Timer 2/3/4 share the same set of addresses (C8H-CDH), users can point the Timer X register set (TXCON / TXMOD / RCAPXL / RCAPXH / TLX / THX) to Timer 2/3/4 through TXINX[2: 0] In order to realize the function of three independent Timers configured by a group of registers.

**Note: Only after the TXINX[2: 0] configuration is successful, the Timer X register group will point to the Timer 2/3/4 specified by the user. At this time, operating the TimeX register group is an effective operation for the corresponding Timer.**

### 11.1 T2/3/4-related Registers

Symbol	Address	Description	7	6	5	4	3	2	1	0	POR
TXINX	CEH	Timer 2/3/4 control register pointer	-	-	-	-	-	TXINX[2: 0]			xxxxx010b
TXCON	C8H	Timer 2/3/4 control register	TFX	EXFX	RCLK X	TCL KX	EXEN X	TRX	C/TX	CP/RL X	00000000b
TXMOD	C9H	Timer 2/3/4 operating mode register	TXF D	-	EPW MN1	EPW MN0	INVN1	INVN 0	TXO E	DCXE N	0xxxxx00b
RCAPXL	CAH	Timer 2/3/4 reload low 8 bits	RCAPXL[7: 0]								00000000b
RCAPXH	CBH	Timer 2/3/4 reload high 8 bits	RCAPXH[7: 0]								00000000b
TLX	CCH	Timer 2/3/4 low 8 bits	TLX[7: 0]								00000000b
THX	CDH	Timer 2/3/4 high 8 bits	THX[7: 0]								00000000b

#### TXINX (CEH) Timer 2/3/4 Control Register Pointer (read/write)

Bit number	7	6	5	4	3	2	1	0



Bit Mnemonic	-	-	-	-	-	TXINX[2: 0]		
R/W	-	-	-	-	-	R/W	R/W	R/W
POR	x	x	x	x	x	0	1	0

Bit number	Bit Mnemonic	Description
2~0	<b>TXINX[2: 0]</b>	Timer 2/3/4 control register pointer  010: Timer X register set: TXCON / TXMOD / RCAPXL / RCAPXH / TLX / THX points to T2  011: Timer X register set points to T3  100: Timer X register set points to T4  Other: reserved
7~3	-	Reserved

## 11.2 Timer 2

Timer 2 inside the SC95F857X MCU has two operating modes: counting mode and timing mode. There is a control bit C/TX in the special function register TXCON to select whether T2 is a timer or a counter. They are essentially an addition counter, but the source of the count is different. The source of the timer is the system clock or its divided clock, but the source of the counter is the input pulse of the external pin. TRX is the switch control of T2/T3/T4 counting in the timer/counter mode. Only when TRX=1, T2 will be opened for counting.

In counter mode, for every pulse on the T2 pin, the count value of T2 increases by 1 respectively.

In timer mode, the count source of T2 can be selected as fsys/12 or fsys through the special function register TXMOD.7 (TXFD).

Timer/counter T2 has 4 operating modes:

- ① Mode 0: 16-bit capture mode
- ② Mode 1: 16-bit auto-reload timer mode
- ③ Mode 2: Baud rate generator mode



## ④ Mode 3: Programmable clock output mod

TXINX[2: 0] = 010, the Timer X register group points to Timer 2, the explanation of each register is as follows:

**TXCON (C8H) Timer 2 Control Register (read/write) ( TXINX[2: 0] = 010)**

Bit number	7	6	5	4	3	2	1	0
Bit Mnemonic	TFX	EXFX	RCLKX	TCLKX	EXENX	TRX	C/TX	CP/RLX
R/W	R/W	R/W	R/W	R/W	R/W	R/W	R/W	R/W
POR	0	0	0	0	0	0	0	0

Bit number	Bit Mnemonic	Description
7	<b>TFX</b>	Timer 2 overflow flag 0: No overflow (must be cleared by software) 1: Overflow (if RCLKX = 0 and TCLKX = 0, set by hardware 1)
6	<b>EXFX</b>	Flag bit detected by external event input (falling edge) of T2EX pin 0: No external event input (must be cleared by software) 1: External input detected (if EXENX = 1, set by hardware)
5	<b>RCLKX</b>	UART0 receive clock control bit 0: Timer 1 generates the receive baud rate 1: Timer 2 generates the receive baud rate
4	<b>TCLKX</b>	UART0 transmit clock control bit 0: Timer 1 generates transmission baud rate 1: Timer 2 generates transmission baud rate



3	<b>EXENX</b>	T2EX pin is used as a reload/capture trigger enable/disable control:  0: Ignore events on T2EX pin  1: When Timer 2 is not used as the UART0 clock, a falling edge on the T2EX pin is detected, and a capture or reload is generated
2	<b>TRX</b>	Timer 2 start/stop control bit  0: stop timer 2/stop PWM2 counter  1: Start timer 2/start PWM2 counter
1	<b>C/TX</b>	Timer 2 Timer/counter mode selection positioning 2  0: Timer mode, T2 pin is used as I/O port  1: Counter mode
0	<b>CP/RLX</b>	Capture/reload mode selection positioning  0: 16-bit timer/counter with reload function  1: 16-bit timer/counter with capture function, TXEX is timer 2 external capture signal input port

**TXMOD (C9H) Timer 2 Operating Mode Register (read/write) ( TXINX[2: 0] = 010)**

Bit number	7	6	5	4	3	2	1	0
Bit Mnemonic	TXFD	-	EPWM21	EPWM20	INV21	INV20	TXOE	DCXEN
R/W	R/W	-	R/W	R/W	R/W	R/W	R/W	R/W
POR	0	x	0	0	0	0	0	0

Bit number	Bit Mnemonic	Description
------------	--------------	-------------



7	<b>TXFD</b>	T2 input frequency selection control 0: T2 frequency is derived from fsys/12 1: T2 frequency is derived from fsys
1	<b>TXOE</b>	Timer 2 output enable bit 0: Set T2 as clock input or I/O port 1: Set T2 as the clock output
0	<b>DCXEN</b>	Count down enable bit 0: Timer 2 is prohibited as an up/down counter, Timer 2 is only used as an up counter 1: Allow Timer 2 as an up/down counter
6	-	Reserved

**IE (A8H) Interrupt Enable Register (read/write)**

Bit number	7	6	5	4	3	2	1	0
Bit Mnemonic	EA	EADC	ET2	EUART	ET1	EINT1	ET0	EINT0
R/W	R/W	R/W	R/W	R/W	R/W	R/W	R/W	R/W
POR	0	0	0	0	0	0	0	0

Bit number	Bit Mnemonic	Description
5	<b>ET2</b>	Timer 2 interrupt enable control 0: Disable Timer 2 interrupt 1: Enable Timer 2 interrupt

**IP (B8H) Interrupt Priority Control Register (read/write)**

Bit number	7	6	5	4	3	2	1	0
Bit Mnemonic	-	IPADC	IPT2	IPUART	IPT1	IPINT1	IPT0	IPINT0
R/W	-	R/W	R/W	R/W	R/W	R/W	R/W	R/W
POR	x	0	0	0	0	0	0	0

Bit number	Bit Mnemonic	Description
5	<b>IPT2</b>	Timer 2 interrupt priority 0: Set the interrupt priority of Timer 2 to "Low" 1: Set the interrupt priority of Timer 2 to "High"

**11.3 Timer 3**

Timer 3 inside the SC95F857X MCU as a timer is essentially an addition counter. The clock source of the timer is the system clock or its divided clock. TRX is the switch control of T3 counting. Only when TRX=1, T3 will be opened to count.

In timer mode, the count source of T3 can be selected as fsys/12 or fsys through the special function register TXMOD.7 (TXFD).

TXINX[2: 0] = 011, the Timer X register group points to Timer 3, the explanation of each register is as follows:

**TXCON (C8H) Timer 3 Control Register (read/write) ( TXINX[2: 0] = 011)**

Bit number	7	6	5	4	3	2	1	0
Bit Mnemonic	TFX	EXFX	-	-	EXENX	TRX	C/TX	CP/RLX
R/W	R/W	R/W	-	-	R/W	R/W	R/W	R/W



POR	0	0	x	x	0	0	0	0
-----	---	---	---	---	---	---	---	---

Bit number	Bit Mnemonic	Description
7	<b>TFX</b>	Timer 3 control register (read/write) Timer 3 overflow flag 0: No overflow (must be cleared by software) 1: Overflow (set by hardware 1)
6	<b>EXFX</b>	Flag bit detected by external event input (falling edge) of T3EX pin 0: No external event input (must be cleared by software) 1: External input detected (if EXENX = 1, set by hardware)
3	<b>EXENX</b>	T3EX pin is used as a reload/capture trigger enable/disable control: 0: Ignore events on T3EX pin 1: A falling edge on the T3EX pin is detected, and a capture or reload is generated
2	<b>TRX</b>	Timer 3 start/stop control bit 0: stop timer 3/stop PWM3 counter 1: Start timer 3/start PWM3 counter
1	<b>C/TX</b>	Timer 3 Timer/counter mode selection positioning 0: Timer mode, T3 pin is used as I/O port 1: Counter mode
0	<b>CP/RLX</b>	Capture/reload mode selection positioning 0: 16-bit timer/counter with reload function 1: 16-bit timer/counter with capture function, TXEX is timer 3 external capture signal input port
5~4	-	Reserved

**TXMOD (C9H) Timer 3 Operating Mode Register (read/write) ( TXINX[2: 0] = 011)**

Bit number	7	6	5	4	3	2	1	0
Bit Mnemonic	TXFD	-	EPWM31	EPWM30	INV31	INV30	TXOE	DCXEN
R/W	R/W	-	R/W	R/W	R/W	R/W	R/W	R/W
POR	0	x	0	0	0	0	0	0

Bit number	Bit Mnemonic	Description
7	<b>TXFD</b>	T3 input frequency selection control 0: T3 frequency is derived from fsys/12 1: T3 frequency is derived from fsys
1	<b>TXOE</b>	Timer 3 output enable bit 0: Set T3 as clock input or I/O port 1: Set T3 as the clock output
0	<b>DCXEN</b>	Count down enable bit 0: Timer 3 is prohibited as an up/down counter, Timer 3 is only used as an up counter 1: Allow Timer 3 as an up/down counter, T3EX is used to select the counting direction
6	-	Reserved

**IE1 (A9H) Interrupt Enable Register 1 (read/write)**

Bit number	7	6	5	4	3	2	1	0





Bit Mnemonic	ET4	ET3	-	ETK	EINT2	EBTM	EPWM	EUSCIO
R/W	R/W	R/W	-	R/W	R/W	R/W	R/W	R/W
POR	0	0	x	0	0	0	0	0

Bit number	Bit Mnemonic	Description
6	<b>ET3</b>	Timer 3 interrupt enable control 0: Disable Timer 3 interrupt 1: Enable Timer 3 interrupt

**IP1 (B9H) Interrupt Priority Control Register 1 (read/write)**

Bit number	7	6	5	4	3	2	1	0
Bit Mnemonic	IPT4	IPT3	-	IPTK	IPINT2	IPBTM	IPPWM	IPUSCIO
R/W	R/W	R/W	-	R/W	R/W	R/W	R/W	R/W
POR	0	0	x	0	0	0	0	0

Bit number	Bit Mnemonic	Description
6	<b>IPT3</b>	Timer 3 interrupt priority selection 0: Timer 3 interrupt priority is low 1: Timer 3 interrupt priority is high



## 11.4 Timer 4

Timer 4 inside the SC95F857X MCU as a timer is essentially an addition counter. The clock source of the timer is the system clock or its divided clock. TRX is the switch control of T4 count. Only when TRX=1, T4 will be turned on and counted.

In timer mode, the count source of T4 can be selected as fsys/12 or fsys through the special function register TXMOD.7 (TXFD).

TXINX[2: 0] = 100, Timer X register group points to Timer 4, the explanation of each register is as follows:

### TXCON (C8H) Timer 4 Control Register (read/write) ( TXINX[2: 0] = 100)

Bit number	7	6	5	4	3	2	1	0
Bit Mnemonic	TFX	EXFX	-	-	EXENX	TRX	C/TX	CP/RLX
R/W	R/W	R/W	-	-	R/W	R/W	R/W	R/W
POR	0	0	x	x	0	0	0	0

Bit number	Bit Mnemonic	Description
7	<b>TFX</b>	Timer 4 overflow flag 0: No overflow (must be cleared by software) 1: Overflow (set by hardware 1)
6	<b>EXFX</b>	Flag bit detected by external event input (falling edge) of T4EX pin 0: No external event input (must be cleared by software) 1: External input detected (if EXENX = 1, set by hardware)
3	<b>EXENX</b>	T4EX pin is used as a reload/capture trigger enable/disable control: 0: Ignore events on T4EX pin 1: A falling edge on the T4EX pin is detected, and a capture or reload is generated



2	<b>TRX</b>	Timer 4 start/stop control bit  0: stop timer 4/stop PWM4 counter  1: Start timer 4/start PWM4 counter
1	<b>C/TX</b>	Timer 4 Timer/counter mode selection positioning 2  0: Timer mode, T4 pin is used as I/O port  1: Counter mode
0	<b>CP/RLX</b>	Capture/reload mode selection positioning  0: 16-bit timer/counter with reload function  1: 16-bit timer/counter with capture function, TXEX is timer 4 external capture signal input port
5~4	-	Reserved

**TXMOD (C9H) Timer 4 Operating Mode Register (read/write) ( TXINX[2: 0] = 100)**

Bit number	7	6	5	4	3	2	1	0
Bit Mnemonic	TXFD	-	EPWM41	EPWM40	INV41	INV40	TXOE	DCXEN
R/W	R/W	-	R/W	R/W	R/W	R/W	R/W	R/W
POR	0	x	0	0	0	0	0	0

Bit number	Bit Mnemonic	Description
7	<b>TXFD</b>	T4 input frequency selection control  0: T4 frequency is derived from fsys/12  1: T4 frequency is derived from fsys



1	<b>TXOE</b>	Timer 4 output enable bit  0: Set T4 as clock input or I/O port  1: Set T4 as the clock output
0	<b>DCXEN</b>	Count down enable bit  0: Timer 4 is prohibited as an up/down counter, Timer 4 is only used as an up counter  1: Allow Timer 4 as an up/down counter, T4EX is used to select the counting direction
6	-	Reserved

**IE1 (A9H) Interrupt Enable Register 1 (read/write)**

Bit number	7	6	5	4	3	2	1	0
Bit Mnemonic	ET4	ET3	-	ETK	EINT2	EBTM	EPWM	EUSCIO
R/W	R/W	R/W	-	R/W	R/W	R/W	R/W	R/W
POR	0	0	x	0	0	0	0	0

Bit number	Bit Mnemonic	Description
7	<b>ET4</b>	Timer 4 interrupt enable control  0: Disable Timer 4 interrupt  1: Enable Timer 4 interrupt

**IP1 (B9H) Interrupt Priority Control Register 1 (read/write)**



Bit number	7	6	5	4	3	2	1	0
Bit Mnemonic	IPT4	IPT3	-	IPTK	IPINT2	IPBTM	IPPWM	IPUSCIO
R/W	R/W	R/W	-	R/W	R/W	R/W	R/W	R/W
POR	0	0	x	0	0	0	0	0

Bit number	Bit Mnemonic	Description
6	<b>IPT4</b>	Timer 4 interrupt priority selection 0: Timer 4 interrupt priority is low 1: Timer 4 interrupt priority is high

## 11.5 Timer 2/3/4 Operating Modes

Timer 2/3/4's operating modes as follows:

- ① Mode 0: 16-bit capture
- ② Mode 1: 16-bit auto-reload timer
- ③ Mode 2: Baud rate generator, only Timer 2 support this mode
- ④ Mode 3: Programmable clock output
- ⑤ Mode 4: PWM output mode

The preceding working modes and configuration modes are listed as follows:

C/TX	TXOE	DCXEN	TRX	CP/RLX	EXENX	Mode	
X	0	X	1	1	1	Mode 0	16-bit capture



X	0	0	1	0	0	Mode 1	16-bit auto-reload timer/counter, normally auto-reload
X	0	0	1	0	1		16-bit auto-reload timer/counter, with TnEX trigger reload
X	0	1	1	0	X		16-bit auto-reload timer/counter, increase or decrease reload
X	0	X	1	X	X	Mode 2	UART0 Baud rate generator, only for Timer 2
0	1	X	1	X	X	Mode 3	Programmable clock output
X	X	X	0	X	1	X	Timer stops, TnEX(n=2~4) channel is still allowed

**11.5.1 Timer 2/3/4 Operating Modes**

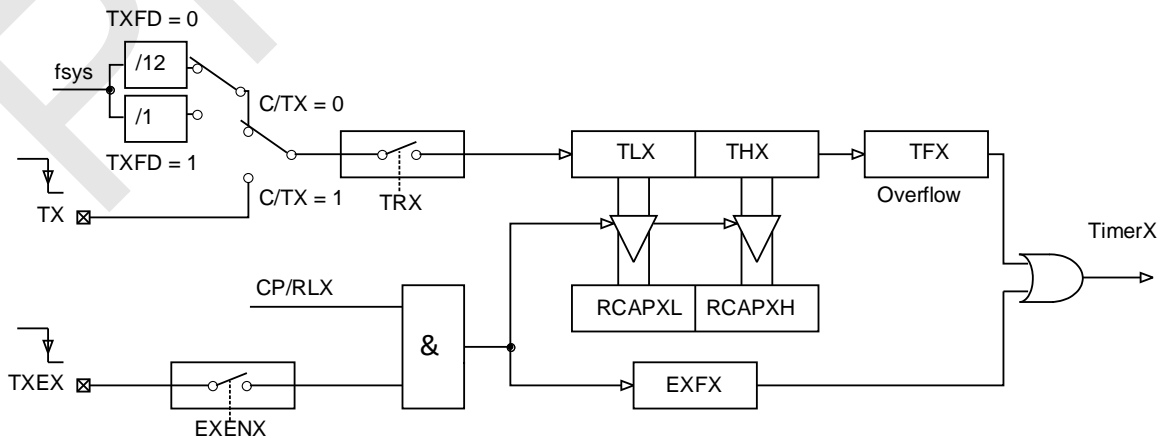
**Operating Mode 0: 16-bit Capture**

CP/RLX = 1, set Timer n(n=2~4) to 16-bit capture

In the capture mode, the EXENX bit of TXCON has two options:

If EXENX = 0, Timer n acts as a 16-bit timer or counter. If ETn is enabled, Timer n can set TFX overflow to generate an interrupt.

If EXENX = 1, Timer n performs the same operation, but the falling edge on external input TnEX can also cause the current values in THX and TLX to be captured in RCAPXH and RCAPXL, respectively. In addition, the falling edge on TnEX also can cause EXFX in TXCON to be set. If ETn is enabled, the EXFX bit also generates an interrupt like TFX.





Mode 0: 16-bit capture

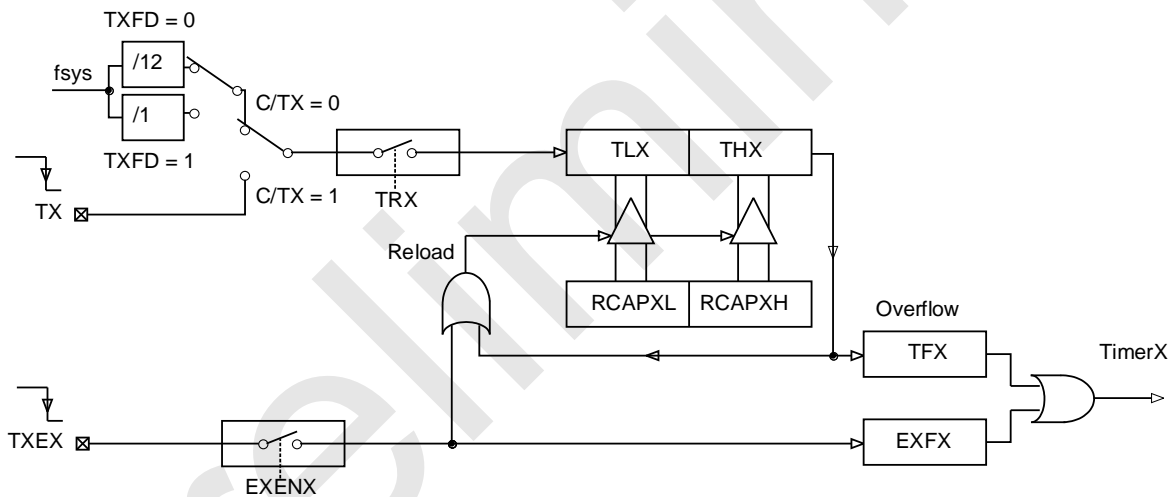
Operating Mode 1: 16-bit Auto-Reload Timer

In 16-bit auto-reload mode, Timer n(n=2~4) can be selected to count up or count down. This function is selected by the DCEN bit (down counting allowed) in TnMOD. After the system is reset, the reset value of the DCEN bit is 0, and the timer n counts up by default. When DCEN is set to 1, Timer n counts up or down depending on the level on the TnEX pin.

When DCEN = 0, two options are selected through the EXENX bit in TXCON.

If EXENX = 0, Timer n increments to 0xFFFFH, sets the TFX bit after overflow, and the timer automatically loads the 16-bit values of registers RCAPXH and RCAPXL written in user software into the THX and TLX registers.

If EXENX = 1, an overflow or a falling edge on TnEX can trigger a 16-bit reload and set the EXFX bit. If ETn is enabled, both TFX and EXFX bits can generate an interrupt.



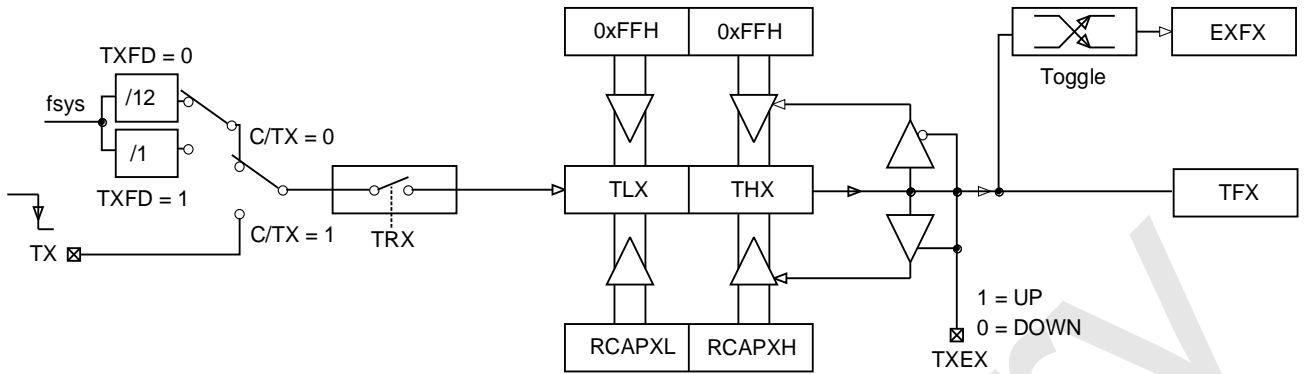
Mode 1: 16-bit auto-reload DCEN = 0

Setting the DCEN bit allows Timer n to count up or down. When DCEN = 1, the TnEX pin controls the direction of the count, and EXENX control is invalid.

Setting TnEX causes Timer n to count up. The timer overflows to 0xFFFFH, and then sets the TFX bit. Overflow can also cause the 16-bit values on RCAPXH and RCAPXL to be reloaded into the timer register, respectively.

Setting TnEX to 0 causes Timer n to count down. When the values of THX and TLX are equal to the values of RCAPXH and RCAPXL, the timer overflows. The TFX bit is set and 0xFFFFH is reloaded into the timer register.

Regardless of whether Timer n overflows or not, the EXFX bit is used as the 17th bit of the result. In this operating mode, EXFX is not used as an interrupt flag.



Mode 1: 16-bit auto-reload DCEN = 1

**Operating Mode 2: Baud Rate Generator, only for Timer 2**

Set TCLK and/or RCLK in the TXCON register to select Timer 2 as the baud rate generator. The baud rate of the receiver and transmitter can be different. If Timer 2 acts as a receiver or transmitter, then Timer 1 acts as another baud rate generator

Set TCLK and/or RCLK in the TXCON register to make Timer 2 enter the baud rate generator mode, which is similar to the automatic reload mode

The overflow of Timer 2 will reload the values in the RCAPXH and RCAPXL registers to the Timer 2 count, but no interrupt will be generated

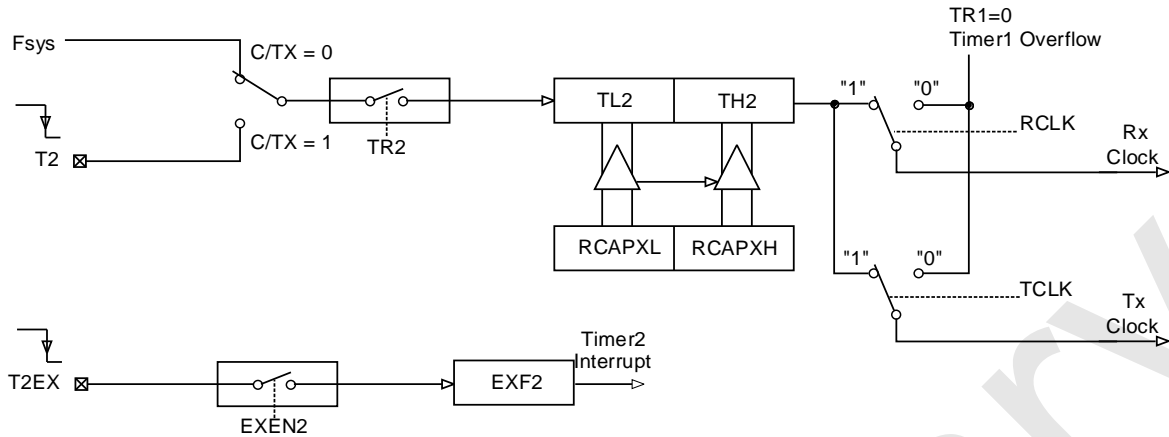
If EXENX is set to 1, the falling edge on the T2EX pin will set up EXFX, but it will not cause a heavy load. So when Timer 2 is used as a baud rate transmitter, T2EX can be used as an additional external interrupt

The baud rate in UART0 mode 1 and 3 is determined by the overflow rate of timer 2 according to the following equation:

$$\text{BaudRate} = \frac{f_{\text{sys}}}{[\text{RCAPXH}, \text{RCAPXL}]}; \text{ (Note: } [\text{RCAPXH}, \text{RCAPXL}] \text{ must be bigger than } 0\text{x}0010\text{)}$$

The schematic diagram of Timer 2 as a baud rate generator is as follows:





Mode 2: Baud rate generator

**Operating Mode 3: Programmable Clock Output**

In this way, Timer n(n=2~4) can be programmed to output a 50% duty cycle clock cycle: when C//Tn = 0; TnOE = 1, timer n is enabled as a clock generator

In this way, Tn outputs a clock with a 50% duty cycle

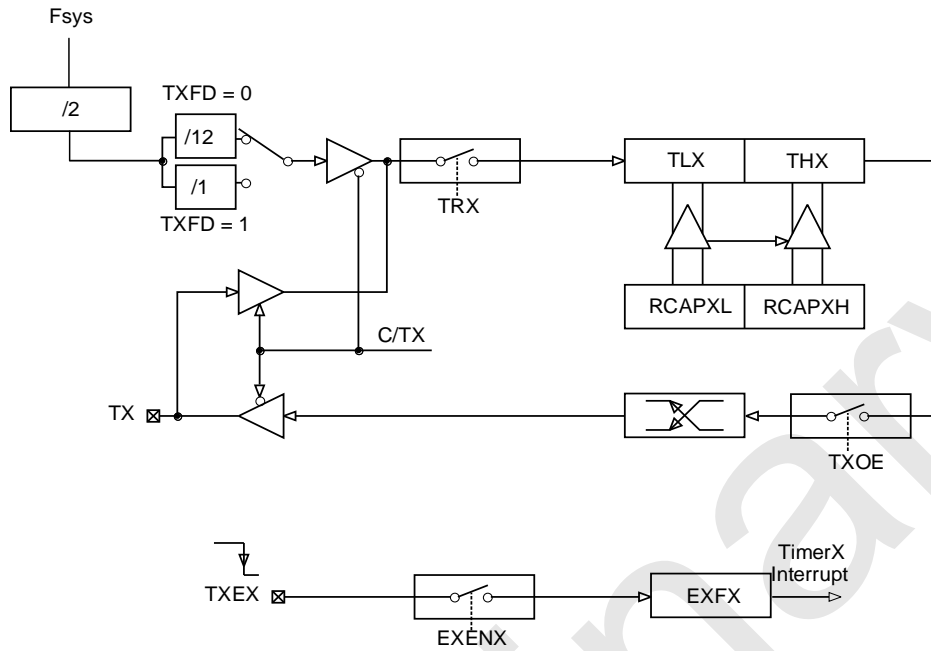
$$\text{Clock Out Frequency} = \frac{f_n}{(65536 - [RCAPXH, RCAPXL]) \times 4};$$

Among them, fn is the timer n clock frequency:

$$f_n = \frac{f_{sys}}{12}; \quad TXFD = 0$$

$$f_n = f_{sys}; \quad TXFD = 1$$

Timer n overflow does not generate an interrupt, and the Tn port is used as a clock output.



Mode 3: Programmable clock output

Note:

1. Both TFX and EXFX can cause the interrupt request of Timer n(n=2~4), both have the same vector address;
2. When the event occurs or at any other time, TFX and EXFX can be set to 1 by software, and only software and hardware reset can clear it to 0;
3. When EA = 1 and ETn = 1, setting TFX or EXFX to 1 can cause Timer n to interrupt;
4. When Timer n is used as a baud rate generator, writing THX/TLX or RCAPXH/RCAPXL will affect the accuracy of the baud rate and cause communication errors.



## 12 PWM2/3/4

The SC95F857X provides up to 14 PWM, which divided into two categories:

1. Multi-function PWM: 8 channels for only one group PWM0, output signal port: PWM00~07
2. Conventional PWM: 6 channels divided into 3 groups: PWM2, PWM3, PWM4.

**Note:** These three sets of PWM period registers are shared with the TLX and THX of Timer2, Timer3, and Timer4 respectively. Therefore, once users use the PWM2, PWM3, and PWM4 resources, they cannot change the timing/count value of Timer2, Timer3, and Timer4. Otherwise it will lead to abnormal OUTPUT of PWM cycle!

### 12.1 PWM2/3/4 related Registers

**TXINX (CEH) Timer 2/3/4 Control Register Pointer (read/write)**

Bit number	7	6	5	4	3	2	1	0
Bit Mnemonic	-	-	-	-	-	TXINX[2: 0]		
R/W	-	-	-	-	-	R/W	R/W	R/W
POR	x	x	x	x	x	0	1	0

Bit number	Bit Mnemonic	Description
2~0	<b>TXINX[2: 0]</b>	Timer 2/3/4 control register pointer  010: Timer X register set: TXCON / TXMOD / RCAPXL / RCAPXH / TLX / THX points to PWM2  011: Timer X register set points to PWM3  100: Timer X register set points to PWM4  Other: reserved
7~3	-	Reserved

**TXCON (C8H) Timer n Control Register (read/write)**



Bit number	7	6	5	4	3	2	1	0
Bit Mnemonic	TFX	EXFX	RCLKX	TCLKX	EXENX	TRX	C/TX	CP/RLX
R/W	R/W	R/W	R/W	R/W	R/W	R/W	R/W	R/W
POR	0	0	0	0	0	0	0	0

Bit number	Bit Mnemonic	Description
2	<b>TRX</b>	Timer n start/stop control bit 0: stop timer n/stop PWMn counter 1: Start timer n/start PWMn counter

When EPWMn0 or EPWMn1 is set to 1, the Timer can start PWM mode, Tn and TnEX (n= 2~4) are invalid, and PWMxy (x= 2~4, y=0~1) can output PWM waveform.

#### **TXMOD (C9H) Timer n Operating Mode Register (read/write)**

Bit number	7	6	5	4	3	2	1	0
Bit Mnemonic	TXFD	-	EPWM21	EPWM20	INV21	INV20	TXOE	DCXEN
R/W	R/W	-	R/W	R/W	R/W	R/W	R/W	R/W
POR	0	x	0	0	0	0	0	0

Bit number	Bit Mnemonic	Description
5	<b>ENPWMn1</b>	PWMn1 Waveform output select 0: PWMn1 output is disabled



		1: I/O where PWMn1 resides serves as the output port of the PWM waveform
4	<b>ENPWMn0</b>	PWMn0 Waveform output select  0: PWMn0 output is disabled  1: I/O where PWMn0 resides serves as the output port of the PWM waveform
3	<b>INVn1</b>	PWMn1 waveform output reverse control  1: PWMn1 waveform output is reversed  0: PWMn1 waveform output is not reversed
2	<b>INVn0</b>	PWMn0 waveform output reverse control  1: PWMn0 waveform output is reversed  0: PWMn0 waveform output is not reversed

The THX and TLX counter starts counting from 0, and when the count value matches the value of the duty cycle setting item PDTxy [15: 0], the PWM output waveform switches between high and low levels, The THX and TLX counter then continues counting upward reload value PWMPDX, then THX and TLX counter is cleared and generate count overflow events and a PWM cycle ends. If the timer interrupt is enabled, a timer interrupt will be generated at this time.

The calculation formula of PWM period  $T_{PWM}$  output by Timer is as follows:

$$T_{pwm} = \frac{PWMPDX[15:0] + 1}{f_{sys}}$$

Duty calculation formula:

$$duty = \frac{PDTxy [15:0]}{PWMPDX[15:0] + 1}$$

The PWM cycle is set through the following registers:

**RCAPXH (CBH)**

**PWMn period register high 8 bits(R/W)**

**Note: The PWM2/3/4 cycle register is multiplexed with Timer2, Timer3, and Timer4. Therefore, once users use the PWM2, PWM3, and PWM4 resources, they cannot change the timer/counter value of Timer2, Timer3, and Timer4. Otherwise, the PWM cycle output will be abnormal!**

<b>Bit number</b>	7	6	5	4	3	2	1	0
-------------------	---	---	---	---	---	---	---	---



Bit Mnemonic	PWMPDHX[7:0]							
R/W	R/W	R/W	R/W	R/W	R/W	R/W	R/W	R/W
POR	0	0	0	0	0	0	0	0

**RCAPXL (CAH)**

**PWMn period register low 8 bits (R/W) ( TXINX[2:0] = 010)**

**Note: The PWM2/3/4 cycle register is multiplexed with Timer2, Timer3, and Timer4. Therefore, once users use the PWM2, PWM3, and PWM4 resources, they cannot change the timer/counter value of Timer2, Timer3, and Timer4. Otherwise, the PWM cycle output will be abnormal!**

Bit number	7	6	5	4	3	2	1	0
Bit Mnemonic	PWMPDLX[7:0]							
R/W	R/W	R/W	R/W	R/W	R/W	R/W	R/W	R/W
POR	0	0	0	0	0	0	0	0

Bit number	Bit Mnemonic	Description
7~0	<b>PWMPDX[15:0]</b>	PWMn cycle set This value represents the output waveform of PWMn (cycle-1); that is to say PWMn cycle of output is(PWMPDX[15:0] + 1) * PWM clock

The PWM duty is set through the following registers:

**PWM2~4 Duty cycle adjustment register (R/W)**

ADD	7	6	5	4	3	2	1	0	POR
1034H	PDT20[15:8]								0000000b
1035H	PDT20[7:0]								0000000b
1036H	PDT21[15:8]								0000000b
1037H	PDT21[7:0]								0000000b
1038H	PDT30[15:8]								0000000b
1039H	PDT30[7:0]								0000000b
103AH	PDT31[15:8]								0000000b
103BH	PDT31[7:0]								0000000b
103CH	PDT40[15:8]								0000000b



103DH	PDT40[7:0]	00000000b
103EH	PDT41[15:8]	00000000b
103FH	PDT41[7:0]	00000000b

Bit number	Bit Mnemonic	Description
7~0	<b>PDTxy[15:0]</b> (x=2~4, y=0~1)	PWMxy waveform duty cycle length setting The high level width of the PWMxy waveform is: (PDTxy[15:0] + 1 ) PWM clock

## 12.2 PWM2/3/4 Duty Variation Characteristics

The duty can be changed by changing the high level setting register PDTxy (x=2~4, y=0~1) when PWM2/3/4 output waveform. However, it should be noted that if you change the PDTxy value, the duty will not change immediately, but wait until the end of this cycle and change in the next cycle.

## 12.3 PWM2/3/4 Cycle Variation Characteristics

If you need to change the period when the PWM2/3/4 outputs the waveform, you can set the TLX and THX values of the register groups by changing the period. Change the value of the cycle register, the PWM output cycle changes as follows:

Define the current period meter value as  $T_n$ , when writing the period register, the value recorded by the timer is  $T_m$ , and the period meter value to be updated is  $T_x$ , then:

$T_m \leq T_x$ : the period changes in real time according to  $T_x$ ;

$T_m > T_x$ : At this point, the cycle change will be divided into two stages. In the first stage, after writing to the cycle register, the cycle counter accumulates from the current count until overflow is cleared. In the second phase, the period changes with respect to  $T_x$ .



## 13 PWM0

The SC95F857X provides up to 14 PWM, which divided into two categories:

1. Multi-function PWM: 8 channels for only one group PWM0, output signal port: PWM00~07
2. Conventional PWM: 6 channels divided into 3 groups: PWM2, PWM3, PWM4.

**Note: These three sets of PWM period registers are shared with the TLX and THX of Timer2, Timer3, and Timer4 respectively. Therefore, once users use the PWM2, PWM3, and PWM4 resources, they cannot change the timing/count value of Timer2, Timer3, and Timer4. Otherwise it will lead to abnormal OUTPUT of PWM cycle!**

The functions of the PWM0 of the SC95F857X are as follows:

1. 16-bit PWM accuracy;
2. The output waveform can be reversed;
3. Type: Can be set to center-aligned or edge-aligned;
4. Mode: can be set to independent mode or complementary mode:
  - a) In independent mode, the 8 PWM cycles are the same, but the duty cycle of each PWM output waveform can be set separately;
  - b) In complementary mode, four sets of complementary PWM waveforms with dead zones can be output simultaneously;
5. Provide one PWM overflow interrupt;
6. Support fault detection mechanism.

The PWM of the SC95F857X can support the adjustment of period and duty cycle. The registers PWMCFG, PWMCON0 and PWMCON1 control the state and period of PWM. The opening of each PWM and the output waveform duty cycle can be adjusted separately.

### 13.1 PWM Structure Diagram







## 13.2 PWM0 General Configuration Register

### 13.2.1 PWM0 General Configuration Register

The user can set the PWM output mode of SC95F857X to independent mode or complementary mode by configuring PWMMMD[1: 0]. In independent mode, the 8 PWM cycles are the same, but the duty cycle of each PWM output waveform can be set separately. In complementary mode, four complementary PWM waveforms with dead zones can be output simultaneously.

The PWM type of SC95F857X is divided into edge-aligned type and center-aligned type:

#### Edge-aligned:

The PWM counter starts counting from 0, and when the count value matches the value of the duty cycle setting item PDTx [15: 0], the PWM output waveform switches between high and low levels, The PWM counter then continues counting upward until it matches the value of the period setting PWMPD[15:0] +1 (the end of a PWM period), the PWM counter is cleared, if the PWM interrupt is enabled, a PWM interrupt will be generated at this time.

The output PWM waveform is aligned on the left edge.

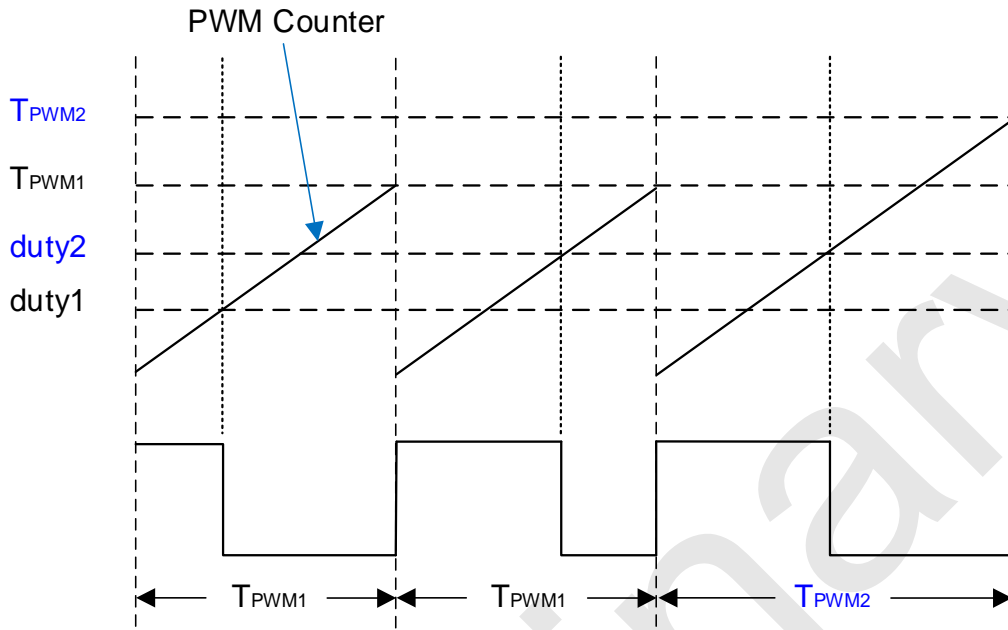
Calculation formula of edge-aligned period  $T_{PWM}$ :

$$T_{pwm} = \frac{PWMPD[15: 0] + 1}{PWM \text{ Clock frequency}}$$

Edge-aligned **duty** calculation formula:

$$duty = \frac{PDTx [15: 0]}{PWMPD[15: 0] + 1}$$

The edge-aligned waveform is as follows:



Edge-aligned PWM

**Center-aligned type:**

The PWM counter starts counting from 0. When the count value matches the value of the duty cycle setting item PDTx [15: 0], the PWM output waveform switches between high and low levels. Then the PWM counter continues to count up. When the count matches the value of PWMPD[15:0] + 1 (that is, the midpoint of the PWM cycle), it automatically starts to count down. When the count value matches the value of PDTx [15: 0] again, the PWM output waveform switches high and low again, and then The PWM counter continues to count down until it overflows (the end of a PWM period). If the PWM interrupt is enabled, a PWM interrupt will be generated at this time.

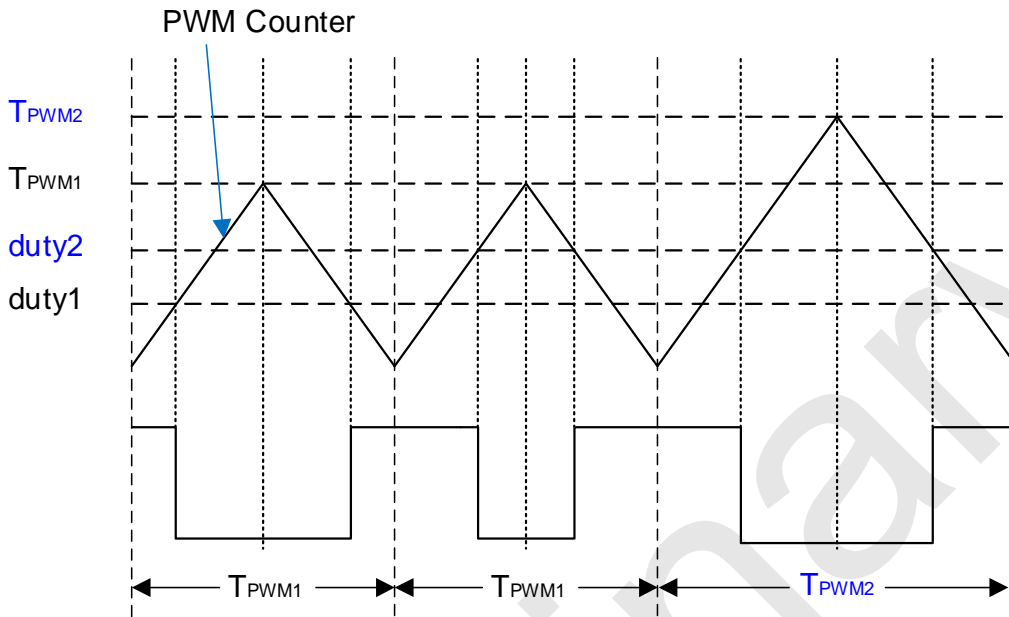
Calculation formula of center-aligned period  $T_{PWM}$ :

$$T_{pwm} = 2 * \frac{PWMPD[15: 0] + 1}{PWM \text{ Clock frequency}}$$

Center-aligned **duty** calculation formula:

$$duty = \frac{PDTx [15: 0]}{PWMPD[15: 0] + 1}$$

The center aligned waveform is as follows:



Center-aligned PWM

The above modes and types can be set through the PWMMOD register:

**PWMCON0 (D2H) PWM Control Register (read/write)**

Bit number	7	6	5	4	3	2	1	0
Bit Mnemonic	ENPWM	PWMIF	PWMCK[1:0]		-	-	PWMMD[1:0]	
R/W	R/W	R/W	R/W	R/W	R/W	R/W	R/W	R/W
POR	0	0	0	0	x	x	0	0

Bit number	Bit Mnemonic	Description
7	<b>ENPWM</b>	PWM module switch control (Enable PWM)



		<p>1: Allow Clock to enter the PWM unit, the PWM is in the operating state, and the state of the PWM output port is controlled by the register ENPWMx (x=0~7)</p> <p>0: The PWM unit stops operating, the PWM counter is cleared, and all PWM output ports are set to the GPIO state</p>
6	<b>PWMIF</b>	<p>PWM interrupt request flag</p> <p>When the PWM counter overflows (that is, when the count exceeds PWMPD), this bit is automatically set to 1 by the hardware. If IE1[1] (EPWM) is also set to 1, the PWM interrupt is generated at this time. After the PWM interrupt occurs, the hardware will not automatically clear this bit. This bit must be cleared by the user's software.</p>
5~4	<b>PWMCK[1: 0]</b>	<p>PWM Clock Source Selector (PWM Clock Source Selector)</p> <p>00: fosc</p> <p>01: fosc /2</p> <p>10: fosc /4</p> <p>11: fosc /8</p>
1~0	<b>PWMMD[1: 0]</b>	<p>PWM operating mode setting</p> <p>0x: Independent mode</p> <p>1x: complementary mode</p> <p>x0: edge alignment mode</p> <p>x1: center alignment mode</p>
3~2	-	Reserved

**PWMCFG (D1H) PWM Set Register (read/write)**

Bit number	7	6	5	4	3	2	1	0
Bit Mnemonic	INV7	INV6	INV5	INV4	INV3	INV2	INV1	INV0
R/W	R/W	R/W	R/W	R/W	R/W	R/W	R/W	R/W



POR	0	0	0	0	0	0	0	0
-----	---	---	---	---	---	---	---	---

Bit number	Bit Mnemonic	Description
7~0	<b>INVx(x=0~7)</b>	PWMx waveform output reverse control 1: PWMx waveform output is reversed 0: PWMx waveform output is not reversed

**PWMCON1 (D3H) PWM Control Register (read/write)**

Bit number	7	6	5	4	3	2	1	0
Bit Mnemonic	ENPWM 7	ENPWM 6	ENPWM 5	ENPWM 4	ENPWM 3	ENPWM 2	ENPWM 1	ENPWM 0
R/W	R/W	R/W	R/W	R/W	R/W	R/W	R/W	R/W
POR	0	0	0	0	0	0	0	0

Bit number	Bit Mnemonic	Description
7~0	<b>ENPWMx (x=0~7)</b>	PWMx Waveform output select 0: PWMx output is disabled 1: I/O where PWMx resides serves as the output port of the PWM waveform

**Note:**

1. If ENPWM is set to 1, the PWM module is turned on, but ENPWMx=0, and the PWM output is turned off as a GPIO port. In this case, the PWM module can be used as a 16-bit Timer. When EPWM(IE1.1) is set to 1, the PWM will still interrupt.

**PWMPDL (D4H) period register low 8 bits(R/W)**



Bit number	7	6	5	4	3	2	1	0
Bit Mnemonic	PWMPDL[7:0]							
R/W	R/W	R/W	R/W	R/W	R/W	R/W	R/W	R/W
POR	0	0	0	0	0	0	0	0

**PWMPDH (D5H)PWMn period register high 8 bits (R/W)**

Bit number	7	6	5	4	3	2	1	0
Bit Mnemonic	PWMPDH[7:0]							
R/W	R/W	R/W	R/W	R/W	R/W	R/W	R/W	R/W
POR	0	0	0	0	0	0	0	0

Bit number	Bit Mnemonic	Description
7~0	<b>PWMPD[15:0]</b>	PWM cycle set This value represents the output waveform of PWMn (cycle-1); that is to say PWMn cycle of output is(PWMPD[15:0] + 1) * PWM clock

**IE1 (A9H) Interrupt Enable Register (read/write)**

Bit number	7	6	5	4	3	2	1	0
Bit Mnemonic	ET4	ET3	-	ETK	EINT2	EBTM	EPWM	EUSCIO
R/W	R/W	R/W	-	R/W	R/W	R/W	R/W	R/W
POR	0	0	x	0	0	0	0	0

Bit number	Bit Mnemonic	Description
------------	--------------	-------------



1	<b>EPWM</b>	PWM interrupt enable control  0: Disable PWM interrupt  1: Enable interrupt when PWM counter overflows
---	-------------	--

**IP1 (B9H) Interrupt Priority Register 1 (read/write)**

Bit number	7	6	5	4	3	2	1	0
Bit Mnemonic	IPT4	IPT3	-	IPTK	IPINT2	IPBTM	IPPWM	IPUSCIO
R/W	R/W	R/W	-	R/W	R/W	R/W	R/W	R/W
POR	0	0	x	0	0	0	0	0

Bit number	Bit Mnemonic	Description
1	<b>IPPWM</b>	PWM interrupt priority selection  0: Set the PWM interrupt priority to "low"  1: Set the PWM interrupt priority to "High"

**13.2.2 PWM0 Fault Detection Function Setting**

The SC95F857X series supports fault detection mechanisms. The fault detection function is often used in the protection of motor systems. The fault detection function is often applied to the protection of motor systems. When the fault detection function is enabled, FLTEN1 (PWMFLT.7) is set to 1, and the fault detection signal input pin (FLT) becomes effective. When the signal of the FLT pin meets the fault condition, the flag bit FLTSTA1 is set by hardware, and the PWM output stops. The PWM counter still keeps counting and THE PWM interrupt is not affected. The fault detection mode is divided into latch mode and immediate mode; in immediate mode, when the fault signal on the FLT pin meets the disabling condition, the flag FLTSTA1 is cleared by hardware, and until the PWM counter returns to zero. Output; In the latch mode, when the fault signal on the FLT pin meets the disabling condition, the status of the FLTSTA1 flag remains unchanged, and the user can clear it through software. Once the FLTSTA1 status is cleared, the PWM counter resumes counting until the PWM counter returns The PWM resumes output after zero. The fault detection mode is divided into latch mode and immediate mode. The specific configuration methods are as follows:



**PWMFLT (D7H) PWM Fault Detection Setting Register (read/write)**

Bit number	7	6	5	4	3	2	1	0
Bit Mnemonic	FLTEN1	FLTSTA1	FLTMD1	FLTLV1	-	-	FLTDT1[1: 0]	
R/W	R/W	R/W	R/W	R/W	-	-	R/W	R/W
POR	0	0	0	0	x	x	0	0

Bit number	Bit Mnemonic	Description
7	<b>FLTEN1</b>	PWM fault detection function control bit 0: The fault detection function is turned off 1: The fault detection function is turned on
6	<b>FLTSTA1</b>	PWM fault detection status flag 0: PWM is in normal output state; 1: Fault detection is valid, the PWM output is in a high-impedance state, if in latch mode, this bit can be cleared by software
5	<b>FLTMD1</b>	PWM fault detection mode setting bit 0: Latch mode: when the fault input is valid, FLTSTA1 is set to "1", the PWM stops outputting, and the FLTSTA1 state remains unchanged when the fault input is invalid 1: Immediate mode: When the fault input is valid, FLTSTA1 is set to "1" and the PWM stops outputting. When the fault input is invalid, the state of FLTSTA1 is cleared immediately, and the PWM waveform will resume output when the PWM time base counter count to zero
4	<b>FLTLV1</b>	PWM fault detection level selection bit 0: Low level of fault detection is effective 1: High level of fault detection is effective



1~0	<b>FLTDT1[1: 0]</b>	PWM fault detection input signal filtering time setting 00: filtering time is 0 01: filtering time is 1us 10: filtering time is 4us 11: filtering time is 16us
3~2	-	Reserved

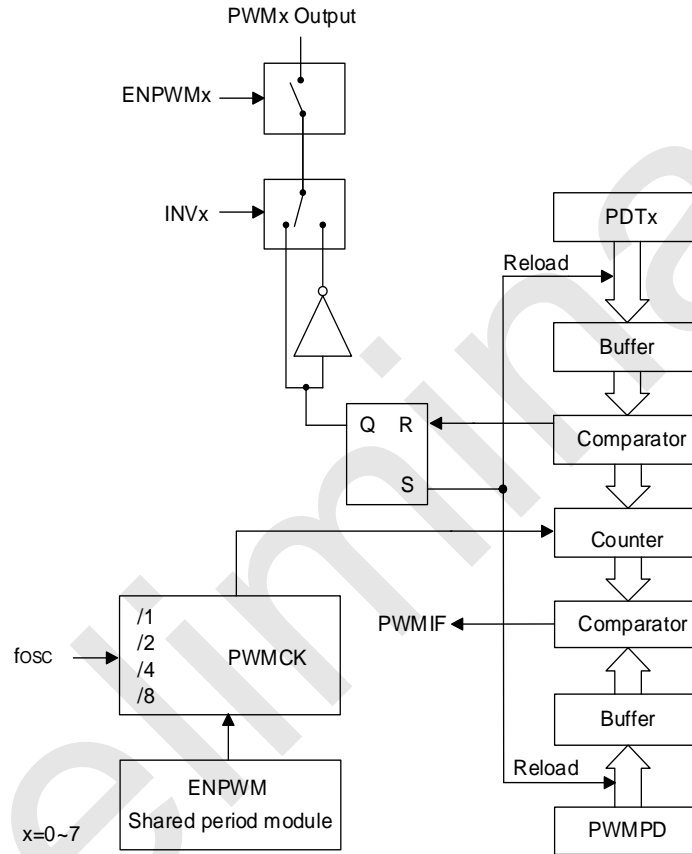
Preliminary



### 13.3 PWM0 Independent Mode

In independent mode (PWMMD.1 = 0), the duty cycle of 8 PWM channels can be set independently. The user configures the PWM output status and period, and then configures the duty cycle register of the corresponding PWM channel to output the PWM waveform at a fixed duty cycle.

#### 13.3.1 PWM0 Independent Mode Block Diagram



SC95F857X PWM Independent mode block diagram

### 13.3.2 PWM0 Independent Mode Duty Cycle Configuration

#### PWM0 Duty Cycle Adjustment Register PDT0x (Read/Write)

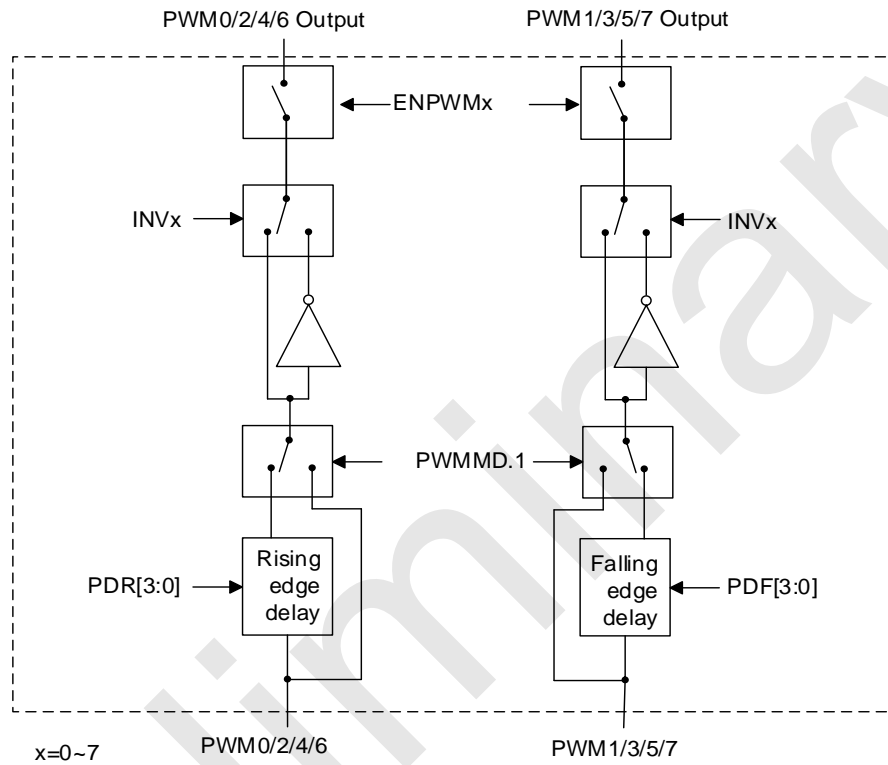
ADDRESS	7	6	5	4	3	2	1	0	POR
1040H	PDT00[15:8]								00000000b
1041H	PDT00[7:0]								00000000b
1042H	PDT01[15:8]								00000000b
1043H	PDT01[7:0]								00000000b
1044H	PDT02[15:8]								00000000b
1045H	PDT02[7:0]								00000000b
1046H	PDT03[15:8]								00000000b
1047H	PDT03[7:0]								00000000b
1048H	PDT04[15:8]								00000000b
1049H	PDT04[7:0]								00000000b
104AH	PDT05[15:8]								00000000b
104BH	PDT05[7:0]								00000000b
104CH	PDT06[15:8]								00000000b
104DH	PDT06[7:0]								00000000b
104EH	PDT07[15:8]								00000000b
104FH	PDT07[7:0]								00000000b

Bit number	Bit Mnemonic	Description
3~0	<b>PDT0x [15: 8]</b> <b>(x=0~7)</b>	PWMx waveform duty cycle length setting The high-level width of the PWMx waveform is (PDT0x [15: 0]) PWM clocks



### 13.4 PWM0 Complementary Model

#### 13.4.1 PWM0 Block Diagram of Complementary Mode



SC95F857X PWM block diagram of complementary mode

#### 13.4.2 PWM0 Complementary Mode Duty Cycle Configuration

In complementary mode (PWMMD[1: 0] = 1x), PWM00/PWM01, PWM02/PWM03, PWM04/PWM05 and PWM06/PWM07 are divided into four groups, respectively through PDT00[15:0], PDT02[15:0], PDT04[15:0] and PDT06[15:0] adjust the duty ratio;

The registers PDT01[15:0], PDT03[15:0], PDT05 [15:0] and PDT07[15:0] are invalid in the complementary mode.

#### PWM0 Duty Cycle Adjustment Register PDT0x (Read/Write)



ADDRESS	7	6	5	4	3	2	1	0	POR
1040H	PDT00[15:8]								00000000b
1041H	PDT00[7:0]								00000000b
1042H	PDT01[15:8]								00000000b
1043H	PDT01[7:0]								00000000b
1044H	PDT02[15:8]								00000000b
1045H	PDT02[7:0]								00000000b
1046H	PDT03[15:8]								00000000b
1047H	PDT03[7:0]								00000000b
1048H	PDT04[15:8]								00000000b
1049H	PDT04[7:0]								00000000b
104AH	PDT05[15:8]								00000000b
104BH	PDT05[7:0]								00000000b
104CH	PDT06[15:8]								00000000b
104DH	PDT06[7:0]								00000000b
104EH	PDT07[15:8]								00000000b
104FH	PDT07[7:0]								00000000b

Bit number	Bit Mnemonic	Description
7~0	<b>PDT0x [7: 0]</b>  <b>(x=0, 2, 4, 6)</b>	PWMx and PWMy, y=x+1 port PWM waveform duty cycle length setting  The high-level width of the PWM waveform on the Px and Py pins is (PDTx [15: 0]) PWM clocks

### 13.4.3 PWM Complementary Mode Dead Time Setting

When the PWM0 of the SC95F857X works in complementary mode, the dead zone control module can prevent the effective time zones of the two PWM signals of complementary outputs from overlapping each other, so as to ensure that a pair of complementary power switch tubes driven by PWM signals will not be turned on at the same time.

**PWMDFR (D6H) PWM Dead Time Setting Register (read/write)**

Bit number	7	6	5	4	3	2	1	0
Bit Mnemonic	PDF[3: 0]				PDR[3: 0]			
R/W	R/W	R/W	R/W	R/W	R/W	R/W	R/W	R/W
POR	0	0	0	0	0	0	0	0

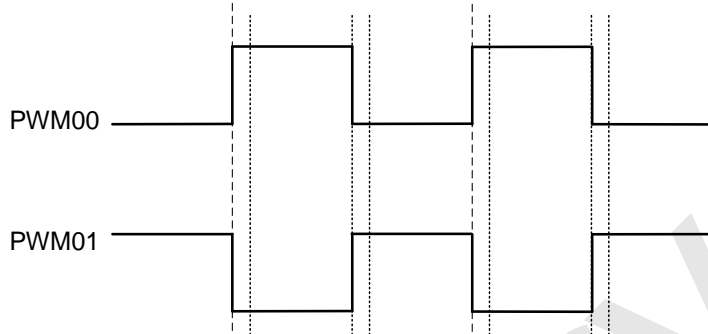
Bit number	Bit Mnemonic	Description
7~4	<b>PDF[3: 0]</b>	Complementary mode: PWM falling edge dead time= $4 \cdot \text{PDF}[3: 0] / f_{\text{osc}}$
3~0	<b>PDR[3: 0]</b>	Complementary mode: PWM rising edge dead time= $4 \cdot \text{PDR}[3: 0] / f_{\text{osc}}$

**13.4.4 PWM0 Dead Zone Output Waveform**

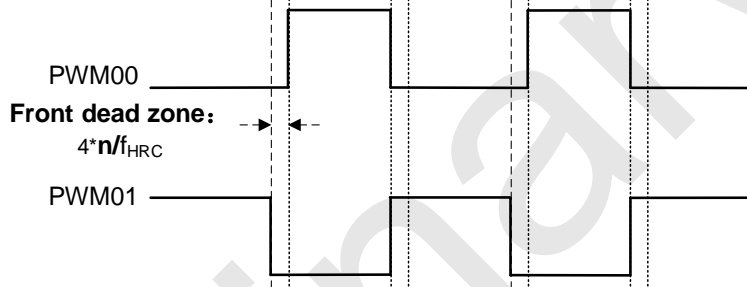
The following figure is based on the PWM00 and PWM01 in the complementary mode of the dead time adjustment waveform, in order to facilitate the distinction, PWM01 has reversed (INV1=1).



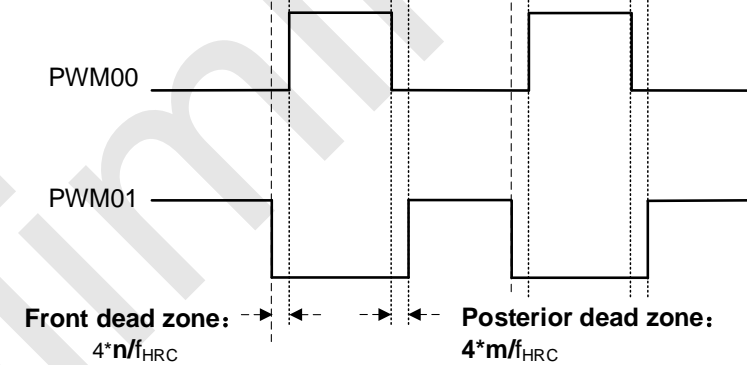
1. Dead zone not output:  
 PWMPD.1= X  
 PDF = 0  
 PDR = 0



2. Setting PWM0 rising edge dead zone:  
 PWMPD.1 = 1  
 PDF = 0  
 PDR = n



3. Setting PWM1 falling edge dead zone:  
 PWMPD.1 = 1  
 PDF = m  
 PDR = n  
 Note: PWM1 has reversed at this time, then PDF corresponds to control the Rising edge dead zone delay time of PWM1 output waveform



PWM0 dead zone output waveform

### 13.5 PWM0 Waveforms and Directions

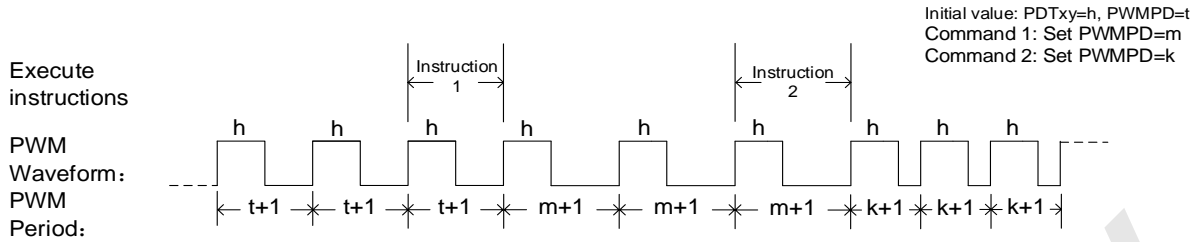
The effect of changing SFR parameters on the PWM0 waveform is as follows:

① Duty cycle change characteristics

When the PWMn outputs a waveform, if the duty cycle needs to be changed, it can be achieved by changing the value of the high-level setting register (PDTx). But need to pay attention: change the value of PDTx, the duty ratio will not change immediately, but wait for the period ends, and change in the next period.

② Periodic change characteristics

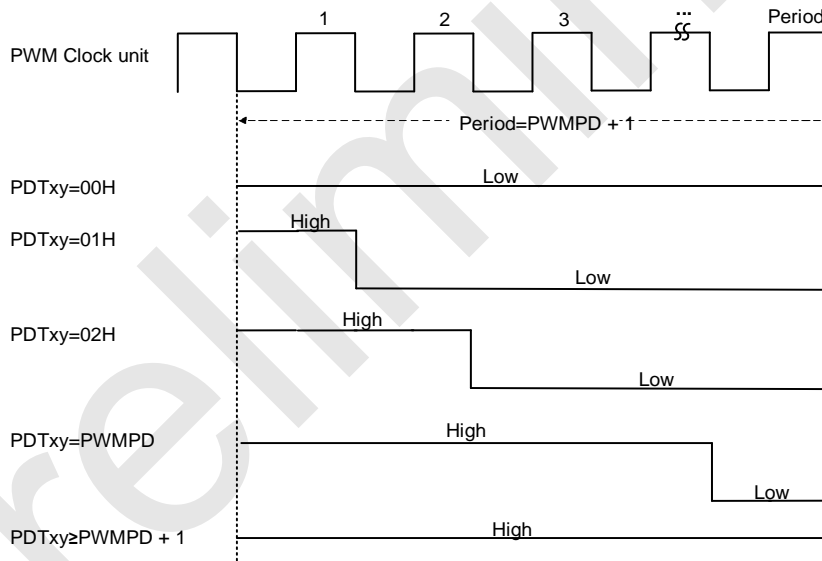




Periodic change characteristic diagram

When the PWM outputs a waveform, if the period needs to be changed, it can be achieved by changing the value of the period setting register PWMPD. Change the value of PWMPD, the cycle will not change immediately, but wait for the period ends, and change in the next period, refer to the figure above.

③ Relationship between period and duty cycle



Relationship between cycle and duty cycle

The relationship between period and duty cycle is shown in the figure above. The premise of this result is that the PWM output inverse control (INVx, x=0~7) is initially 0. If you want to get the opposite result, you can set INVx to 1.



## 14 General-purpose I/O (GPIO)

The SC95F857X provides up to 30 bidirectional GPIO ports that can be controlled. The input and output control registers are used to control the input and output status of each port. When the port is used as an input, each I/O port has an internal pull-up resistor controlled by PxPHY. The 30 IOs are multiplexed with other functions. Among them. When the I/O port is in the input or output state, the actual state value of the port is read from the port data register.

**Note: The unused and unled IO ports should be set to strong push-pull output mode.**

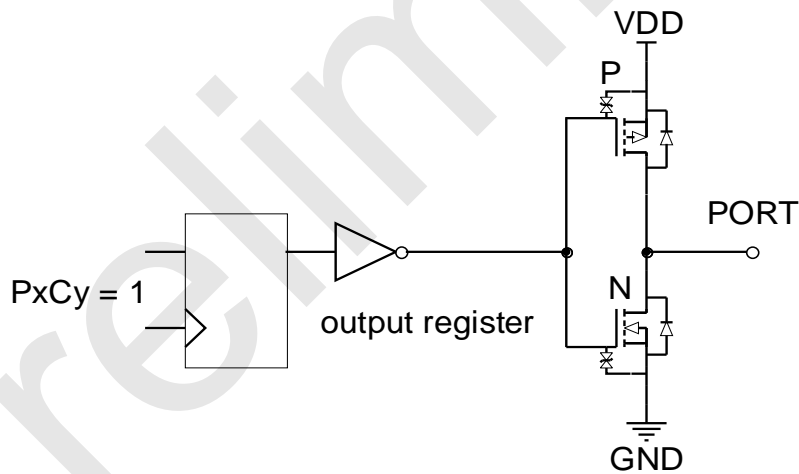
### 14.1 GPIO Structure Diagram

#### Strong Push-pull Output Mode

In the strong push-pull output mode, it can provide continuous high-current drive:

- Other than P05/P20/P21, the I/O driver capability is an output greater than 10mA is high, and an output greater than 50mA is low.
- P05/P20/P21 drive can be achieved an output greater than 20mA is high, and an output greater than 50mA is low.

The schematic diagram of the port structure of the strong push-pull output mode is as follows:

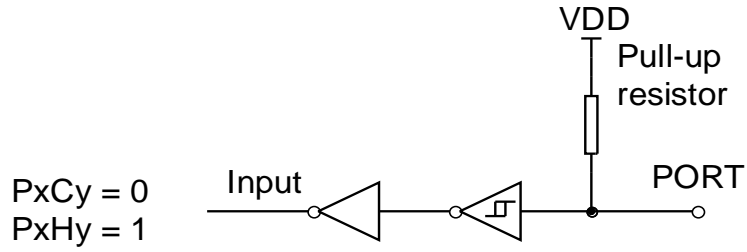


Strong push-pull output mode

#### Pull-up Input Mode

In the pull-up input mode, a pull-up resistor is constantly connected to the input port. Only when the input port is pulled low, the low-level signal is detected.

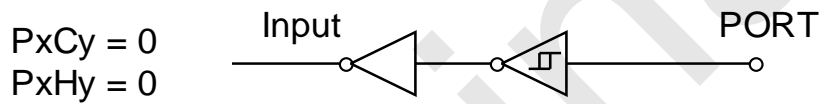
The schematic diagram of the port structure with pull-up input mode is as follows:



Input mode with pull-up resistor

**High Impedance Input Mode (Input only)**

The schematic diagram of the port structure of the high impedance input mode is as follows:



High impedance input mode



## 14.2 I/O Port-related Registers

### P0CON (9AH) P0 Port Input/Output Control Register (read/write)

Bit number	7	6	5	4	3	2	1	0
Bit Mnemonic	P0C7	P0C6	P0C5	P0C4	P0C3	P0C2	P0C1	P0C0
R/W	R/W	R/W	R/W	R/W	R/W	R/W	R/W	R/W
POR	0	0	0	0	0	0	0	0

### P0PH (9BH) P0 Port pull-up Resistor Control Register (read/write)

Bit number	7	6	5	4	3	2	1	0
Bit Mnemonic	P0H7	P0H6	P0H5	P0H4	P0H3	P0H2	P0H1	P0H0
R/W	R/W	R/W	R/W	R/W	R/W	R/W	R/W	R/W
POR	0	0	0	0	0	0	0	0

### P1CON (91H) P1 Port Input/Output Control Register (read/write)

Bit number	7	6	5	4	3	2	1	0
Bit Mnemonic	P1C7	P1C6	P1C5	P1C4	P1C3	P1C2	P1C1	P1C0
R/W	R/W	R/W	R/W	R/W	R/W	R/W	R/W	R/W
POR	0	0	0	0	0	0	0	0

**P1PH (92H) P1 Port Pull-up Resistor Control Register (read/write)**

Bit number	7	6	5	4	3	2	1	0
Bit Mnemonic	P1H7	P1H6	P1H5	P1H4	P1H3	P1H2	P1H1	P1H0
R/W	R/W	R/W	R/W	R/W	R/W	R/W	R/W	R/W
POR	0	0	0	0	0	0	0	0

**P2CON (A1H) P2 Port Input/output Control Register (read/write)**

Bit number	7	6	5	4	3	2	1	0
Bit Mnemonic	P2C7	P2C6	P2C5	P2C4	P2C3	P2C2	P2C1	P2C0
R/W	R/W	R/W	R/W	R/W	R/W	R/W	R/W	R/W
POR	0	0	0	0	0	0	0	0

**P2PH (A2H) P2 Port Pull-up Resistor Control Register (read/write)**

Bit number	7	6	5	4	3	2	1	0
Bit Mnemonic	P2H7	P2H6	P2H5	P2H4	P2H3	P2H2	P2H1	P2H0
R/W	R/W	R/W	R/W	R/W	R/W	R/W	R/W	R/W
POR	0	0	0	0	0	0	0	0

**P5CON (D9H) P5 Port Input/output Control Register (read/write)**

Bit number	7	6	5	4	3	2	1	0
Bit Mnemonic	-	-	-	-	-	-	P5C1	P5C0
R/W	-	-	-	-	-	-	R/W	R/W
POR	x	x	x	x	x	x	0	0

**P5PH (DAH) P5 Port Pull-up Resistor Control Register (read/write)**

Bit number	7	6	5	4	3	2	1	0
Bit Mnemonic	-	-	-	-	-	-	P5H1	P5H0
R/W	-	-	-	-	-	-	R/W	R/W
POR	x	x	x	x	x	x	0	0

Bit number	Bit Mnemonic	Description
7~0	<b>PxCy</b> (x=0~2,5, y=0~7)	Px port input and output control: 0: Pxy is the input mode (initial value at power-on) 1: Pxy is a strong push-pull output mode
7~0	<b>PxHy</b> (x=0~2,5, y=0~7)	The Px port pull-up resistor setting is only valid when PxCy=0: 0: Pxy is the high-impedance input mode (initial value at power-up), and the pull-up resistor is turned off; 1: Pxy pull-up resistor is on

**P0 (80H) P0 Port Data Register (read/write)**

Bit number	7	6	5	4	3	2	1	0
Bit Mnemonic	P0.7	P0.6	P0.5	P0.4	P0.3	P0.2	P0.1	P0.0
R/W	R/W	R/W	R/W	R/W	R/W	R/W	R/W	R/W
POR	0	0	0	0	0	0	0	0

**P1 (90H) P1 Port Data Register (read/write)**

Bit number	7	6	5	4	3	2	1	0
Bit Mnemonic	P1.7	P1.6	P1.5	P1.4	P1.3	P1.2	P1.1	P1.0
R/W	R/W	R/W	R/W	R/W	R/W	R/W	R/W	R/W
POR	0	0	0	0	0	0	0	0

**P2 (A0H) P2 Port Data Register (read/write)**

Bit number	7	6	5	4	3	2	1	0
Bit Mnemonic	P2.7	P2.6	P2.5	P2.4	P2.3	P2.2	P2.1	P2.0
R/W	R/W	R/W	R/W	R/W	R/W	R/W	R/W	R/W
POR	0	0	0	0	0	0	0	0

**P5 (D8H) P5 Port Data Register (read/write)**

Bit number	7	6	5	4	3	2	1	0
Bit Mnemonic	-	-	-	-	-	-	P5.1	P5.0
R/W	-	-	-	-	-	-	R/W	R/W
POR	x	x	x	x	x	x	0	0

**IOHCON0 (96H) IOH Setting Register 0 (read/write)**

Bit number	7	6	5	4	3	2	1	0
Bit Mnemonic	P1H[1: 0]		P1L[1: 0]		P0H[1: 0]		P0L[1: 0]	
R/W	R/W	R/W	R/W	R/W	R/W	R/W	R/W	R/W
POR	0	0	0	0	0	0	0	0

Bit number	Bit Mnemonic	Description
7~6	<b>P1H[1: 0]</b>	P1 high four IOH settings 00: Set P1 high four IOH level 0 (maximum); 01: Set P1 high four IOH level 1; 10: Set P1 high four IOH level 2; 11: Set P1 high four IOH level 3 (minimum);
5~4	<b>P1L[1: 0]</b>	P1 low four IOH settings





		00: Set P1 low four IOH level 0 (maximum); 01: Set P1 low four IOH level 1; 10: Set P1 low four IOH level 2; 11: Set P1 low four IOH level 3 (minimum);
3~2	<b>P0H[1: 0]</b>	P0 high four IOH settings 00: Set P0 high four IOH level 0 (maximum); 01: Set P0 high four IOH level 1; 10: Set P0 high four IOH level 2; 11: Set P0 high four IOH level 3(minimum);
1~0	<b>P0L[1: 0]</b>	P0 low four IOH settings 00: Set P0 low four IOH level 0 (maximum); 01: Set P0 low four IOH level 1; 10: Set P0 low four IOH level 2; 11: Set P0 low four IOH level 3 (minimum);

**IOHCON1 (97H) IOH Setting Register 1 (read/write)**

Bit number	7	6	5	4	3	2	1	0
Bit Mnemonic	P5H[1:0]		P5L[1: 0]		P2H[1: 0]		P2L[1: 0]	
R/W	R/W	R/W	R/W	R/W	R/W	R/W	R/W	R/W
POR	0	0	0	0	0	0	0	0



Bit number	Bit Mnemonic	Description
7~6	<b>P5H[1: 0]</b>	P54,P55 IOH settings 00: set P54,P55 IOH level 0 (maximum); 01: Set P54,P55 IOH level 1; 10: Set P54,P55 IOH level 2; 11: Set P54,P55 IOH level 3 (minimum);
5~4	<b>P5L[1: 0]</b>	P5 low four IOH settings 00: Set P5 low four IOH level 0 (maximum); 01: Set P5 low four IOH level 1; 10: Set P5 low four IOH level 2; 11: Set P5 low four IOH level 3 (minimum);
3~2	<b>P2H[1: 0]</b>	P2 high four IOH settings 00: Set P2 high four IOH level 0 (maximum); 01: Set P2 high four IOH level 1; 10: Set P2 high four IOH level 2; 11: Set P2 high four IOH level 3 (minimum);
1~0	<b>P2L[1:0]</b>	P2 low four IOH settings 00: Set P2 low four IOH level 0 (maximum); 01: Set P2 low four IOH level 1; 10: Set P2 low four IOH level 2; 11: Set P2 low four IOH level 3 (minimum);



## 15 SERIAL INTERFACE (UART0)

The SC95F857X supports a full-duplex serial port, which can be conveniently used for connection with other devices or equipment, such as Wifi module circuit or other UART communication interface driver chip. The functions and features of UART0 are as follows:

1. Three communication modes are available: Mode 0, Mode 1 and Mode 3;
2. Can choose Timer 1 or Timer 2 as the baud rate generator;
3. Interrupt RI/TI can be generated after transmission and reception are completed, and the interrupt flag needs to be cleared by software.

### SCON (98H) Serial Control Register (read/write)

Bit number	7	6	5	4	3	2	1	0
Bit Mnemonic	SM0	SM1	SM2	REN	TB8	RB8	TI	RI
R/W	R/W	R/W	R/W	R/W	R/W	R/W	R/W	R/W
POR	0	0	0	0	0	0	0	0

Bit number	Bit Mnemonic	Description
7~6	<b>SM0~1</b>	Serial communication mode control bit 00: Mode 0, 8-bit half-duplex synchronous communication mode, serial data is sent and received on the RX pin. The TX pin is used as the transmit shift clock. 8 bits are sent and received per frame, the low bit is received or sent first; 01: Mode 1, 10-bit full-duplex asynchronous communication, consisting of 1 start bit, 8 data bits and 1 stop bit, the communication baud rate is variable; 10: reserved; 11: Mode 3, 11-bit full-duplex asynchronous communication, consisting of 1 start bit, 8 data bits, a programmable 9th bit, and 1 stop bit. The communication baud rate is variable.
5	<b>SM2</b>	Serial communication mode control bit 2, this control bit is only valid for mode 2,3



		<p>0: set RI to generate an interrupt request every time a complete data frame is received;</p> <p>1: When a complete data frame is received, RI will be set to generate an interrupt request only when RB8=1.</p> <p><b>The baud rate override setting bit is only valid in mode 0 (SM0~1 = 00):</b></p> <p>0: The serial port runs at 1/12 of the system clock</p> <p>1: The serial port runs at 1/4 of the system clock</p>
4	<b>REN</b>	<p>Receive enable control bit</p> <p>0: data reception is not allowed;</p> <p>1: Allow receiving data.</p>
3	<b>TB8</b>	Only valid for mode 2,3, which is the 9th bit of the transmitted data
2	<b>RB8</b>	Only valid for mode 2, 3, which is the 9th bit of the received data
1	<b>TI</b>	Transmit interrupt flag
0	<b>RI</b>	Receive interrupt flag

**SBUF (99H) Serial Data Buffer Register (read/write)**

Bit number	7	6	5	4	3	2	1	0
Bit Mnemonic	SBUF[7: 0]							
R/W	R/W	R/W	R/W	R/W	R/W	R/W	R/W	R/W
POR	0	0	0	0	0	0	0	0



Bit number	Bit Mnemonic	Description
7~0	<b>SBUF[7: 0]</b>	<p><b>Serial data buffer register</b></p> <p>SBUF contains two registers: a transmit shift register and a receive latch. The data written to SBUF will be sent to the transmit shift register and start the transmission process. Reading SBUF will return the contents of the receive latch.</p>

**PCON (87h) Power Management Control Register (write only, \*unreadable\*)**

Bit number	7	6	5	4	3	2	1	0
Bit Mnemonic	SMOD	-	-	-	RST	-	STOP	IDL
R/W	-\write only	-	-	-	Write only	-	Write only	Write only
POR	0	x	x	x	n	x	0	0

Bit number	Bit Mnemonic	Description
7~0	SBUF[7: 0]	<p>When SM0~1 = 01 (UART0 mode 1) or SM0~1 = 11 (UART0 mode 3), the baud rate is set to bit:</p> <p>0: the serial port runs at 1/fsys</p> <p>1: indicates that the serial port runs at 16/fsys</p>

**15.1 Baud Rate of Serial Communication**

In mode 0, the baud rate can be programmed to 1/12 or 1/4 of the system clock:

1. SM2=0, the serial port runs at 1/12 of the system clock;
  2. SM2=1, the serial port runs at 1/4 of the system clock.
- In modes 1 and 3, the serial port clock source can be programmed as either 1 or 16 of the system clock, determined by SMOD(pcon.7) bits. When SMOD is 0, the serial port runs at 1/fsys. When SMOD is 1, the serial port runs at 16/fsys. After the serial port clock source is determined, set the baud rate overflow rate by Timer 1 or Timer 2: When TCLK(TXCON. 4) and RCLK(TXCON. 5) bits are both 0, then timer 1 is baud rate generator mode, and the baud rate overflow rate of UART0 is set by [TH1,TL1]. The formula is as follows, note: When timer 1 acts as a baud rate generator, timer 1 must stop counting, i.e. TR1=0:



- SMOD = 0:  $\text{BaudRate} = \text{fsys} / ([\text{TH1}, \text{TL1}]);$  (Note: [TH1, TL1] must be bigger than 0x0010)
- SMOD = 1:  $\text{BaudRate} = 1/16 * \text{fsys} / ([\text{TH1}, \text{TL1}]);$
- When TCLK(TXCON. 4) or RCLK(TXCON. 5) is 1, then timer 2 is in baud rate generator mode, and the baud rate overflow rate of UART0 is set by [RCAP2H, RCAP2L], the formula is as follows:
  - SMOD = 0:  $\text{BaudRate} = \text{fsys} / [\text{RCAP2H}, \text{RCAP2L}];$  Note: [RCAPXH, RCAPXL] must be bigger than 0x0010)
  - SMOD = 1:  $\text{BaudRate} = 1/16 * \text{fsys} / [\text{RCAP2H}, \text{RCAP2L}];$

Preliminary



## 16 SPI/TWI/UART Serial Interface (USCI)

The SC95F857X is integrated with a three-option serial interface circuit (USCI), which facilitates the connection between the MCU and devices or devices with different interfaces. Users can configure the USCI interface to any of the SPI, TWI, and UART communication modes by configuring the USMD[1:0] bits of register OTCON. Its characteristics are as follows:

1. The SPI mode can be configured as either the master mode or slave mode
2. Communication in TWI mode can be configured in master mode or slave mode
3. UART mode can work in mode 1 (10-bit full-duplex asynchronous communication) and mode 3 (11-bit full-duplex asynchronous communication).

USCI interface related control registers are as follows:

Symbol	Address	Description	7	6	5	4	3	2	1	0	POR
US0CON0	95H	USCI0 control register 0	US0CON0[7: 0]								0000000 0b
US0CON1	9DH	USCI0 control register 1	US0CON1[7: 0]								0000000 0b
US0CON2	9EH	USCI0 control register 2	US0CON2[7: 0]								0000000 0b
US0CON3	9FH	USCI0 control register 3	US0CON3[7: 0]								0000000 0b
US1CON0	A4H	USCI1 control register 0	US1CON0[7: 0]								0000000 0b
US1CON1	A5H	USCI1 control register 1	US1CON1[7: 0]								0000000 0b
US1CON2	A6H	USCI1 control register 2	US1CON2[7: 0]								0000000 0b
US1CON3	A7H	USCI1 control register 3	US1CON3[7: 0]								0000000 0b
US2CON0	C4H	USCI2 control register 0	US2CON0[7: 0]								0000000 0b



US2CON1	C5H	USCI2 control register 1	US2CON1[7: 0]	0000000 0b
US2CON2	C6H	USCI2 control register 2	US2CON2[7: 0]	0000000 0b
US2CON3	C7H	USCI2 control register 3	US2CON3[7: 0]	0000000 0b

The specific configuration method is as follows:

**OTCON (8FH) Output Control Register (read/write)**

Bit number	7	6	5	4	3	2	1	0
Bit Mnemonic	USMD1[1: 0]		USMD0[1: 0]		-	-	-	-
R/W	R/W	R/W	R/W	R/W	-	-	-	-
POR	0	0	0	0	x	x	x	x

Bit number	Bit Mnemonic	Description
7~6	<b>USMD1[1: 0]</b>	<b>USCI1 Communication mode control bit</b> 00: USCI1 close 01: USCI1 Set to SPI communication mode; 10: USCI1 Set to TWI communication mode; 11: USCI1 Set to UART communication mode;
5~4	<b>USMD0[1: 0]</b>	<b>USCI0 Communication mode control bit</b> 00: USCI0 close; 01: USCI0 Set to SPI communication mode; 10: USCI0 Set to TWI communication mode;





		11: USCI0 Set to UART communication mode;
--	--	---

**TMCON (8EH) Timer Frequency Control Register (read/write)**

Bit number	7	6	5	4	3	2	1	0
Bit Mnemonic	USMD2[1: 0]		-	-	-	-	T1FD	T0FD
R/W	R/W	R/W	-	-	-	-	R/W	R/W
POR	0	0	x	x	x	x	0	0

Bit number	Bit Mnemonic	Description
7~6	<b>USMD2[1: 0]</b>	<b>USCI2 Communication mode control bit</b> 00: USCI2 close 01: USCI2 set to SPI communication mode; 10: USCI2 set to TWI communication mode; 11: USCI2 set to UART communication mode;

**Note:**

A USCI interface can be set to different communication modes by USMD, each of which has a corresponding operation register group. The control register groups in different communication modes share the same mapped address, but the operations among the groups are independent. Setting the control register in one communication mode does not affect the values in the register groups in other communication modes.

**For example:**

- Set USMD1 = 01, set USCI0 as SPI communication interface, in this mode set US0CON0 (95H) = 0x80H;
- Then set USMD1 = 11, set USCI0 as the UART communication interface, set US0CON0 (95H) = 0x0FH;
- Then set USMD1 = 01, set USCI0 back to SPI communication interface, read US0CON0 (95H) in this mode, should be 0x80H;



- Then set USMD1 =11, set USCIO back to the UART communication interface, and US0CON0 (95H) is read in this mode, which should be 0x0FH.

## 16.1 SPI

Serial Peripheral Device Interface (SPI for short) is a high-speed serial communication interface that allows the MCU to perform full-duplex, synchronous serial communication with peripheral devices (including other MCUs).

The SPI interface of USCIO has 16-bit 8-level FIFO cache and is independent of sending and receiving, that is, users can achieve:

- Write up to 8 bits or less 16-bit data sequentially to SPI send caches (US0CON2, US0CON3). When the SPI sends data, the first data written is also sent first. When the data written into the FIFO by the user is sent, the null flag TXE of the sending buffer is set to 1. If the DATA in THE FIFO is full, the write conflict flag bit WCOL is set, and the user cannot write data to the FIFO until the data in the FIFO is sent out and the FIFO is not satisfied. The interrupt flag SPIF is raised when all data in the FIFO is sent.
- The SPI receive cache (US0CON2, US0CON3) continuously reads 8 or less 16-bit received data, and the first received data is also read first.

BIT \ Contrast	USCI1/2 SPI	USCIO SPI
TXE	The send buffer is empty, set 1	Set to 1 when data written to the FIFO is sent
WCOL	When a frame is being sent, rewrites are set to 1 and cannot write	If the FIFO is filled, set it to 1, and can't write the FIFO
SPIF	Send complete, interrupt flag set up	The interrupt flag is not raised until all data in the FIFO is sent

The three SPI port of SC95F857X SPI0/1/2 all can set to master mode or slave mode.

### 16.1.1 SPI0/1/2

USMDn[1:0] = 01 (n=1,2), USCIO is configured as SPI interface, that is SPI0/1/2:

- USTXn acts as MOSI signal
- USRXn acts as MISO signal
- USCKn acts as CLK signal

SPI0/1/2 can be set to either master mode or slave mode.

#### 16.1.1.1 SPI0/1/2 Operation Related Registers

##### US0CON0 (95H) SPI0 control register (read/write)



US1CON0 (A4H) SPI1 control register (read/write)

US2CON0 (C4H) SPI2 control register (read/write)

Bit number	7	6	5	4	3	2	1	0
Bit Mnemonic	SPEN	-	MSTR	CPOL	CPHA	SPR2	SPR1	SPR0
R/W	R/W	-	R/W	R/W	R/W	R/W	R/W	R/W
POR	0	x	0	0	0	0	0	0

Bit number	Bit Mnemonic	Description
7	<b>SPEN</b>	<b>SPI Enable control bit</b> 0: close SPI 1: open SPI
5	<b>MSTR</b>	<b>SPI master-slave selection bit</b> 0: SPI is slave device 1: SPI is master device
4	<b>CPOL</b>	<b>Clock polarity control bit</b> 0: SCK is low in idle state 1: SCK is high in idle state
3	<b>CPHA</b>	<b>Clock phase control bit</b> 0: Collect data on the first edge of the SCK cycle 1: Collect data on the second edge of the SCK cycle
2~0	<b>SPR[2: 0]</b>	<b>SPI Clock rate selection bit</b> 000: fsys



		001: fsys/2 010: fsys/4 011: fsys/8 100: fsys/16 101: fsys/32 110: fsys/64 111: fsys/128
1	-	Reserved

Preliminary



US0CON1 (9DH) SPI0 Status Register (read/write)

US1CON1 (A5H) SPI1 Status Register (read/write)

US2CON1 (C5H) SPI2 Status Register (read/write)

Bit number	7	6	5	4	3	2	1	0
Bit Mnemonic	SPIF	WCOL	-	-	TXE	DORD	SPMD	TBIE
R/W	R/W	R/W	-	-	R/W	R/W	R/W	R/W
POR	0	0	x	x	0	0	0	0

Bit number	Bit Mnemonic	Description
7	<b>SPIF</b>	<b>SPI data transmission flag</b> 0: Cleared by software 1: Indicates that data transmission has been completed, set by hardware
6	<b>WCOL</b>	<b>Write conflict flag</b> 0: Cleared by software, indicating that the write conflict has been processed 1: Set by hardware to indicate that a conflict is detected  Transmission direction selection bit
3	<b>TXE</b>	<b>Send cache null flag</b> 0: The send cache is not empty 1: The send cache is empty and must be cleared by the software.
2	<b>DORD</b>	<b>Transmission direction selection bit</b> 0: MSB first sent



		1: LSB first sent
1	<b>SPMD</b>	<b>SPI transmission mode selection:</b>  0: 8-bit mode  1: 16-bit mode
	<b>TBIE</b>	<b>Interrupt enable bit when the send cache is empty:</b>  0: When TXE=1, interrupts are not allowed  1: When TXE=1, SPI interrupt is generated
5~4	-	Reserved

**SPDL****US0CON2 (9EH) SPI0 Data register low byte (read/write)****US1CON2 (A6H) SPI1 Data register low byte (read/write)****US2CON2 (C6H) SPI2 Data register low byte (read/write)**

Bit number	7	6	5	4	3	2	1	0
Bit Mnemonic	SPD[7: 0]							
R/W	R/W	R/W	R/W	R/W	R/W	R/W	R/W	R/W
POR	0	0	0	0	0	0	0	0

Bit number	Bit Mnemonic	Description
7~0	<b>SPD[7: 0]</b>	<b>SPI data buffer register low byte (8/16 bit mode)</b>  Write lower bytes of data register SPD  Read upper bytes of data register SPD

**SPDH**

US0CON3 (9FH) SPI0 Data register high byte (read/write)

US1CON3 (A7H) SPI1 Data register high byte (read/write)

US2CON3 (C7H) SPI2 Data register high byte (read/write)

Bit number	7	6	5	4	3	2	1	0
Bit Mnemonic	SPD[15:8]							
R/W	R/W	R/W	R/W	R/W	R/W	R/W	R/W	R/W
POR	0	0	0	0	0	0	0	0

Bit number	Bit Mnemonic	Description
7~0	<b>SPD [15:8]</b>	<p><b>SPI data buffer register high byte (only for 16-bit mode)</b></p> <p>Write lower bytes of data register SPD</p> <p>Read upper bytes of data register SPD</p> <p>Note: When SPI is set to 16-bit mode, you must write the high byte first, then write the low byte, and start sending data into cache immediately after the low byte is written</p>

**16.1.1.2 SPI0/1/2 Signal Description****Master-Out/Slave-In (MOSI):**

This signal connects the master device and a slave device. Data is serially transmitted from the master device to the slave device through MOSI, the master device outputs, and the slave device inputs.

**Master-In and Slave-Out (MISO):**

This signal connects the slave device and the master device. Data is serially transmitted from the slave device to the master device through MISO, the slave device is output, and the master device is input. When the SPI is configured as a slave device and not selected, the MISO pin of the slave device is in a high impedance state.

**SPI Serial Clock (SCK):**



The SCK signal is used to control the synchronous movement of input and output data on the MOSI and MISO lines. A byte is transmitted on the wire every 8 clock cycles. If the slave is not selected, the SCK signal is ignored by the slave.

### 16.1.1.3 SPI0/1/2 Operating Modes

SPI can be configured as one of master mode or slave mode. The configuration and initialization of the SPI module are completed by setting the SPI control register USnCON0 (n=0~2) and the SPI status register USnCON1. After the configuration is completed, the data transfer is completed by setting the SPI data registers USnCON2, USnCON3 (hereinafter referred to as SPD).

During SPI communication, data is shifted in and out serially synchronously. The serial clock line (SCK) keeps the movement and sampling of data on the two serial data lines (MOSI and MISO) synchronized. If the slave is not selected, it cannot participate in activities on the SPI bus.

When the SPI master device transmits data to the slave device through the MOSI line, the slave device sends the data to the master device as a response via the MISO line, which realizes the synchronous full-duplex transmission of data sending and receiving under the same clock. The sending shift register and the receiving shift register use the same special function address. Writing to the SPI data register SPD will write to the sending shift register, and reading the SPD will get the data of the receiving shift register.

The SPI interface of some devices will lead to the SS pin (slave device selection pin, active low). When communicating with the SPI of the SC95F857X, the connection mode of the SS pin of other devices on the SPI bus needs to be connected according to different communication modes. The following table lists the connection modes of the SS pin of other devices on the SPI bus in different SPI communication modes of the SC95F857X:

SC95F857X SPI	Other devices on the SPI bus	Mode	Slave SS (Slave selection pin)
Master mode	Slave mode	One master and one slave	Pull down
		One master and multiple slaves	The SC95F857X leads to multiple I/Os, which are connected to the SS pin of the slave. Before data transmission, the SS pin of the slave device must be set low
Slave mode	Master mode	One master and one slave	Pull up

### SPI0/1/2 Master Mode

- **SPI0/1/2 Master Mode Startup:**

The SPI master device controls the start of all data transfers on the SPI bus. When the MSTR bit in the SPI control register USnCON0 is set to 1, the SPI runs in the master mode and only one master device can start the transfer.

- **SPI0/1/2 Master Mode Transmitting:**





In SPI master mode, perform the following operations on SPD: write a byte of data to SPDL in 8-bit mode or write the high byte to SPDH first, and then write the low byte to SPDL in 16-bit mode, the data will be written to the transmit shift buffer. If there is already a data in the transmit shift register, the main SPI generates a WCOL signal to indicate that the write is too fast. But the data in the transmission shift register will not be affected, and the transmission will not be interrupted. In addition, if the transmission shift register is empty, the master device immediately shifts the data in the transmission shift register to the MOSI line in accordance with the SPI clock frequency on SCK. When the transfer is complete, the data transmission complete flag SPIF will be set to 1. If the SPI interrupt is enabled, an interrupt will also be generated when the SPIF bit is set.

- **SPI0/1/2 Master Mode Receiving:**

When the master device transmits data to the slave device through the MOSI line, the corresponding slave device also transmits the contents of its transmitting shift register to the receiving shift register of the master device through the MISO line, realizing full-duplex operation. Therefore, the SPIF flag set 1 means that the transmission is complete and the data is received. The data received by the slave device is stored in the receive shift register of the master device according to the MSB or LSB first transmission direction. When a byte of data is completely moved into the receive register, the processor can obtain the data by reading the SPD.

#### **Slave mode**

- **Mode Startup:**

When the MSTR bit in the SPI control register USnCON0 register is cleared to 0, SPI runs in slave mode.

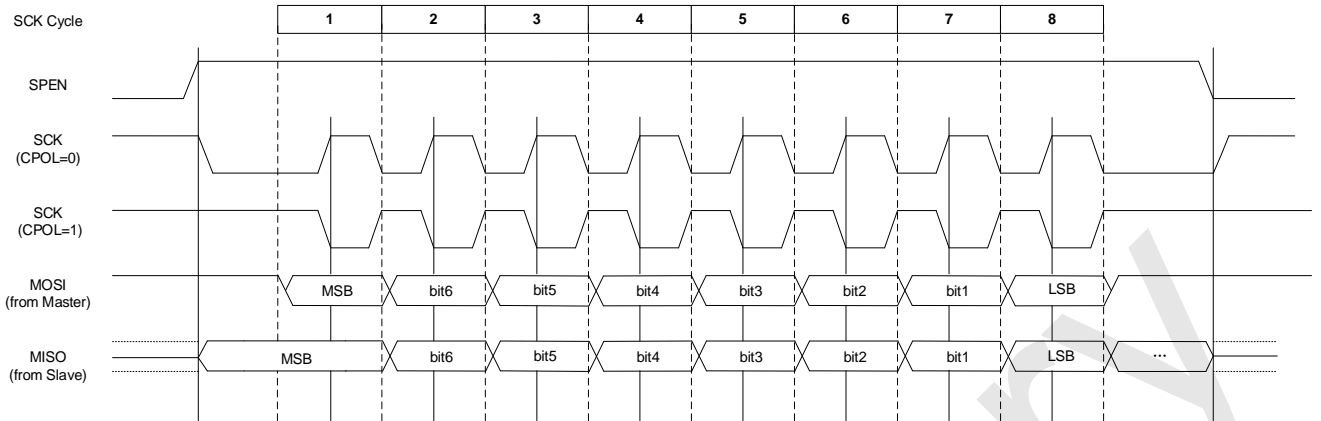
- **Transmitting and Receiving :**

In slave mode, according to the SCK signal controlled by the master device, data is shifted in through the MOSI pin, and the MISO pin is shifted out. A bit counter records the number of edges of SCK. When the receiving shift register shifts in 8-bit data (one byte) and the sending shift register shifts out 8-bit data (one byte), the SPIF bit is set to 1. The data can be obtained by reading the SPD register. If the SPI interrupt is enabled, an interrupt will also be generated when SPIF is set. At this time, the receiving shift register keeps the original data and the SPIF bit is 1, so that the SPI slave device will not receive any data until SPIF is cleared. The SPI slave device must write the data to be transmitted into the transmit shift register before the master device starts a new data transmission. If no data is written before starting to send, the slave device will transmit the "0x00" byte to the master device. If the SPD write operation occurs during the transfer, the WCOL flag of the SPI slave device is set to 1, that is, if the transfer shift register already contains data. But the data of the shift register is not affected, and the transmission will not be interrupted.

#### **Transfer Form**

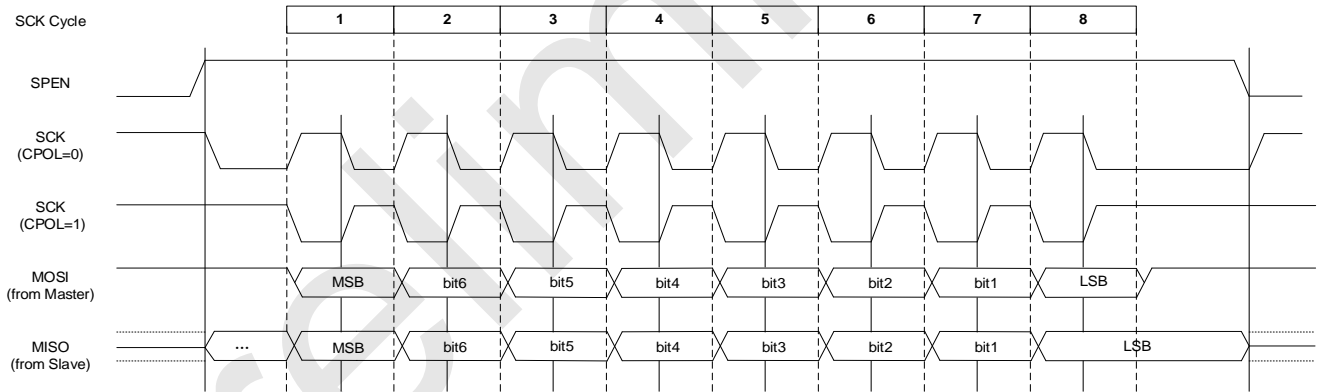
By software setting the CPOL bit and CPHA bit of the SPI control register USnCON0(n=1,2), the user can select four combinations of SPI clock polarity and phase. The CPOL bit defines the polarity of the clock, that is, the level state when idle, and it has little effect on the SPI transmission format. The CPHA bit defines the phase of the clock, that is, defines the clock edge that allows data sampling and shifting. In the two devices of master-slave communication, the setting of the clock polarity phase should be the same.

When CPHA = 0, the first edge of SCK captures data, and the slave must prepare the data before the first edge of SCK.



CPHA = 0 Data transfer diagram

When CPHA = 1, the master device outputs data to the MOSI line on the first edge of SCK, the slave device uses the first edge of SCK as the sending signal, and the second edge of SCK starts to capture data, So the user must write SPD inside two edges of the first SCK. This form of data transmission is the preferred form of communication between a master device and a slave device.



CPHA = 1 Data transfer diagram

### Error Detection

Writing to SPD during the data transmission sequence will cause a write conflict, and the WCOL bit in the SPI status register USnCON1 is set to 1. WCOL bit 1 will not cause interruption, and transmission will not be aborted. The WCOL bit needs to be cleared by software.

## 16.2 TWI

USMDn[1: 0] = 10, n=0~2 One of three serial interface USCI is configured as TWI interface:

- USTXn as SDA signal



- USCKn as CLK signal

The SC95F857X can be set as master or slave mode according to application requirements during TWI communication.

**US0CON0 (95H) TWI0 Control Register 0 (read/write)****US1CON0 (A4H) TWI1 Control Register 0 (read/write)****US2CON0 (C4H) TWI2 Control Register 0 (read/write)**

Bit number	7	6	5	4	3	2	1	0
Bit Mnemonic	TWEN	TWIF	MSTR	GCA	AA	STATE[2: 0]		
R/W	R/W	R/W	Read	Read	R/W	Read	Read	Read
POR	0	0	0	0	0	0	0	0

Bit number	Bit Mnemonic	Description
7	<b>TWEN</b>	TWI enable control 0: Disable TWI 1: Enable TWI
6	<b>TWIF</b>	TWI interrupt flag 1. Cleared by software 2. Under the following conditions, the interrupt flag bit is set by hardware: <b>1) Master mode:</b> <ol style="list-style-type: none"> <li>① Send start signal</li> <li>② After sending the address frame</li> <li>③ Receive or send the data frame</li> </ol>



		<p>2) <b>Slave mode:</b></p> <ul style="list-style-type: none"> <li>① The first frame address matches successfully</li> <li>② Successfully receive or send 8-bit data</li> <li>③ Receive repeated start condition</li> <li>④ The slave receives a stop signal</li> </ul>
5	<b>MSTR</b>	<p>Master-slave flag</p> <p>0: Slave mode</p> <p>1: Master mode</p> <p>Description:</p> <p>1. When the TWI interface sends a start condition to the bus, it will automatically switch to the master mode, and the hardware will set this bit at the same time;</p> <p>2. When a stop condition is detected on the bus, the hardware clears this bit.</p>
4	<b>GCA</b>	<p>General address response flag</p> <p>0: Non-response general address</p> <p>1: When GC is set to 1 and the general address matches at the same time, this bit is set to 1 by hardware and automatically clear</p>
3	<b>AA</b>	<p><b>Answer enable bit</b></p> <p><b>0: No response, return UACK</b> (the response bit is high)</p> <p><b>1: After receiving a matching address or data, a response ACK is returned</b></p>
2~0	<b>STATE[2: 0]</b>	<p>State machine status flag</p> <p><b>Slave mode:</b></p> <p>000: The slave is in the idle state, waiting for TWEN to be set to 1, and detecting the TWI start signal. When the slave receives the stop condition, the jump will go to this state</p> <p>001: The slave is receiving the first frame address and read/write bit (the 8th bit is the read/write bit, 1 is read, and 0 is write). The slave will jump to this state after receiving the start condition</p>



		<p>010: Slave receiving data status</p> <p>011: slave sending data status</p> <p>100: In the state of sending data from the slave, when the master returns to UACK, it jumps to this state and waits for a restart signal or a stop signal.</p> <p>101: When the slave is in the sending state, writing 0 to AA will enter this state, waiting for a restart signal or a stop signal.</p> <p>110: If the address of the slave does not match the address sent by the master, it will jump to this state and wait for a new start condition or stop condition.</p> <p><b>Master mode:</b></p> <p>000: The state machine is idle</p> <p>001: The Master sends the start condition or the Master is sending the slave device address</p> <p>010: Master sends data</p> <p>011: Master receives data</p> <p>100: The master sends a stop condition or receives a UACK signal from the slave</p>
--	--	---

**US0CON1 (9DH) TWI0 Control Register 1 (read/write)**

**US1CON1 (A5H) TWI1 Control Register 1 (read/write)**

**US2CON1 (C5H) TWI2 Control Register 1 (read/write)**

Bit number	7	6	5	4	3	2	1	0
Bit Mnemonic	TXnE/ RXnE	STRETCH	STA	STO	TWCK[3: 0]			
R/W	Read Only	R/W	R/W	R/W	R/W	R/W	R/W	R/W
POR	0	0	0	0	0	0	0	0



Bit number	Bit Mnemonic	Description
7	<b>TXnE/RXnE</b>	<p>Send/receive complete flag</p> <p>In the following situations, TXnE/RXnE is set to 1</p> <p>Master mode:</p> <ul style="list-style-type: none"> <li>① The Master sends an address frame (write) and receives an ACK from the slave</li> <li>② The master sends the data and receives the slave ACK</li> <li>③ The Master receives the data, and the Master returns an ACK to the slave</li> </ul> <p>Slave mode:</p> <ul style="list-style-type: none"> <li>① The slave receives the address frame (read), and it matches the slave address (TWA)</li> <li>② The slave receives the data, and the slave returns an ACK to the master</li> <li>③ The slave sends the data and receives the master ACK (AA=1)</li> </ul> <p>Reading and writing to TWIDAT will clear this flag.</p>
6	<b>STRETCH</b>	<p>Allow clock extension (slave mode)</p> <p>0: disable clock extension</p> <p>1: Allow clock extension, the Master needs to support the clock extension function</p> <p>Description: After the data transmission is completed, and ACK is 0, clock stretching occurs at this time</p>
5	<b>STA</b>	<p>Start bit</p> <p>Set "1" to generate start condition, TWI will switch to Master mode</p> <p>Software can set or clear this bit, or it can be cleared by hardware when the start condition is issued.</p>
4	<b>STO</b>	<p>Master mode stop bit</p>



		Set to "1" in the Master mode, a stop condition will be generated after the current byte is transmitted or the start condition is sent  Software can set or clear this bit, or it can be cleared by hardware when a stop condition is detected.
3~0	<b>TWCK[3: 0]</b>	TWI communication rate setting in Master mode:  0000: $f_{SYS}/1024$  0001: $f_{SYS}/512$  0010: $f_{SYS}/256$  0011: $f_{SYS}/128$  0100: $f_{SYS}/64$  0101: $f_{SYS}/32$  0110: $f_{SYS}/16$  Others: Reserved  <b>Note:</b>  1. The setting is invalid in slave mode. The maximum clock frequency is 400 kHz;  2. The clock source of TWI follow the System clock $f_{SYS}$
7	-	Reserved

US0CON2 (9EH) TWI0 Address Register (read/write)

US1CON2 (A6H) TWI1 Address Register (read/write)

US2CON2 (C6H) TWI2 Address Register (read/write)

Bit number	7	6	5	4	3	2	1	0
Bit Mnemonic	TWA[6: 0]							GC
R/W	R/W	R/W	R/W	R/W	R/W	R/W	R/W	R/W
POR	0	0	0	0	0	0	0	0



Bit number	Bit Mnemonic	Description
7~1	<b>TWA[6: 0]</b>	TWI address register  TWA[6: 0] cannot be written as all 0, 00H is dedicated to general address addressing. Invalid setting in Master mode
0	<b>GC</b>	TWI general address enable  0: Forbid to respond to general address 00H  1: Allow response to general address 00H

**US0CON3 (9FH) TWI0 Data Buffer Register (read/write)**

**US1CON3 (A7H) TWI1 Data Buffer Register (read/write)**

**US2CON3 (C7H) TWI2 Data Buffer Register (read/write)**

Bit number	7	6	5	4	3	2	1	0
Bit Mnemonic	TWDAT[7: 0]							
R/W	R/W	R/W	R/W	R/W	R/W	R/W	R/W	R/W
POR	0	0	0	0	0	0	0	0

Bit number	Bit Mnemonic	Description
7~0	<b>TWDAT[7: 0]</b>	TWI Data buffer register

### 16.2.1 Signal Description

#### TWI Clock Signal Line(SCL)





The clock signal is sent by the master and connected to all slaves. One byte of data is transmitted every 9 clock cycles. The first 8 cycles are used for data transmission, and the last clock is used as the receiver's response clock. It should be high when it is idle, pulled up by the pull-up resistor on the SCL line.

**TWI Data Signal Line(SDA)**

SDA is a bidirectional signal line, which should be high when it is idle, and is pulled high by the pull-up resistor on the SDA line.

**16.2.2 Slave Operating Mode**

● **Mode Start:**

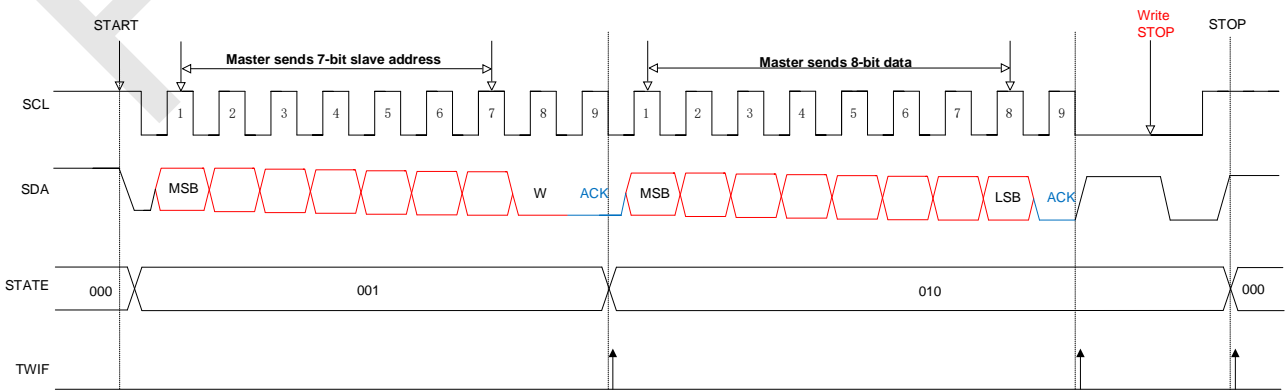
When the TWI enable flag is turned on (TWEN = 1) and the start signal sent by the Master is received at the same time, the mode is started.

The slave enters the state of receiving the first frame address (STATE[2: 0] = 001) from the idle mode (STATE[2: 0] = 000), and waits for the first frame of data from the master. The first frame of data is sent by the Master, including 7-bit address bits and 1 bit for reading and writing. All slaves on the TWI bus will receive the first frame of data from the Master. The Master releases the SDA signal line after sending the first frame of data. If the address sent by the Master is the same as the value in a slave's own address register, it means that the slave is selected. The selected slave will judge the 8th bit on the bus, that is, the data read and write bit (=1, read command) ;=0, write command), then occupy the SDA signal line, give the Master a low-level response signal in the 9th clock cycle of SCL, and then release the bus. After the slave is selected, it will enter different states according to the different read and write bits:

● **Non-general Address Response, Slave Device Receiving Mode:**

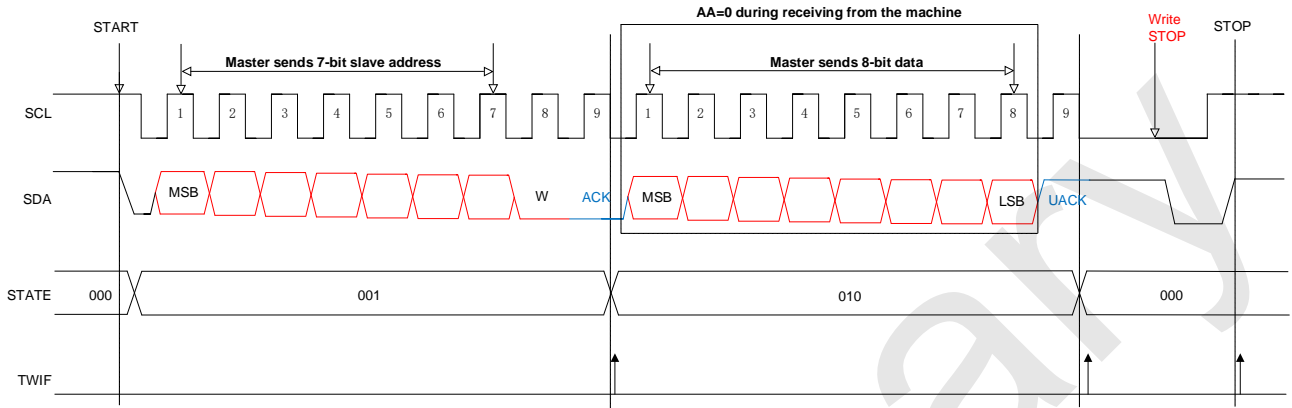
If the read/write bit received in the first frame is write (0), the slave enters the slave receiving state (STATE[2: 0] = 010) and waits for the data sent by the Master. The master must release the bus every time it sends 8 bits and wait for the response signal from the slave in the 9th cycle.

1. If the response signal of the slave is low, the communication of the master can be in the following three ways:
  - 1) Continue to send data;
  - 2) Resend the start signal (start), at this time the slave re-enters the state of receiving the first frame address (STATE[2: 0] = 001);
  - 3) Send a stop signal to indicate the end of this transmission, and the slave returns to the idle state, waiting for the next start signal from the Master.





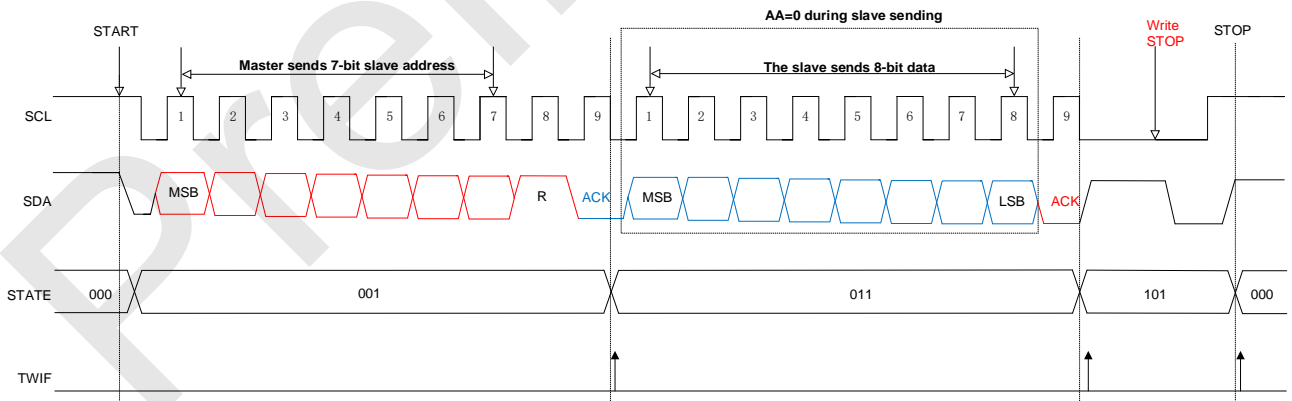
- If the slave responds to a high level (during the receiving process, the AA value in the slave register is rewritten to 0), it means that after the current byte is transmitted, the slave will actively end the transmission and return to the idle state ( STATE[2: 0] = 000), no longer receive data from the Master.



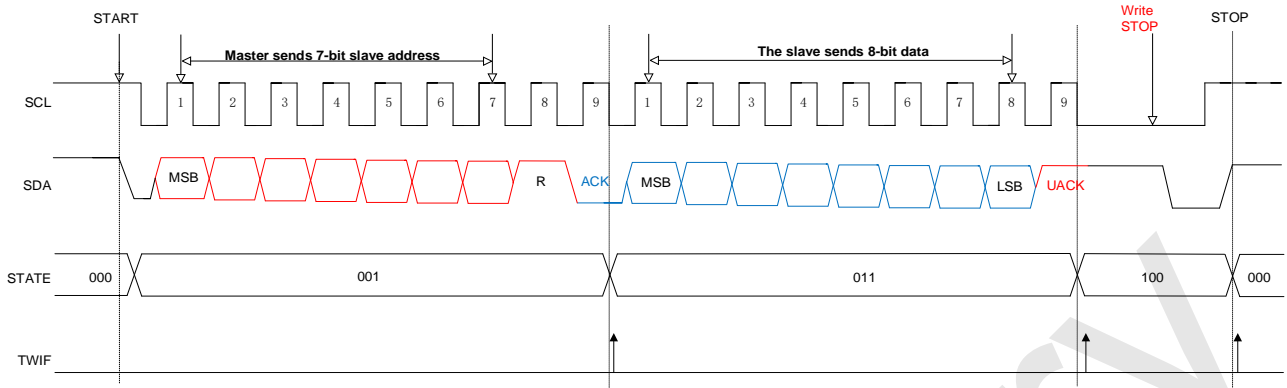
- Non-general Address Response, Slave Device Transmitting Mode:**

If the read/write bit received in the first frame is read (1), the slave will occupy the bus and send data to the Master. Every time 8 bits of data are sent, the slave releases the bus and waits for the response from the master:

- If the master responds with a low level, the slave continues to send data. In the process of sending, if the AA value in the slave register is rewritten to 0, the slave will actively end the transmission and release the bus after the current byte is transmitted, and wait for the stop signal or restart signal of the master (STATE[2: 0] = 101).



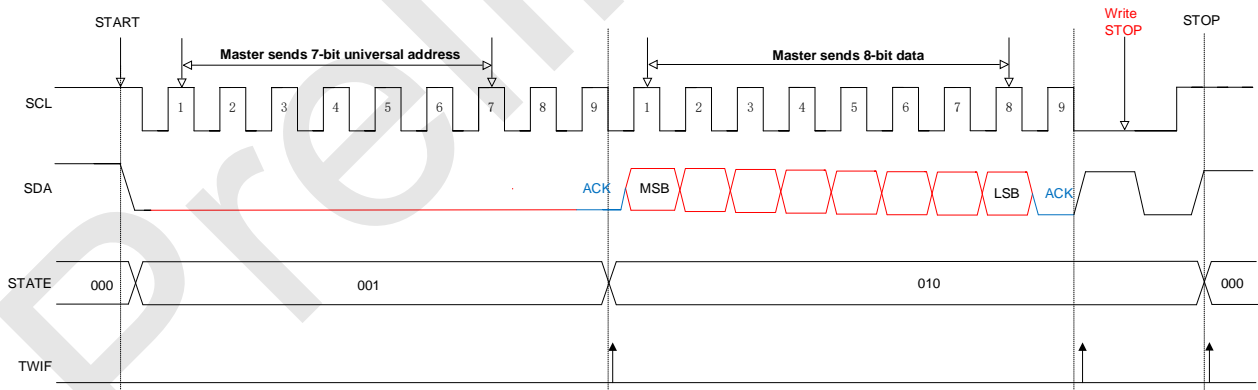
- If the master responds to a high level, the slave STATE[2: 0] = 100, waiting for the master's stop signal or restart signal.



● General Address Response:

When GC=1, the general address is allowed to be used at this time. The slave enters the state of receiving the first frame address (STATE[2: 0] = 001), the address bit data in the first frame of data received is 0x00, and all slaves respond to the master at this time. The read and write bits sent by the master must be write (0), and all slaves enter the state of receiving data (STATE[2: 0] = 010) after receiving. The Master releases the SDA line every time 8 data is sent, and reads the status on the SDA line:

1. If there is a response from the slave, the communication of the master can be in the following three ways:
  - 1) Continue to send data;
  - 2) Restart;
  - 3) Send a stop signal to end this communication.



2. If no slave responds, SDA is idle.

**Note:** When using the universal address in the one-master multiple-slave mode, the read and write bits sent by the Master cannot be in the read (1) state, otherwise, all devices on the bus will respond except for the device sending the data.

16.2.3 Slave Mode Operation Steps



1. Configure USMDn[1: 0] and select TWI mode;
2. Configure the TWIn control registers USnCON0 and USnCON1;
3. Configure the TWI address register USnCON2;
4. If the slave receives data, it waits for the interrupt flag bit TWIF in USnCON0 to be set. Every time the slave receives 8 bits of data, TWIF will be set to 1. The interrupt flag bit TWIF needs to be manually cleared;
5. If the slave sends data, write the data to be sent into TWDAT, and TWI will automatically send the data. Every 8 bits are sent, the interrupt flag bit TWIF will be set.

### 16.2.4 Master operating Mode

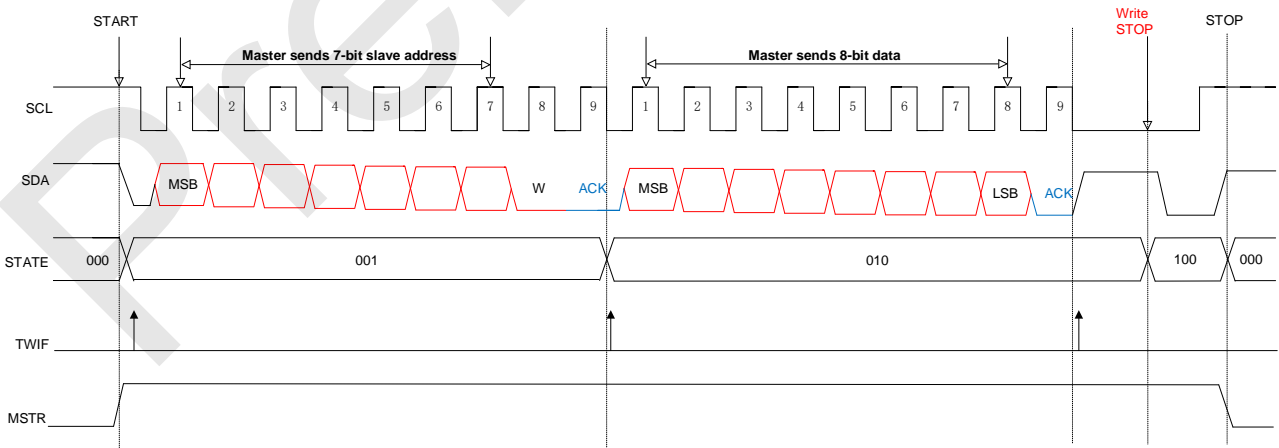
● **Mode startup:**

When the TWI interface sends an initial condition to the bus, it will automatically switch to the main mode, and the hardware will set the MSTR bit to 1. The Master state bit STATE[2: 0] switches from 000 to 001, and the interrupt condition TWIF is set to 1.

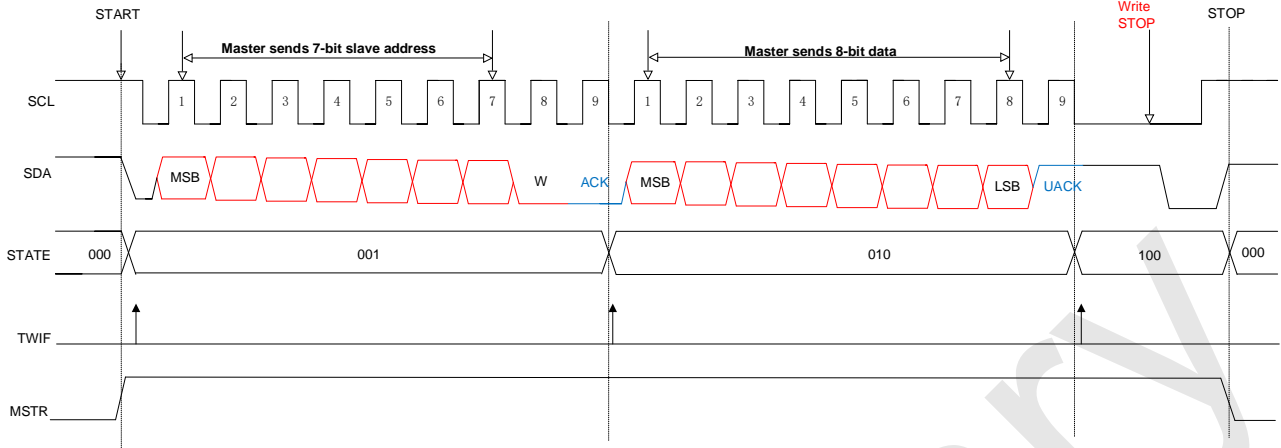
● **TWI Master sending mode:**

In the master sending mode, the first frame of data sent by the master includes 7 address bits (selected slave address) and 1 read/write bit (=0, write command). All slaves on the TWI bus will receive the master The first frame of data. The Master releases the SDA signal line after sending the first frame of data. The selected slave sends a response signal to the master in the 9th clock cycle of SCL, and then releases the bus and enters the slave receiving state to wait for the data sent by the master. The master must release the bus every time it sends 8 bits and wait for the response signal from the slave in the 9th cycle.

1. If the slave responds low, the master can continue to send data. You can also resend the start signal:



2. If the slave responds to a high level, it means that after the current byte has been transmitted, the slave will actively end this transmission and will no longer receive the data sent by the master. The master STATE[2: 0] will switch from the sending data state 010 to 100:

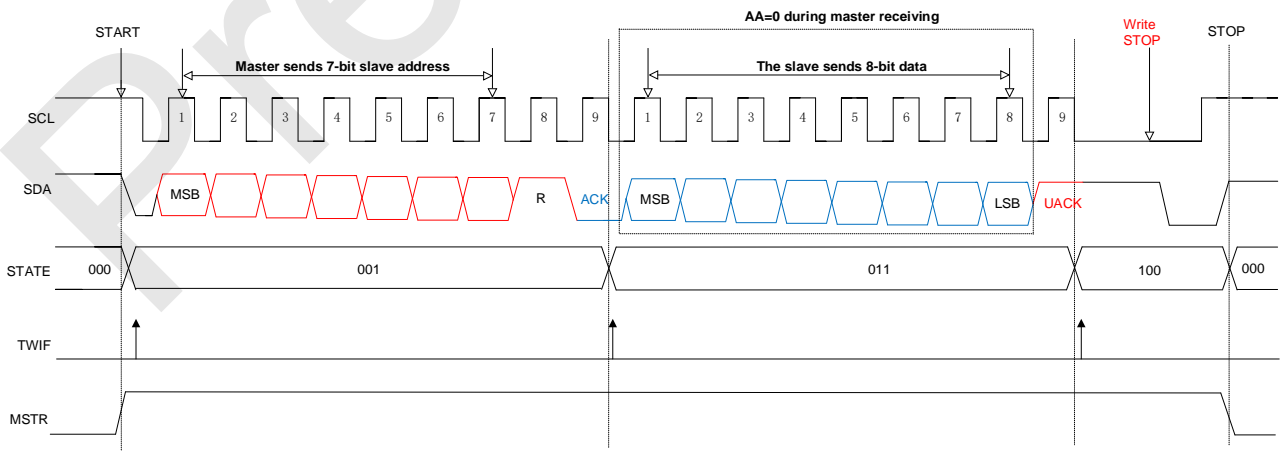


● TWI Master Receiving Mode:

In the master sending mode, the first frame of data sent by the master includes a 7-bit address bit (selected slave address) and a 1-bit read and write bit (=1, read command). All slaves on the TWI bus will receive the first frame of data to the Master. The Master releases the SDA signal line after sending the first frame of data. The selected slave sends an acknowledge signal to the master in the 9th clock cycle of SCL, and then will occupy the bus and send data to the master. Every time 8 bits of data are sent, the slave releases the bus and waits for the response from the master. The Master receives the response signal ACK after the slave address is successfully matched, and starts to receive the slave data (STATE=011):

1. If the Master response bit is enabled (AA=1), every time a BYTE data is received, the Master responds with the response signal ACK, and TWIF is set;
2. Before receiving the last byte of data, if the response enable bit is turned off (AA=0), the Master will reply UACK after receiving the last byte of data, and then the Master can send a stop signal.

In the Master receiving mode, the way to actively release the bus is as follows:



16.2.5 Master Mode Operation Steps

1. Configure USMDn[1: 0] and select TWI mode;



2. Configure the TWIn control register USnCON0: TWEN = 1, enable TWI
3. Configure the TWIn control register USnCON1: configure the TWI communication rate (TWCK[3: 0]), set the start bit STA to "1"
4. Configure TWIn address register USnCON3: write "slave address plus read and write bits" into TWDAT, and send out an address frame on the bus
5. If the Master receives data, it waits for the interrupt flag bit TWIF in USnCON0 to be set 1. When the Master receives 8 bits of data, the interrupt flag bit will be set. The interrupt flag bit needs to be manually cleared;
6. If the Master sends data, write the data to be sent into TWDAT, and TWI will automatically send the data. Every 8 bits are sent, the interrupt flag bit TWIF will be set 1.
7. After the data is sent and received, the Master can send a stop condition (STO=1), and the Master state switches to 000. Or send a repeated start signal to start a new round of data transmission.

The TWIF of the Master will not be set after the Master generates a stop!



### 16.3 Serial Interface (UART)

USMDn [1: 0] = 11, n=0~2 one of three serial interface USCI is configured as UART interface. It can be easily used to connect with other devices or equipment, such as Wifi module circuit or other UART communication interface driver chip. Its functions and characteristics are as follows:

1. Three communication modes are available: mode 0, mode 1 and mode 3;
2. Independent baud rate generator;
3. The interrupt RI/TI can be generated after sending and receiving, and the interrupt flag needs to be cleared by software, the clearing mode is "Write 1 clear".

When USCI is configured as UART interface:

- USTXn as TX signal
- USRXn as RX signal

**US0CON0 (95H) Serial Port 1 Control Register (read/write)**

**US1CON0 (A4H) Serial Port 2 Control Register (read/write)**

**US2CON0 (C4H) Serial Port 3 Control Register (read/write)**

Bit number	7	6	5	4	3	2	1	0
Bit Mnemonic	SM0	SM1	SM2	REN	TB8	RB8	TI	RI
R/W	R/W	R/W	R/W	R/W	R/W	R/W	R/ Write 1 clear	R/ Write 1 clear
POR	0	0	0	0	0	0	0	0

Bit number	Bit Mnemonic	Description
7~6	<b>SM0~1</b>	Serial communication mode control bit  00: Mode 0, 8-bit half-duplex synchronous communication mode, serial data is sent and received on the RX pin. The TX pin is used as the transmit shift clock. 8 bits are sent and received per frame, and the lower bits are received or sent first;



		<p>01: Mode 1, 10-bit full-duplex asynchronous communication, composed of 1 start bit, 8 data bits and 1 stop bit, and the communication baud rate is variable;</p> <p>10: Reserved;</p> <p>11: Mode 3, 11-bit full-duplex asynchronous communication, composed of 1 start bit, 8 data bits, a programmable 9th bit and 1 stop bit, and the communication baud rate is variable.</p>
5	<b>SM2</b>	<p>Serial communication mode control bit 2, this control bit is only valid for mode 3</p> <p>0: Set RI every time a complete data frame is received to generate an interrupt request;</p> <p>1: When a complete data frame is received, RI will be set to generate an interrupt request only when RB8=1.</p> <p><b>Baud rate multiplier setting bit, only valid in mode 0 (SM0~1 = 00):</b></p> <p>0: The serial port runs at 1/12 of the system clock</p> <p>1: The serial port runs at 1/4 of the system clock</p>
4	<b>REN</b>	<p>Receive permission control bit</p> <p>0: It is not allowed to receive data;</p> <p>1: Allow to receive data.</p>
3	<b>TB8</b>	Only valid for mode 3, which is the 9th bit of the transmitted data
2	<b>RB8</b>	Only valid for mode 3, which is the 9th bit of the received data
1	<b>TI</b>	Send interrupt flag
0	<b>RI</b>	Receive interrupt flag

US0CON1 (9DH) Serial Port 1 Baud Rate Control Register Low Bit (read/write)

US1CON1 (A5H) Serial Port 2 Baud Rate Control Register Low Bit (read/write)

US2CON1 (C5H) Serial Port 3 Baud Rate Control Register Low Bit (read/write)





Bit number	7	6	5	4	3	2	1	0
Symbol	BAUDL [7: 0]							
Read/ Write	Read/ Write	Read/ Write	Read/ Write	Read/ Write	Read/ Write	Read/ Write	Read/ Write	Read/ Write
Initial power-on value	0	0	0	0	0	0	0	0

**US0CON2 (9EH) Serial Port 1 Baud Rate Control Register High Bit (read/write)**

**US1CON2 (A6H) Serial Port 2 Baud Rate Control Register High Bit (read/write)**

**US2CON2 (C6H) Serial Port 3 Baud Rate Control Register High Bit (read/write)**

Bit number	7	6	5	4	3	2	1	0
Symbol	BAUDH [7: 0]							
Read/ Write	Read/ Write	Read/ Write	Read/ Write	Read/ Write	Read/ Write	Read/ Write	Read/ Write	Read/ Write
Initial power-on value	0	0	0	0	0	0	0	0

Bit number	Bit Mnemonic	Description
7~0	<b>BAUD1 [15: 0]</b>	<b>USCI Serial port baud rate control</b>  $\text{BaudRate} = \frac{\text{fsys}}{[\text{BAUDH}, \text{BAUDL}]}$



		Note: [BAUDH,BAUDL] must be greater than 0x0010
--	--	---

**US0CON3 (9FH) Serial 1 Data Buffer Register (read/write)**

**US1CON3 (A7H) Serial 2 Data Buffer Register (read/write)**

**US2CON3 (C7H) Serial 3 Data Buffer Register (read/write)**

Bit number	7	6	5	4	3	2	1	0
Bit Mnemonic	SBUF[7: 0]							
R/W	R/W	R/W	R/W	R/W	R/W	R/W	R/W	R/W
POR	0	0	0	0	0	0	0	0

Bit number	Bit Mnemonic	Description
7~0	<b>SBUF[7: 0]</b>	<p><b>Serial Data Buffer Register</b></p> <p>SBUF contains two registers: a sending shift register and a receiving latch. The data written in SBUF will be sent to the sending shift register and the sending process will be started. Reading SBUF will return the contents of the receiving latch.</p>



## 17 High-speed Analog-to-Digital Converter (ADC)

The SC95F857X integrates 13 channels of 12-bit high-precision 1M high-speed ADC, and the external 12 channels of ADC and other functions of the IO port are multiplexed. The internal channel can be connected to 1/4 VDD, and the internal 2.048V, 1.024V or 2.4V reference voltage is used for Measure the VDD voltage. 1 MHz super-high-speed sampling clock, the total time from sampling to completion of conversion is as low as 2 $\mu$ s

There are 4 choices for the ADC reference voltage of SC95F857X:

- ① VDD pin (that is directly the internal VDD);
- ② The reference voltage output by the internal Regulator is accurately 2.048V.
- ③ The reference voltage output by the internal Regulator is exactly 1.024V.
- ④ The reference voltage output by the internal Regulator is exactly 2.4V.

### 17.1 ADC-related Registers

#### ADCCON (ADH) ADC Control Register (read/write)

Bit number	7	6	5	4	3	2	1	0
Bit Mnemonic	ADCEN	ADCS	EOC/ADCIF	ADCIS[4: 0]				
R/W	R/W	R/W	R/W	R/W	R/W	R/W	R/W	R/W
POR	0	0	0	0	0	0	0	n

Bit number	Bit Mnemonic	Description
7	<b>ADCEN</b>	Power on ADC 0: Disable the ADC module power 1: Enable the ADC module power
6	<b>ADCS</b>	ADC start trigger control (ADC Start)



		<p>Write "1" to this bit to start ADC conversion, that is, this bit is only the trigger signal of ADC conversion. This bit can only be written with 1 to be valid.</p> <p><b>Note: After writing "1" to the ADCS, do not write to the ADCCON register until the interrupt flag EOC/ADCIF is set.</b></p>
5	<b>EOC /ADCIF</b>	<p>Conversion complete/ADC Interrupt Flag (End Of Conversion / ADC Interrupt Flag)</p> <p>0: ADC conversion has not been completed</p> <p>1: ADC conversion is complete. Need user software to clear</p> <p>ADC conversion complete flag EOC: when the user sets ADCS to start conversion, this bit will be automatically cleared to 0 by the hardware; when the conversion is completed, this bit will be automatically set to 1 by the hardware;</p> <p>ADC interrupt request flag ADCIF:</p> <p>This bit is also used as an interrupt request flag for ADC interrupt. If the user enables the ADC interrupt, the user must clear this bit by software after the ADC interrupt occurs.</p>
4~0	<b>ADCIS[4: 0]</b>	<p>ADC Input Selector (ADC Input Selector)</p> <p>00000: select AIN0 as ADC input</p> <p>00001: select AIN1 as ADC input</p> <p>00010: select AIN2 as ADC input</p> <p>00011: select AIN3 as ADC input</p> <p>00100: select AIN4 as ADC input</p> <p>00101: select AIN5 as ADC input</p> <p>00110: select AIN6 as ADC input</p> <p>00111: select AIN7 as ADC input</p> <p>01000: select AIN8 as ADC input</p> <p>01001: select AIN9 as ADC input</p> <p>01010: select AIN10 as ADC input</p> <p>01011: select AIN11 as ADC input</p> <p>01100~11110: reserved</p>



		11111: ADC input is 1/4 V <sub>DD</sub> , which can be used to measure power supply voltage
--	--	---

**ADCCFG2 (B5H) ADC Set Register 2 (read/write)**

Bit number	7	6	5	4	3	2	1	0
Bit Mnemonic	-	-	-	LOWSP[2: 0]			-	-
R/W	-	-	-	R/W	R/W	R/W	-	-
POR	x	x	x	0	0	0	x	x

Bit number	Bit Mnemonic	Description
4~2	<b>LOWSP[2: 0]</b>	<p>ADC sampling period selection:</p> <p>100: The sampling time is 3 ADC sampling clocks, (about 100ns @F<sub>sys</sub> = 32 MHz)</p> <p>101: The sampling time is about 6 ADC sampling clocks, (about 200ns @F<sub>sys</sub> = 32 MHz)</p> <p>110: The sampling time is about 16 ADC sampling clocks, (about 500ns @ F<sub>sys</sub> = 32 MHz)</p> <p>111: The sampling time is about 32 ADC sampling clocks, (about 1000ns @ F<sub>sys</sub> = 32 MHz)</p> <p>Description:</p> <ol style="list-style-type: none"> <li>1. ADC sampling clock frequency F<sub>adc</sub> = F<sub>sys</sub></li> <li>2. The total time from ADC sampling to completion of conversion T<sub>ADC</sub> = sampling time + conversion time</li> </ol> <p>The ADC conversion time is fixed at 950ns.</p>
7~5, 1~0	-	Reserved

**ADCCFG0 (ABH) ADC Set Register 0 (read/write)**

Bit number	7	6	5	4	3	2	1	0
Bit Mnemonic	EAIN7	EAIN6	EAIN5	EAIN4	EAIN3	EAIN2	EAIN1	EAIN0
R/W	R/W	R/W	R/W	R/W	R/W	R/W	R/W	R/W
POR	0	0	0	0	0	0	0	0

**ADCCFG1 (ACH) ADC Set Register 1 (read/write)**

Bit number	7	6	5	4	3	2	1	0
Bit Mnemonic	-	-	-	-	EAIN11	EAIN10	EAIN9	EAIN8
R/W	-	-	-	-	R/W	R/W	R/W	R/W
POR	x	x	x	x	0	0	0	0

Bit number	Bit Mnemonic	Description
0	<b>EAINx</b> <b>(x=0~11)</b>	<b>ADC port setting register</b> 0: Set AINx as IO port 1: Set AINx as ADC input and automatically remove the pull-up resistor.

**OP\_CTM1 (C2H@FFH) Code Option Register 1(read/write)**

Bit number	7	6	5	4	3	2	1	0
Bit Mnemonic	VREFS[1: 0]		OP_BL	DISJTG	IAPS[1: 0]		LDSIZE[1:0]	
R/W	R/W	R/W	R/W	R/W	R/W	R/W	Read only	
POR	n	n	n	n	n	n	n	n

Bit number	Bit Mnemonic	Description
7~6	VREFS[1: 0]	<b>Reference voltage selection (the initial value is transferred from Customer Option, the user can modify the setting)</b> 00: Set VREF of ADC to VDD; 01: Set the VREF of ADC to the internal accurate 2.048V; 10: Set the VREF of ADC to the internal accurate 1.024V; 11: Set the VREF of ADC to the internal accurate 2.4V;

**ADCVL (AEH) ADC Conversion Value Register (low bit) (read/write)**

Bit number	7	6	5	4	3	2	1	0
Bit Mnemonic	ADCV[3: 0]				-	-	-	-
R/W	R/W	R/W	R/W	R/W	-	-	-	-
POR	0	0	0	0	x	x	x	x

**ADCVH (AFH) ADC Conversion Value Register (high bit) (read/write)**



Bit number	7	6	5	4	3	2	1	0
Bit Mnemonic	ADCV[11: 4]							
R/W	R/W	R/W	R/W	R/W	R/W	R/W	R/W	R/W
POR	0	0	0	0	0	0	0	0

Bit number	Bit Mnemonic	Description
11~4	<b>ADCV[11: 4]</b>	The high 8-bit value of ADC conversion value
3~0	<b>ADCV[3: 0]</b>	Low 4 bits of ADC conversion value

**IE (A8H) Interrupt Enable Register (read/write)**

Bit number	7	6	5	4	3	2	1	0
Bit Mnemonic	EA	EADC	ET2	-	ET1	EINT1	ET0	EINT0
R/W	R/W	R/W	R/W	-	R/W	R/W	R/W	R/W
POR	0	0	0	x	0	0	0	0

Bit number	Bit Mnemonic	Description
6	<b>EADC</b>	ADC interrupt enable control 0: Do not allow EOC/ADCIF to generate interrupts 1: Enable EOC/ADCIF to generate interrupt



**IP (B8H) Interrupt Priority Control Register (read/write)**

Bit number	7	6	5	4	3	2	1	0
Bit Mnemonic	-	IPADC	IPT2	-	IPT1	IPINT1	IPT0	IPINT0
R/W	-	R/W	R/W	-	R/W	R/W	R/W	R/W
POR	x	0	0	x	0	0	0	0

Bit number	Bit Mnemonic	Description
6	<b>IPADC</b>	ADC interrupt priority selection 0: Set the interrupt priority of ADC to "low" 1: Set the interrupt priority of ADC to "High"

**17.2 ADC Conversion Steps**

The actual operation steps required for the user to perform ADC conversion are as follows:

- ① Set the ADC input pin; (set the bit corresponding to AINx as ADC input, usually the ADC pin will be fixed in advance);
- ② Set ADC reference voltage Vref, set the frequency used for ADC conversion;
- ③ Enable the ADC module power supply;
- ④ Select ADC input channel; (set ADCIS bit, select ADC input channel);
- ⑤ Start ADCS and start conversion;
- ⑥ Wait for EOC/ADCIF=1. If the ADC interrupt is enabled, the ADC interrupt will be generated. The user needs to clear the EOC/ADCIF flag by software;
- ⑦ Get 12-bit data from ADCVH and ADCVL, first high bit and then low bit, one conversion is completed;



⑧ If you do not change the input channel, repeat steps 5~7 for the next conversion.

**Note:** Before setting IE[6] (EADC), the user is better to clear EOC/ADCIF with software, and also clear the EOC/ADCIF when the ADC interrupt service routine is executed to avoid continuous ADC interrupts. .

## 18 High Sensitivity TouchKey Circuits

The SC95F857X has a 27-channel high sensitivity capacitive touch circuit. Its features are as follows:

1. High sensitivity mode can be adapted to touch applications requiring high sensitivity, such as spacer button touch control and proximity induction
2. It can realize 27 touch control keys and derivative functions
3. High flexibility to develop software library support, low development difficulty
4. Automated debugging software support, intelligent development
5. The touch module can work in the low-power mode under the MCU Stop mode

### 18.1 Power Consumption of TouchKey Circuits

The SC95F857X allows touch scanning to be enabled in STOP Mode: this approach can reduce the overall power consumption of the MCU for touch applications with low-power requirements.

Users can understand that the touch circuit of SC95F857X has two power consumption modes:

1. Normal operation mode
2. Low-power operation mode

The two power consumption modes are defined as follows:

instructions	Normal operation mode	Low-power operation mode
CPU	RUN (Normal mode)	Stop (STOP Mode)
Touch the circuit	RUN	RUN

**Note:** Users can realize the required touch functions quickly and simply by using the touch button library file provided by SinOne (which can be downloaded from the official website of SinOne).



## 19 CRC hardware Module

The SC95F857X has a built-in hardware CRC module. During the CRC execution calculation, the CPU keeps the program counter. After the CRC calculation is completed, the program counter continues to execute the following instructions.

The module has two calculation modes:

### Hardware CRC mode 1: CRC operation processing on specified data:

Write the data needed for CRC calculation to the CRC data register CRCREG. When the CRC calculation result needs to be read, read it out from CRCDRn (n = 0~3).

CRC calculation for a single byte requires 8 system clocks, namely 0.25µs@32 MHz.

### Hardware CRC mode 2: CRC calculation processing for APROM:

It can be used to generate the 32-bit CRC value of APROM (ie 32 Kbytes Flash ROM) in real time. This value is compared with the theoretical value to monitor whether the content of the program area is correct. The theoretical value of CRC does not need to be calculated by the user. The burning software will automatically complete the calculation according to the loaded code and Code area setting items and write the 4 bytes CRC32 calculation result into the CRC result storage area through the programmer during burning. The specific operation For the method, please refer to "User Manual of SinOne Development Mass Production Tool".

It takes about 8.3ms@32 MHz to calculate CRC for 32 Kbytes APROM.

Note: Mode 2 is not valid when starting hardware CRC in LDROM.

### The hardware CRC parameter model of SC95F857X:

CRC algorithm name	CRC-32/MPEG-2
Polynomial formula	$x^{32}+x^{26}+x^{23}+x^{22}+x^{16}+x^{12}+x^{11}+x^{10}+x^8+x^7+x^5+x^4+x^2+x+1$
Data width	32bit
Initial value	0xFFFFFFFF
XOR value	0x00000000
Input value inversion	false
Output value inversion	false
LSB/MSB	MSB

**CRC Precautions for use:**

1. CRCnDRn write data and read data are not the same;
2. The CRC value calculated by the hardware is the 32-bit CRC check value of the data in the entire program area (note that the IAP area is not included here!). If there is a residual value after the user's last operation in the address unit, it will cause the CRC value to be inconsistent with the theoretical value. Therefore, it is recommended that the user erase the entire Flash ROM before programming the code to ensure that the CRC value is consistent with the theoretical value;
3. The hardware CRC calculation range does not include the IAP area;

**19.1 CRC Check Operation Related Registers****OPERCON (EFH) Operation Control Register (read/write)**

Bit number	7	6	5	4	3	2	1	0
Bit Mnemonic	OPERS	MD	-	-	-	-	CRCRST	CRCSTA
R/W	R/W	R/W	-	-	-	-	R/W	R/W
POR	0	0	x	x	x	x	0	0

Bit number	Bit Mnemonic	Description
1	CRCRST	CRCnDR register reset (Q31~Q0) Write "1" to this bit to reset CRCnDR to all 1s
0	CRCSTA	CRC hardware calculation start bit Write "1" to this bit to start a check sum calculation. This bit can only be written with 1 to be valid.

The read and write operations of the CRC data register CRCnDRn (n = 0~3) are controlled by the two registers CRCINX and CRCREG. The specific position of each CRCnDRn is determined by CRCINX, as shown in the following table:



Symbol	Address	Description		POR
CRCINX	FCH	CRC pointer	CRCINX[7: 0]	00000000b
CRCREG	FDH	CRC register	CRCREG[7: 0]	nnnnnnnnb

Symbol	Address	Description	7	6	5	4	3	2	1	0
CRCR3	03H@FDH	CRC Data register 3	Q31	Q30	Q29	Q28	Q27	Q26	Q25	Q24
CRCR2	02H@FDH	CRC Data register 2	Q23	Q22	Q21	Q20	Q19	Q18	Q17	Q16
CRCR1	01H@FDH	CRC Data register 1	Q15	Q14	Q13	Q12	Q11	Q10	Q9	Q8
CRCR0	00H@FDH	CRC Data register 0	Q7	Q6	Q5	Q4	Q3	Q2	Q1	Q0

The related description of CRCRn (n = 0~3) bits is as follows:

Bit number	Bit Mnemonic	Description
Bit31~0	Qx (x = 0~31)	<p>Hardware CRC mode 1: CRC operation processing on specified data:</p> <ol style="list-style-type: none"> <li>1. You must write CRCRST first, reset CRCR to all 1</li> <li>2. When CRCREG is written, the hardware automatically calculates the CRC result and continues to store it in CRCR</li> <li>3. When needed, read the CRC calculation result instantly</li> </ol> <p>Hardware CRC mode 2: CRC calculation processing on APROM:</p> <ol style="list-style-type: none"> <li>1. Started by CRCSTA, at this time the CPU automatically enters IDLE</li> </ol>



		<p>2. Automatically reset CRCDR to all 1:</p> <p><b>The hardware CRC calculation range does not include the IAP area.</b> The calculation range of CRC is divided into four types according to the value of IAPS[1: 0]:</p> <ul style="list-style-type: none"> <li>① IAPS[1:0]=00(Flash ROM last 0K available for IAP): 0000H ~ before last 0K</li> <li>② IAPS[1:0]=01(Flash ROM last 1K available for IAP): 0000H ~ before last 1K</li> <li>③ IAPS[1:0]=10(Flash ROM last 2K available for IAP): 0000H ~ before last 2K</li> <li>④ IAPS[1:0]=11(Flash ROM all available for IAP): 0000H ~ All Flash ROM</li> </ul> <p>3. After the end, the CPU automatically exits IDLE, you can read the CRC calculation result</p> <p>Note: Write data and read data are not the same data.</p>
--	--	---

When operating CRC-related SFR, the CRCINX register stores the address of the relevant CRCTION register, and the CRCREG register stores the corresponding value.

Before reading CRCREG, you need to set CRCINX and then read it. After each reading, CRCINX automatically adds 1 (0~3 cycles).

**Hardware CRC mode 1 example: calculate CRC according to the data provided by the user**

```
#include "intrins.h"

xdata unsigned int i;

xdata unsigned long int CRC_Result = 0x00; // Verification result
unsigned char a[16] = {0x00,0x01,0x02,0x03,0x04,0x05,
0x06,0x07,0x08,0x09,0x0A,
0x0B,0x0C,0x0D,0x0E,0x0F}; // The value to be verified

typedef struct
{
char a3; // Highest address
```



```
char a2; // Second highest address
```

```
char a1; // Second lowest address
```

```
char a0; // Lowest address
```

```
}Value_Typedef;
```

```
typedef union
```

```
{
```

```
Value_Typedef reg;
```

```
unsigned long int result; // Final Results
```

```
}Result_Typedef;
```

```
Result_Typedef CRC_Result;
```

```
EA = 0; // Disable the global interrupt
```

```
OPERCON |= 0x02; // Start software inspection
```

```
_nop(); // At least 12 NOP instructions
```

```
_nop();
```

```
_nop();
```

```
_nop();
```

```
_nop();
```

```
_nop();
```

```
_nop();
```

```
_nop();
```

```
_nop();
```

```
_nop();
```

```
_nop();
```

```
_nop();
```

```
_nop();
```

```
_nop();
```

```
for(i=0; i<16; i++)
```



```
{
CRCREG = a[i]; // Calculated value
_nop_(); // At least 12 NOP instructions
_nop_();
_nop_();
_nop_();
_nop_();
_nop_();
_nop_();
_nop_();
_nop_();
_nop_();
_nop_();
_nop_();
_nop_();
_nop_();
_nop_();
_nop_();
}
CRCINX = 0x00;
CRC_Result.reg.a0 = CRCREG;
CRC_Result.reg.a1 = CRCREG;
CRC_Result.reg.a2 = CRCREG;
CRC_Result.reg.a3 = CRCREG;
temp = CRC_Result.result; // Get results
EA = 1; // Enable global interrupt
```

**Hardware CRC mode 2 routines: generate APROM CRC in real time**

```
#include "intrins.h"
typedef struct
{
char a3; // Highest address
```





```
char a2; // Second highest address
```

```
char a1; // Second lowest address
```

```
char a0; // Lowest address
```

```
}Value_Typedef;
```

```
typedef union
```

```
{
```

```
Value_Typedef reg;
```

```
unsigned long int result; //Final Results
```

```
}Result_Typedef;
```

```
unsigned long int temp = 0x00;
```

```
Result_Typedef CRC_Result;
```

```
EA = 0; // Disable global interrupts
```

```
OPERCON |= 0x01; // Start hardware verification
```

```
_nop(); // At least 12 NOP instructions
```

```
_nop();
```

```
_nop();
```

```
_nop();
```

```
_nop();
```

```
_nop();
```

```
_nop();
```

```
_nop();
```

```
_nop();
```

```
_nop();
```

```
_nop();
```

```
_nop();
```

```
CRCINX = 0x00;
```



```
CRC_Result.reg.a0 = CRCREG;  
CRC_Result.reg.a1 = CRCREG;  
CRC_Result.reg.a2 = CRCREG;  
CRC_Result.reg.a3 = CRCREG;  
temp = CRC_Result.result;    // Get results  
EA = 1;                      // Enable global interrupt
```

**Note: It is prohibited to write values other than the CRC register address to the CRCINX register! Otherwise it will cause abnormal system operation!**

Preliminary



## 20 Multiplier-Divider Unit (MDU)

The SC95F857X provides a 16-bit hardware multiplier and divider, which consists of extended accumulators EXA0~EXA3, extended B register EXB and operation control register OPERCON. It can replace software for 16-bit x 16-bit multiplication and 32-bit/16-bit division.

Symbol	Address	Description	7	6	5	4	3	2	1	0	POR
EXA0	E9H	Extended Accumulator 0	EXA [7: 0]								0000000b
EXA1	EAH	Extended Accumulator 1	EXA [15: 8]								0000000b
EXA2	EBH	Extended Accumulator 2	EXA [23: 16]								0000000b
EXA3	ECH	Extended Accumulator 3	EXA [31: 24]								0000000b
EXBL	EDH	Extended B register L	EXB [7: 0]								0000000b
EXBH	EEH	Extended B register H	EXB [15: 8]								0000000b

### OPERCON (EFH) Operation control register (read/write)

Bit number	7	6	5	4	3	2	1	0
Bit Mnemonic	OPERS	MD	-	-	-	-	CRCRST	CRCSTA
R/W	R/W	R/W	-	-	-	-	R/W	R/W



POR	0	0	x	x	x	x	0	0
-----	---	---	---	---	---	---	---	---

Bit number	Bit Mnemonic	Description																																			
7	<b>OPERS</b>	<p>Multiplier-divider operation start trigger control (Operater Start)</p> <p>Write "1" to this bit to start a multiplication and division calculation, that is, this bit is just the trigger signal for the multiplication and division to start calculation. When the bit is zero, it means that the calculation has been completed. This bit can only be written to 1 valid.</p>																																			
6	<b>MD</b>	<p>Multiplication and division</p> <p>0: Multiplication operation. The multiplicand and multiplier are written and the product is read as follows:</p> <table border="1" style="margin-left: 20px;"> <thead> <tr> <th>Byte Operand</th> <th>Byte 3</th> <th>Byte 2</th> <th>Byte 1</th> <th>Byte 0</th> </tr> </thead> <tbody> <tr> <td>multiplicand 16bit</td> <td>-</td> <td>-</td> <td>EXA1</td> <td>EXA0</td> </tr> <tr> <td>multiplier 16bit</td> <td>-</td> <td>-</td> <td>EXBH</td> <td>EXBL</td> </tr> <tr> <td>multiplier 32bit</td> <td>EXA3</td> <td>EXA2</td> <td>EXA1</td> <td>EXA0</td> </tr> </tbody> </table> <p>1: Divide operation, write the dividend and divisor, read the quotient and remainder as follows:</p> <table border="1" style="margin-left: 20px;"> <thead> <tr> <th>Byte Operand</th> <th>Byte 3</th> <th>Byte 2</th> <th>Byte 1</th> <th>Byte 0</th> </tr> </thead> <tbody> <tr> <td>dividend 32bit</td> <td>EXA3</td> <td>EXA2</td> <td>EXA1</td> <td>EXA0</td> </tr> <tr> <td>divisor 16bit</td> <td>-</td> <td>-</td> <td>EXBH</td> <td>EXBL</td> </tr> </tbody> </table>	Byte Operand	Byte 3	Byte 2	Byte 1	Byte 0	multiplicand 16bit	-	-	EXA1	EXA0	multiplier 16bit	-	-	EXBH	EXBL	multiplier 32bit	EXA3	EXA2	EXA1	EXA0	Byte Operand	Byte 3	Byte 2	Byte 1	Byte 0	dividend 32bit	EXA3	EXA2	EXA1	EXA0	divisor 16bit	-	-	EXBH	EXBL
Byte Operand	Byte 3	Byte 2	Byte 1	Byte 0																																	
multiplicand 16bit	-	-	EXA1	EXA0																																	
multiplier 16bit	-	-	EXBH	EXBL																																	
multiplier 32bit	EXA3	EXA2	EXA1	EXA0																																	
Byte Operand	Byte 3	Byte 2	Byte 1	Byte 0																																	
dividend 32bit	EXA3	EXA2	EXA1	EXA0																																	
divisor 16bit	-	-	EXBH	EXBL																																	



		quotient 32bit	EXA3	EXA2	EXA1	EXA0
		remainder 16bit	-	-	EXBH	EXBL

Note:

1. It is forbidden to perform read or write operations on the EXA and EXB data registers during the calculation operation.
2. The time required for the operation conversion of the multiplier-divider is 16/fsys.



## 21 Electrical Characteristics

### 21.1 Absolute Maximum Ratings

Symbol	Parameter	Min Value	Max Value	UNIT
VDD/VSS	DC supply voltage	-0.3	5.5	V
Voltage ON any Pin	Input/output voltage of any pin	-0.3	V <sub>DD</sub> +0.3	V
T <sub>A</sub>	Operating temperature	-40	105	°C
T <sub>STG</sub>	Storage temperature	-55	125	°C
I <sub>VDD</sub>	Current value flowing through VDD	-	200	mA
I <sub>VSS</sub>	Current value flowing through VSS	-	200	mA

### 21.2 Recommended Operating Conditions

Symbol	Parameter	Min Value	Max Value	UNIT	System Clock frequency
V <sub>DD</sub>	Operating Voltage	2.0	5.5	V	32 MHz
T <sub>A</sub>	Operating temperature	-40	105	°C	



### 21.3 Flash ROM Characteristics

Symbol	Parameter	Min Value	Typical Values	Max Value	UNIT	Condition
N <sub>END</sub>	Wipe the number	100,000	-	-	Cycle s	
T <sub>DR</sub>	Data Retention Time	100	-	-	Years	T <sub>A</sub> = +25°C
T <sub>S-Erase</sub>	Sector Erase Time	-	5	-	ms	T <sub>A</sub> = +25°C
T <sub>Erase</sub>	All Chip Erase Time	30	-	40	ms	T <sub>A</sub> = +25°C
T <sub>Write</sub>	Byte Program Time	-	30	-	μs	T <sub>A</sub> = +25°C

### 21.4 DC Characteristics

(V<sub>DD</sub> = 5V, T<sub>A</sub> = +25°C, Unless otherwise specified)

Symbol	Parameter	Minimum	Typical value	Maximum	Unit	Test Conditions
Current						
I <sub>op1</sub>	Operating current	-	4.5	-	mA	f <sub>sys</sub> =32 MHz
I <sub>op2</sub>	Operating current	-	3	-	mA	f <sub>sys</sub> =16 MHz
I <sub>op3</sub>	Operating current	-	2	-	mA	f <sub>sys</sub> =8 MHz
I <sub>op4</sub>	Operating current	-	1.5	-	mA	f <sub>sys</sub> =4 MHz



$I_{pd1}$	Stand-by current (Power Down Mode)	-	2	-	$\mu A$	
$I_{IDL1}$	Stand-by current (IDLE Mode)	-	3	-	mA	$f_{sys}=32$ MHz
$I_{BTM}$	Base Timer Operating current	-	1.3	3	$\mu A$	BTMFS[3: 0]= 1000 Generate an interrupt every 4.0 seconds
$I_{WDT}$	WDT current	-	1.3	3	$\mu A$	WDTCKS[2: 0]= 000 WDT overflow time 500ms
$I_{TK1}$	High sensitivity TK operating current	-	0.8	1.2	mA	
<b>IO port characteristics</b>						
$V_{IH1}$	Input high voltage	$0.7V_{DD}$	-	$V_{DD}+0.3$	V	GPIO
$V_{IL1}$	Input low voltage	-0.3	-	$0.3V_{DD}$	V	
$V_{IH2}$	Input high voltage	$0.8V_{DD}$	-	$V_{DD}$	V	Schmitt trigger input: RST
$V_{IL2}$	Input low voltage	-0.2	-	$0.2V_{DD}$	V	tCK / tDIO UART0 input RX0 USCI signal input port INT0~2





						PWM fault detection FLT Timer clock input port Timer capture port
I <sub>OL1</sub>	Output low current	-	27	-	mA	V <sub>Pin</sub> =0.4V
I <sub>OL2</sub>	Output low current	-	50	-	mA	V <sub>Pin</sub> =0.8V
I <sub>OHSP10A</sub>	SPI0 Signal port: USCK0 (P05) USTX0 (P20) USRX0 (P21)  Output high current @ V <sub>Pin</sub> =4.3V	-	22	-	mA	Only applicable to SPI0 data transmission
I <sub>OH1</sub>	Output high current @ V <sub>Pin</sub> =4.3V	-	11	-	mA	Pxyz=0, I <sub>OH</sub> level 0
		-	9	-	mA	Pxyz=1, I <sub>OH</sub> level 1
		-	6	-	mA	Pxyz=2, I <sub>OH</sub> level 2
		-	3	-	mA	Pxyz=3, I <sub>OH</sub> level 3
I <sub>OHSP10B</sub>	SPI0 Signal port: USCK0 (P05) USTX0 (P20) USRX0 (P21)  Output high current @ V <sub>Pin</sub> =4.7V	-	12	-	mA	Only applicable to SPI0 data transmission
I <sub>OH2</sub>	Output high current @ V <sub>Pin</sub> =4.7V	-	6	-	mA	Pxyz=0, I <sub>OH</sub> level 0
		-	4	-	mA	Pxyz=1, I <sub>OH</sub> level 1
		-	3	-	mA	Pxyz=2, I <sub>OH</sub> level 2



		-	1	-	mA	Pxyz=3, I <sub>OH</sub> level 3
R <sub>PH1</sub>	Pull-up resistor	-	30	-	kΩ	

**(V<sub>DD</sub> = 3.3V, T<sub>A</sub> = +25°C, Unless otherwise specified)**

Symbol	Parameters	Min Value	Typical value	Max Value	Unit	Test condition
Current						
I <sub>op5</sub>	Operating current	-	4	-	mA	f <sub>sys</sub> =32 MHz
I <sub>op6</sub>	Operating current	-	3	-	mA	f <sub>sys</sub> =16 MHz
I <sub>op7</sub>	Operating current	-	2	-	mA	f <sub>sys</sub> =8 MHz
I <sub>op8</sub>	Operating current	-	1.5	-	mA	f <sub>sys</sub> =4 MHz
I <sub>pd2</sub>	Stand-by current(Power Down Mode)	-	2	-	μA	
I <sub>DL2</sub>	Stand-by current (IDLE Mode)	-	3	-	mA	f <sub>sys</sub> =32 MHz
I <sub>TK2</sub>	High sensitivity TK operating current	-	0.7	1.0	mA	
IO port characteristics						
V <sub>IH3</sub>	Input high voltage	0.7V <sub>DD</sub>	-	V <sub>DD</sub> +0.3	V	
V <sub>IL3</sub>	Input low voltage	-0.3	-	0.3V <sub>DD</sub>	V	
V <sub>IH4</sub>	Input high voltage	0.8V <sub>DD</sub>	-	V <sub>DD</sub>	V	



$V_{IL4}$	Input low voltage	-0.2	-	$0.2V_{DD}$	V	Schmitt trigger input: RST  tCK / tDIO  UART0 input RX0  USCI signal input port  INT0~2  PWM fault detection FLT  Timer clock input port  Timer capture port
$I_{OL3}$	Output low current	-	20	-	mA	$V_{Pin}=0.4V$
$I_{OL4}$	Output low current	-	35	-	mA	$V_{Pin}=0.8V$
$I_{OHSPI0C}$	SPI0 Signal port: USCK0 (P05) USTX0 (P20) USRX0 (P21)  Output high current @ $V_{Pin}=3.0V$	-	8.5	-	mA	Only applicable to SPI0 data transmission
$I_{OH3}$	Output high current @ $V_{Pin}=3.0V$	-	4	-	mA	$P_{xyz}=0, I_{OH}$ level 0
		-	3	-	mA	$P_{xyz}=1, I_{OH}$ level 1
		-	2	-	mA	$P_{xyz}=2, I_{OH}$ level 2
		-	1	-	mA	$P_{xyz}=3, I_{OH}$ level 3



R <sub>PH2</sub>	Pull-up resistor	-	55	-	kΩ	
------------------	------------------	---	----	---	----	--

## 21.5 AC Characteristics

(V<sub>DD</sub> = 2.4V ~ 5.5V, T<sub>A</sub> = 25°C, Unless otherwise indicated)

Symbol	Parameters	Min Value	Typical Value	Max Value	Unit	Test condition
T <sub>OSC1</sub>	External high frequency oscillator start-up time	-	9	-	ms	External 16MHz crystal oscillator
T <sub>OSC2</sub>	External high frequency oscillator start-up time	-	18	-	ms	External 8MHz crystal oscillator
T <sub>OSC3</sub>	External high frequency oscillator start-up time	-	35	-	ms	External 4MHz crystal oscillator
T <sub>POR</sub>	Power On Reset time	-	15	-	ms	
T <sub>PDW</sub>	Power Down mode wake-up time	-	60	130	μs	
T <sub>Reset</sub>	Reset pulse width	18	-	-	μs	Low level valid
T <sub>LVR</sub>	LVR buffeting time	-	30	-	μs	
f <sub>HRC</sub>	RC oscillation stability	31.68	32	32.32	MHz	V <sub>DD</sub> =2.0~5.5V T <sub>A</sub> =-40~105 °C

## 21.6 ADC Characteristics

(T<sub>A</sub> = 25°C, Unless otherwise indicated)

Symbol	Parameters	Min Value	Typical Value	Max Value	Unit	Condition
--------	------------	-----------	---------------	-----------	------	-----------

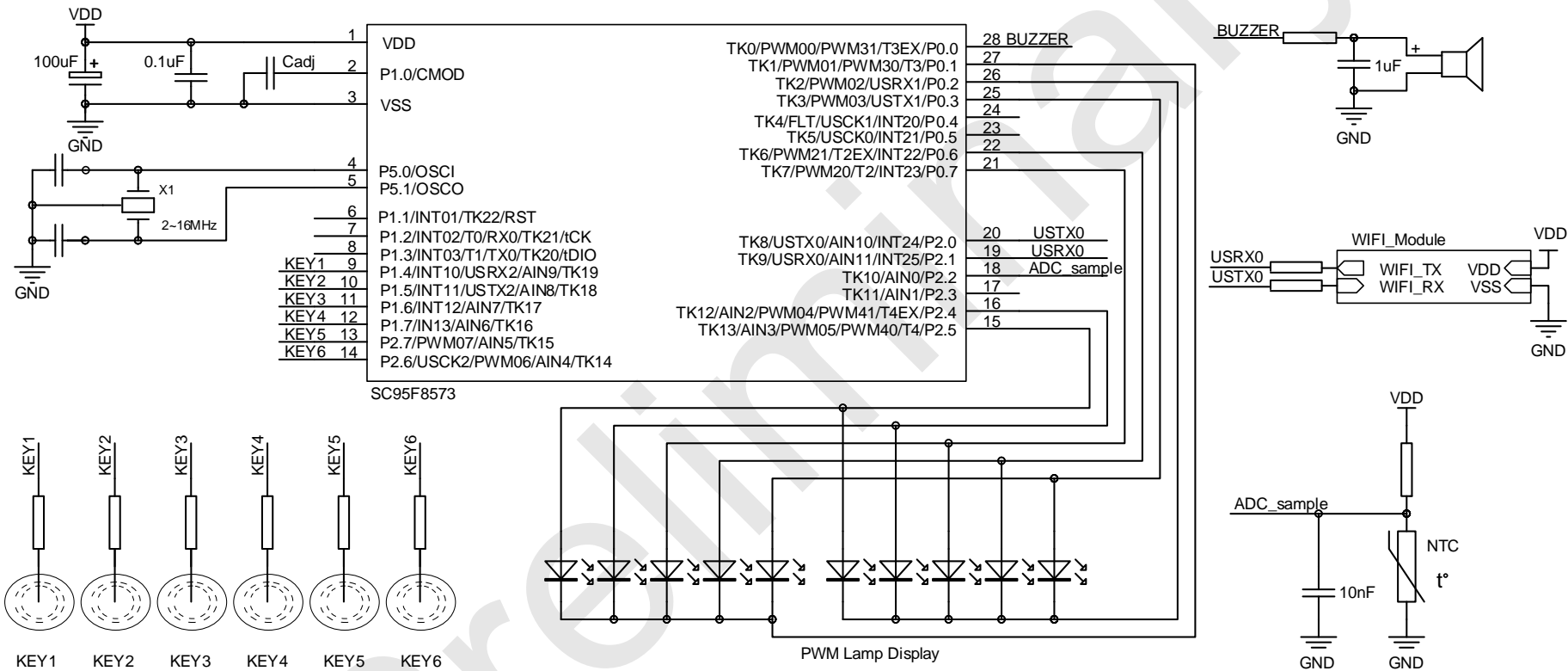


V <sub>AD1</sub>	Supply voltage 1	2.7	5.0	5.5	V	V <sub>ref</sub> = 2.048V
V <sub>AD2</sub>	Supply voltage 2	2.4	5.0	5.5	V	V <sub>ref</sub> = 1.024V or V <sub>ref</sub> = V <sub>DD</sub>
V <sub>AD3</sub>	Power supply voltage 3	2.7	5.0	5.5	V	V <sub>ref</sub> = 2.4V
V <sub>REF1</sub>	Internal reference 2.048V	2.028	2.048	2.070	V	V <sub>DD</sub> = 2.7~5.5V
V <sub>REF2</sub>	Internal reference 1.024V	1.004	1.024	1.044	V	V <sub>DD</sub> = 2.0~5.5V
V <sub>REF3</sub>	Internal reference 2.4V	2.37	2.40	2.45	V	V <sub>DD</sub> = 2.7~5.5V
N <sub>R</sub>	Precision	-	12	-	bit	GND ≤ V <sub>AIN</sub> ≤ V <sub>DD</sub>
V <sub>AIN</sub>	ADC input voltage	GND	-	V <sub>DD</sub>	V	
R <sub>AIN</sub>	ADC input resistance	1	-		MΩ	V <sub>IN</sub> =5V
I <sub>ADC1</sub>	ADC conversion current 1	-	-	2	mA	ADC module open V <sub>DD</sub> =5V
I <sub>ADC2</sub>	ADC conversion current 2	-	-	1.8	mA	ADC module open V <sub>DD</sub> =3.3V
DNL	Differential Non-Linearity	-	-	±3	LSB	V <sub>DD</sub> =5V V <sub>REF</sub> =5V
INL	Integral Non-Linearity	-	-	±3	LSB	
E <sub>Z</sub>	Offset error	-	±4	-	LSB	
E <sub>F</sub>	Full scale error	-	±4	-	LSB	



E <sub>AD</sub>	Absolute Accuracy	-	±4	-	LSB	
T <sub>ADC1</sub>	ADC conversion time 1	-	1.1	1.4	μs	f <sub>sys</sub> =32 MHz LOWSP[2: 0] = 100
T <sub>ADC2</sub>	ADC conversion time 2	-	1.2	1.5	μs	f <sub>sys</sub> =32 MHz LOWSP[2: 0] = 101
T <sub>ADC3</sub>	ADC conversion time 3	-	1.5	1.9	μs	f <sub>sys</sub> =32 MHz LOWSP[2: 0] = 110
T <sub>ADC4</sub>	ADC conversion time 4	-	2.0	2.6	μs	f <sub>sys</sub> =32 MHz LOWSP[2: 0] = 111

### 22 Application Circuit

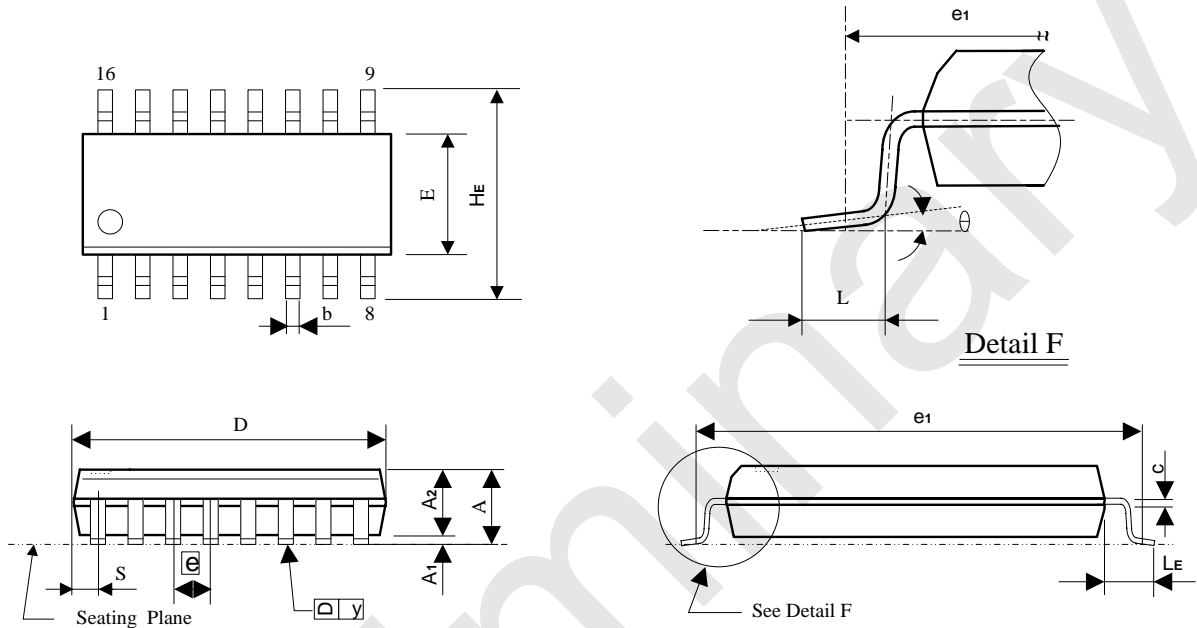




**23 Package Information**

SC95F8571M16U

SOP16L(150mil) Overall Dimensions Unit: mm



Symbol	mm		
	Min Value	Typical Value	Max Value
A	1.500	1.625	1.750
A1	0.050	0.1375	0.225
A2	1.30	1.45	1.55
b	0.38	0.43	0.48
c	0.20	0.23	0.26
D	9.70	9.90	10.10
E	3.70	3.90	4.10
HE	5.80	6.00	6.20
$e$	1.27(BSC)		
L	0.50	0.65	0.80





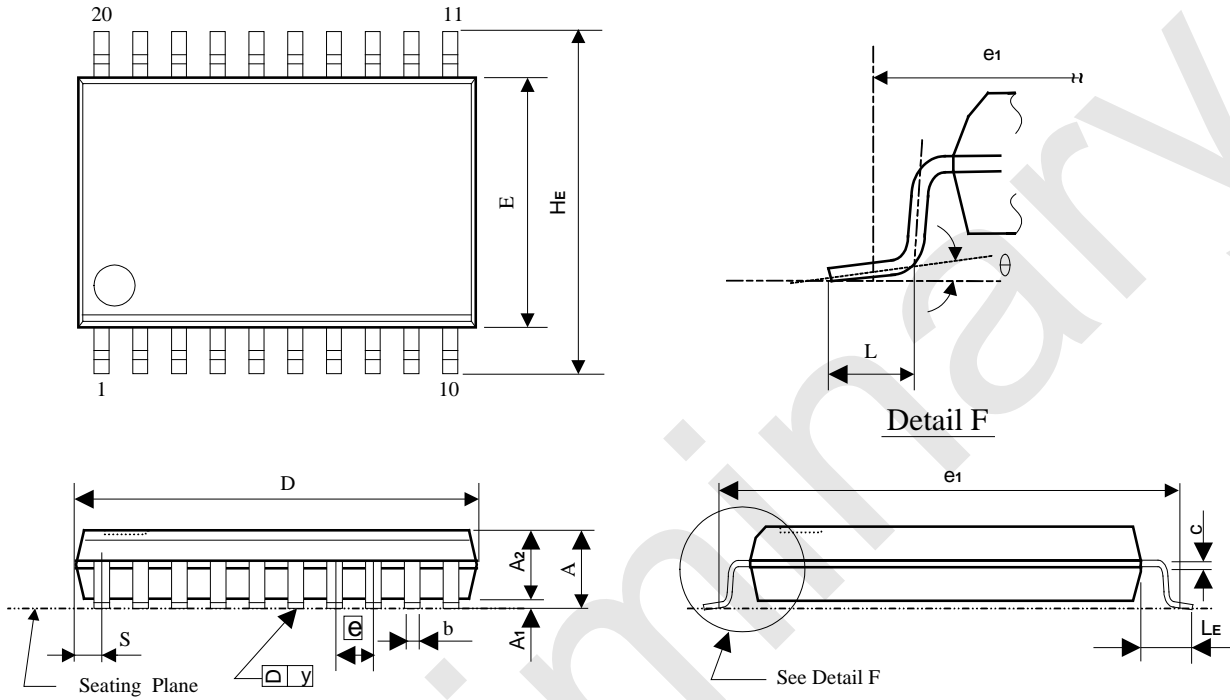
---

LE	0.95	1.05	1.15
$\theta$	0°	-	8°

Preliminary



TSSOP20L(300mil) Overall Dimensions Unit: mm



Symbol	mm		
	Min Value	Typical Value	Max Value
A	2.40	2.56	2.65
A1	0.100	0.200	0.300
A2	2.240	2.340	2.440
b	0.35	--	0.47
c	0.25	--	0.31
D	12.60	12.80	13.00
E	7.30	7.50	7.70
HE	10.100	10.300	10.500
e	1.27(BSC)		
L	0.700	0.850	1.000



---

LE	1.30	1.40	1.50
$\theta$	0°	-	8°

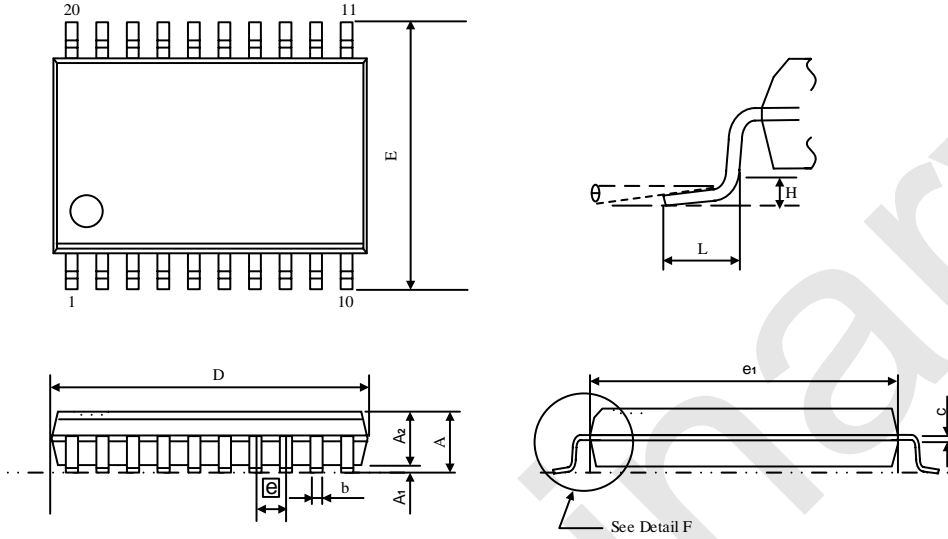
Preliminary



SC95F8572X20U

SOP20L Overall Dimensions

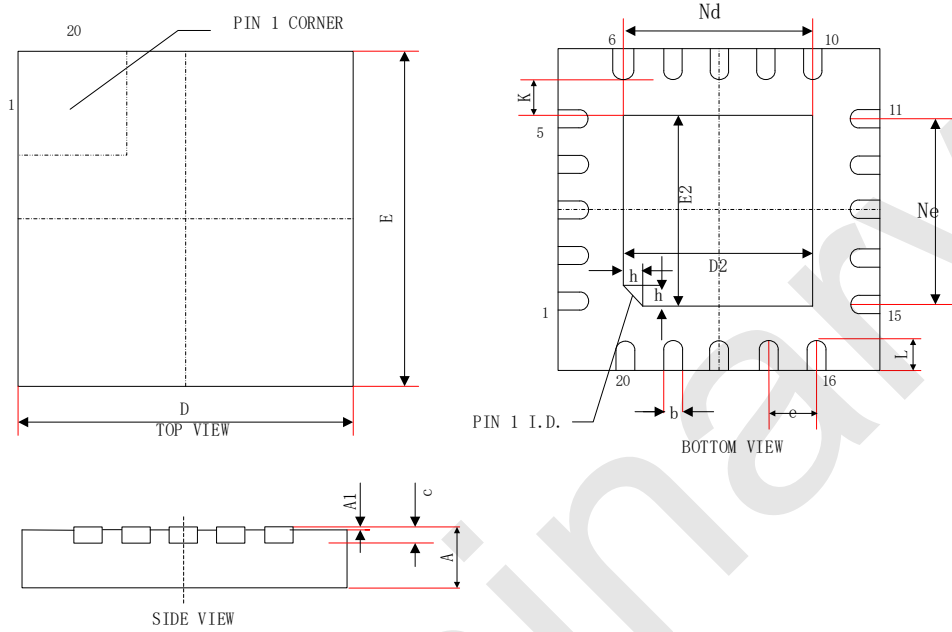
Unit: mm



Symbol	mm		
	Min Value	Typical Value	Max Value
A	-	-	1.200
A1	0.050	-	0.150
A2	0.800	-	1.050
b	0.190	-	0.300
c	0.090		
D	6.400	-	6.600
E	6.20	-	6.60
e1	4.300	-	4.500
$\bar{e}$	0.65(BSC)		
L	-	-	1.00
$\theta$	0°	-	8°
H	0.05	-	0.15



**QFN20 L(3\*3) Overall Dimensions Unit:mm**



Symbol	mm		
	Min Value	Typical Value	Max Value
A	0.50	0.55	0.60
A1	0	0.02	0.05
b	0.15	0.20	0.25
c	0.15REF		
D	2.90	3.00	3.10
D2	1.60	1.70	1.80
e	0.40BSC		
Ne	1.60BSC		
Nd	1.60BSC		
E	2.90	3.00	3.10
E2	1.60	1.70	1.80



---

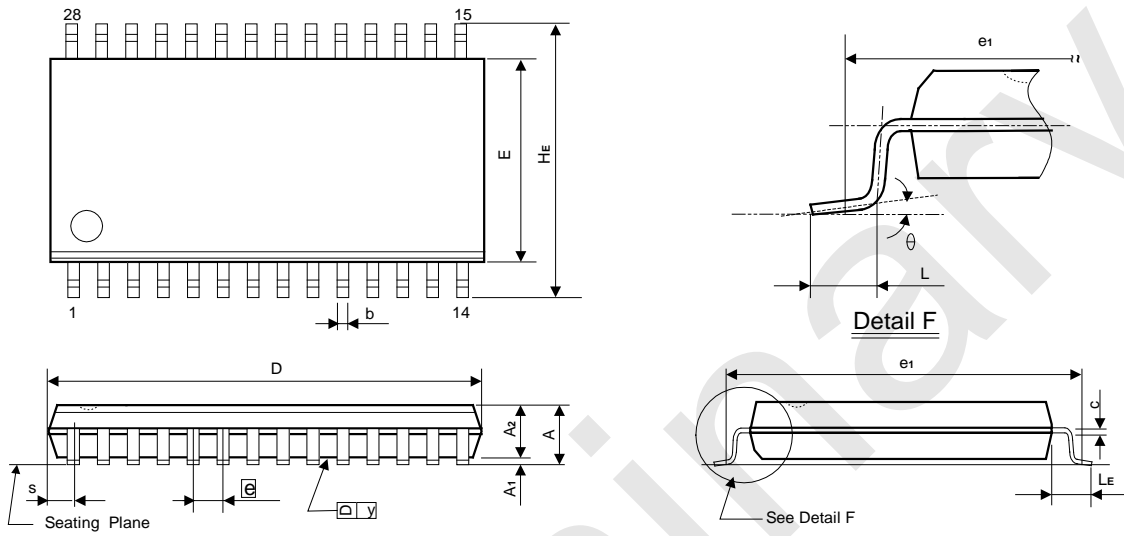
L	0.25	0.30	0.35
h	0.20	0.25	0.30
K	0.30	0.35	0.40

Preliminary



SC95F8573M28U

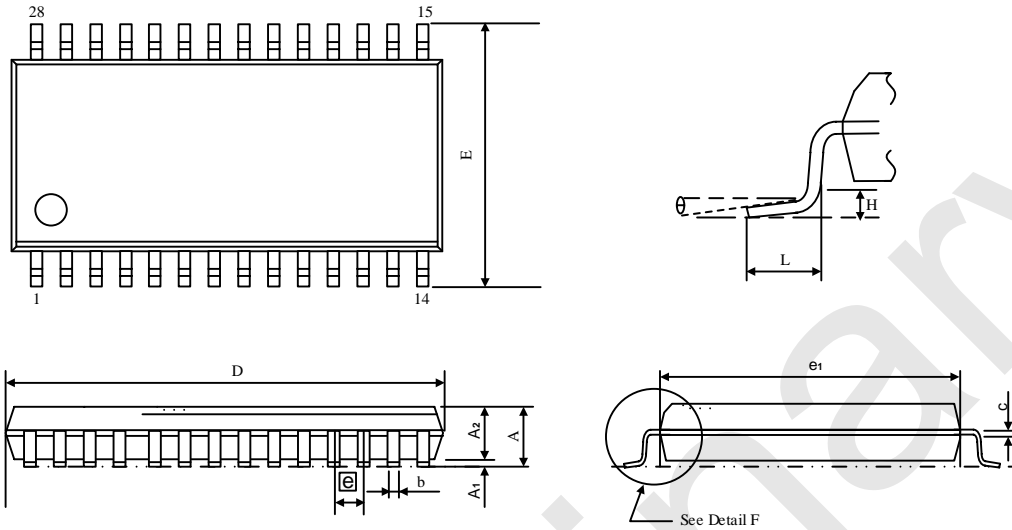
SOP28L(300mil) Overall Dimensions Unit: mm



Symbol	mm		
	Min Value	Typical Value	Max Value
A	2.40	2.56	2.65
A1	0.100	0.200	0.300
A2	2.240	2.340	2.440
b	0.39	---	0.48
C	0.254(BSC)		
D	17.80	18.00	18.20
E	7.30	7.50	7.70
HE	10.100	10.300	10.500
e	1.270(BSC)		
L	0.7	0.85	1.0
LE	1.3	1.4	1.5
θ	0°	-	8°



TSSOP28L Overall Dimensions Unit: mm

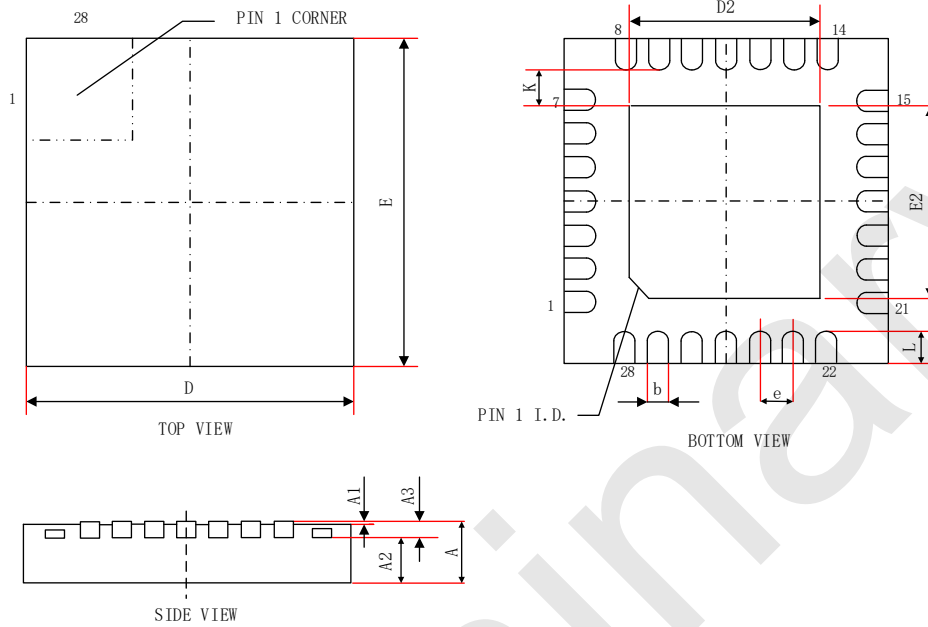


Symbol	mm		
	Min Value	Typical Value	Max Value
A	-	-	1.200
A1	0.050	-	0.150
A2	0.800	-	1.050
b	0.190	-	0.300
c	0.090	-	0.200
D	9.600	-	9.800
E	6.250	-	6.550
e1	4.300	-	4.500
e	0.65(BSC)		
L	-	-	1.0
θ	0°	-	8°
H	0.05	-	0.25





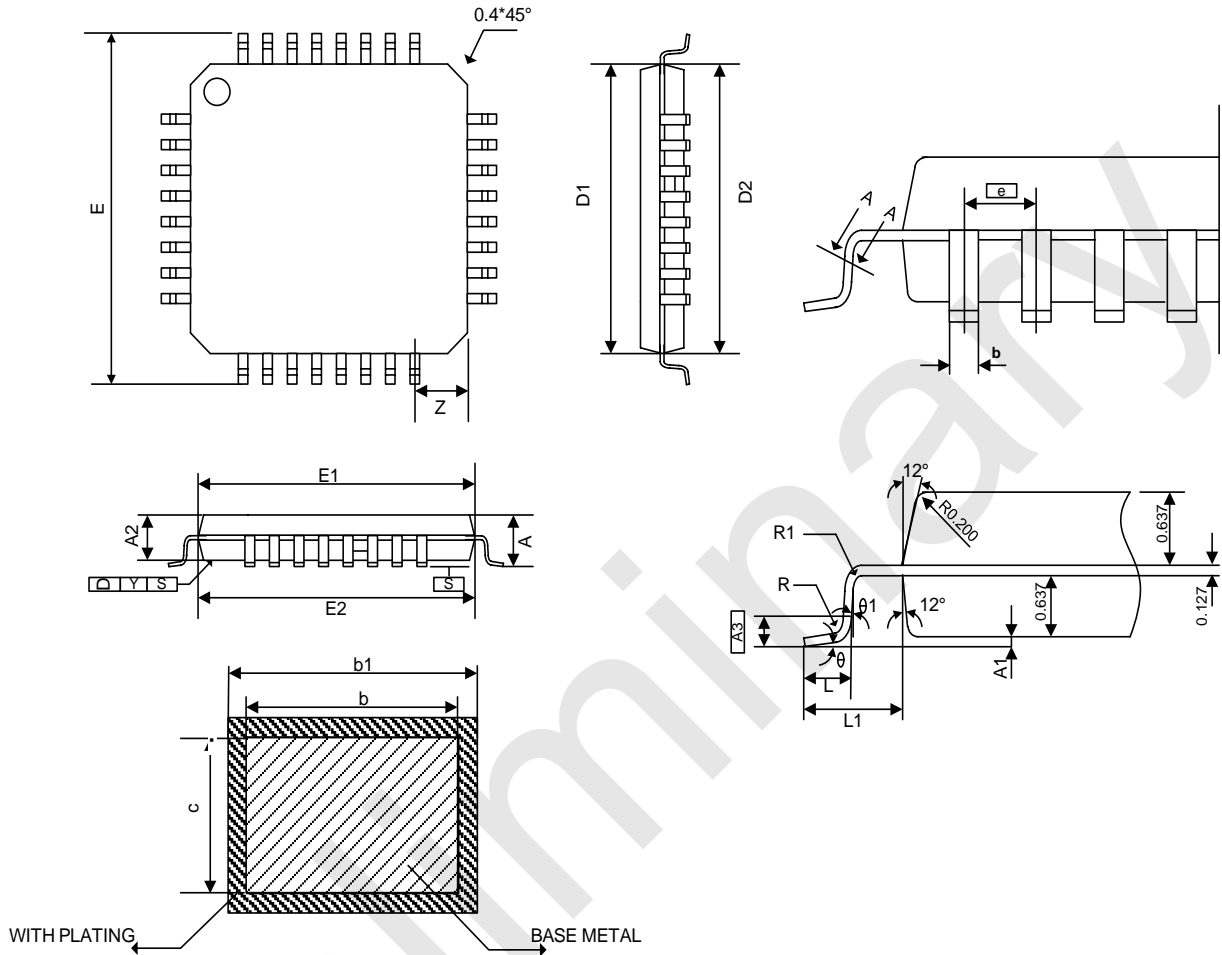
**QFN28 (4X4) Overall Dimensions Unit: mm**



Symbol	mm		
	Min Value	Typical Value	Max Value
A	0.7	0.75	0.8
A1	0	0.02	0.05
A2	-	0.55	-
A3	0.203 REF		
b	0.18	0.23	0.28
D	3.90	4.00	4.10
E	3.90	4.00	4.10
e	0.45 BSC		
D2	2.5	2.6	2.7
E2	2.5	2.6	2.7
L	0.25	0.35	0.45
K	0.35 REF		



**LQFP32 (7X7) Overall Dimensions Unit: mm**



Symbol	mm		
	Min Value	Typical Value	Max Value
A	1.45	1.55	1.65
A1	0.01	--	0.21
A2	1.30	1.4	1.5
A3	--	0.254	--
b	0.30	0.35	0.41
b1	0.31	0.37	0.43
c	0.12	0.13	0.14
D1	6.85	6.95	7.05
D2	6.90	7.00	7.10
E	8.80	9.00	9.20
E1	6.85	6.95	7.05
E2	6.90	7.00	7.10
e	--	0.8	--



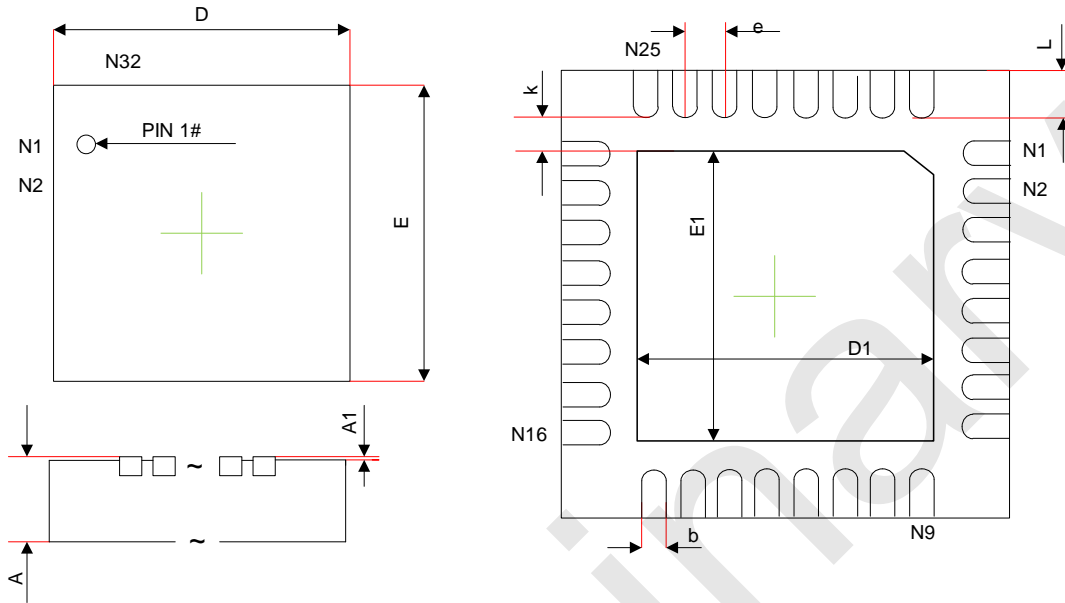
---

L	0.43	--	0.75
L1	0.90	1.0	1.10
R	0.1	--	0.25
R1	0.1	--	--
$\theta$	0°	--	10°
$\theta_1$	0°	--	--
y	--	--	0.1
Z	--	0.70	--

Preliminary



**QFN32 (5X5) Overall Dimensions Unit: mm**



Symbol	mm		
	Min Value	Typical Value	Max Value
A	0.70	0.75	0.80
A1	--	0.02	0.05
b	0.18	0.25	0.30
D	4.90	5.00	5.10
E	4.90	5.00	5.10
e	0.5 BSC		
k	0.4 REF		
D1	3.30	3.45	3.60
E1	3.30	3.45	3.60
L	0.30	0.40	0.50



## 24 Revision History

Revision	Changes	Date
V0.1	Initial Release.	September 2023

Preliminary



## Important Notice

Shenzhen SinOne Microelectronics Co., Ltd. (hereinafter referred to as SinOne) reserves the right to change, correct, enhance, modify and improve SinOne products, documents or services at any time without prior notice. Cytron considers the information provided to be accurate and reliable. The information in this document will be used in September 2023. In the actual production design, please refer to the latest data manual of each product and other relevant materials.

Preliminary